



Post System

## EMPIRE STATE POST - TOP MOUNT

- | The intuitive installation avoids frustration and makes you even faster
- | Including the KRONOS glass clamp
- | Completely pre-assembled post system

- | Modern design
- | Available with Ø 42.4 and 48.3 mm
- | Available in stainless steel V4A

# EMPIRE STATE POST

Top mount

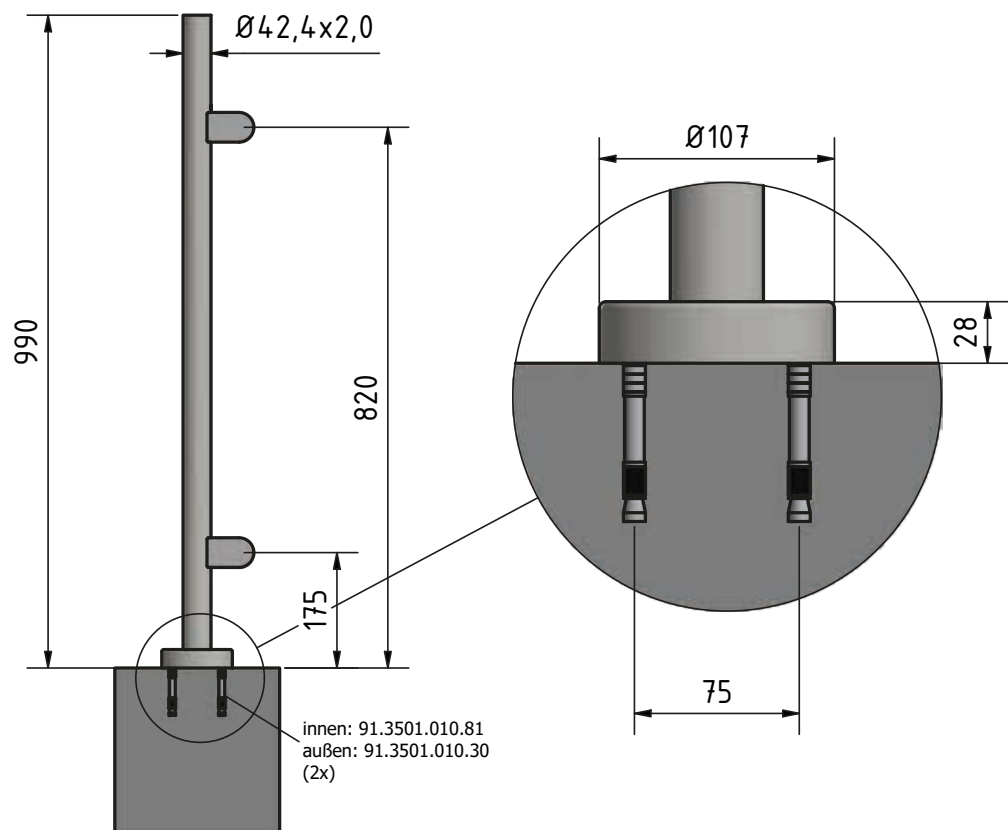
## ONLEVEL - NEXT LEVEL UP

Another innovative solution from **ONLEVEL**. The first completely pre-assembled post system for all-glass balustrade systems made of stainless steel! Quick and easy to mount for sure.

**ONLEVEL** makes things easy. All posts are prepared for installation. That is, the threads for fixing the clamps are already pre-drilled. In case of the "Extended Version", even the adjustable **KRONOS** clamps are pre-assembled. You easily save up to 40 minutes of installation time when compared to all other standard products.

## Essential Features

- | Modern design
- | Available with  $\varnothing$  42.4 and 48.3 mm
- | Available in stainless steel V4A



# OOHOHH NEW YORK - GREW UP IN A TOWN THAT IS FAMOUS...



The intuitive installation  
avoids frustration and  
makes you even faster.

Including the **KRONOS** glass  
clamp

Completely pre-assembled  
post system



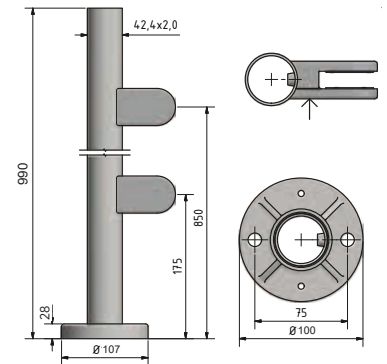
# EMPIRE STATE POST + KRONOS

## Empire State Post, pre-assembled with KRONOS left



- | Ø 42.4 x 2 mm
- | Height: 990 mm
- | Includes cover caps
- | Includes 2 pre-assembled glass clamps
- | Sales unit: 1 piece

Model 0610	AISI 304 (inside)	AISI 316 (outside)
Diameter	Art. no.	Art. no.
42.4	12.0610.422.21	12.0610.422.31

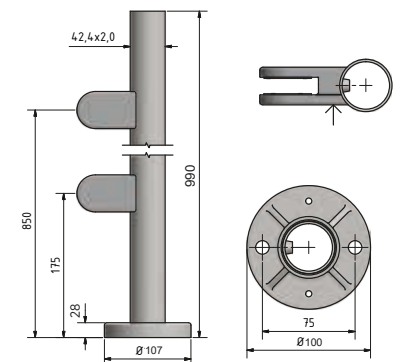


## Empire State Post, pre-assembled with KRONOS right



- | Ø 42.4 x 2 mm
- | Height: 990 mm
- | Includes cover caps
- | Includes 2 pre-assembled glass clamps
- | Sales unit: 1 piece

Model 0611	AISI 304 (inside)	AISI 316 (outside)
Diameter	Art. no.	Art. no.
42.4	12.0611.422.21	12.0611.422.31

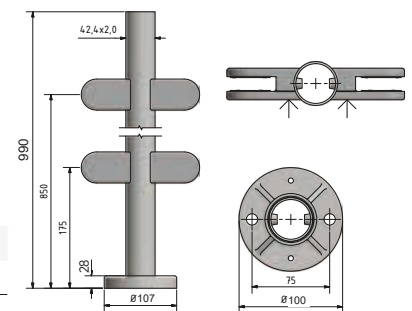


## Central Empire State Post, pre-assembled with KRONOS



- | Ø 42.4 x 2 mm
- | Height: 990 mm
- | Includes cover caps
- | Includes 4 pre-assembled glass clamps
- | Sales unit: 1 piece

Model 0612	AISI 304 (inside)	AISI 316 (outside)
Diameter	Art. no.	Art. no.
42.4	12.0612.422.21	12.0612.422.31

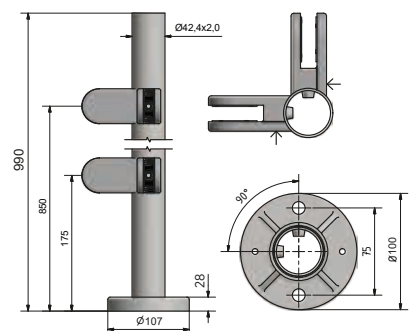


## Empire State Corner Post, pre-assembled with KRONOS inside



- | Ø 42.4 x 2 mm
- | Height: 990 mm
- | Includes cover caps
- | Includes 4 pre-assembled glass clamps
- | Sales unit: 1 piece

Model 0613	AISI 304 (inside)	AISI 316 (outside)
Diameter	Art. no.	Art. no.
42.4	12.0613.422.21	12.0613.422.31



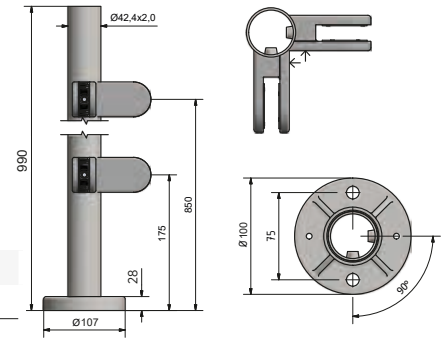
# EMPIRE STATE POST + KRONOS

## Empire State Corner Post, pre-assembled with KRONOS outside



- | Ø 42.4 x 2 mm
- | Height: 990 mm
- | Includes cover caps
- | Includes 4 pre-assembled glass clamps
- | Sales unit: 1 piece

Model 0614	AISI 304 (inside)	AISI 316 (outside)
Diameter	Art. no.	Art. no.
42.4	12.0614.422.21	12.0614.422.31



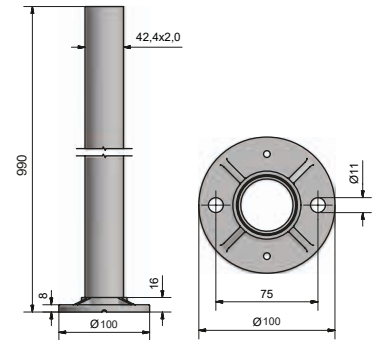
# EMPIRE STATE POST | HEIGHT 990 mm

## Empire State Post



- | Ø 42,4 x 2 mm
- | Height: 990 mm
- | Without threaded holes
- | Sales unit: 1 piece

Model 0600	AISI 304 (inside)	AISI 316 (outside)
Diameter	Art. no.	Art. no.
42.4	12.0600.422.21	12.0600.422.31

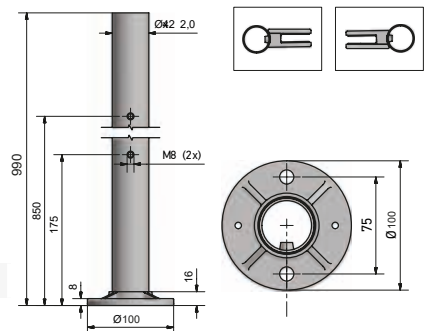


## Empire State End Post



- | Ø 42,4 x 2 mm
- | Height: 990 mm
- | With 2 M8 threaded holes
- | for use on the left and right
- | Sales unit: 1 piece

Model 0601	AISI 304 (inside)	AISI 316 (outside)
Diameter	Art. no.	Art. no.
42.4	12.0601.422.21	12.0601.422.31

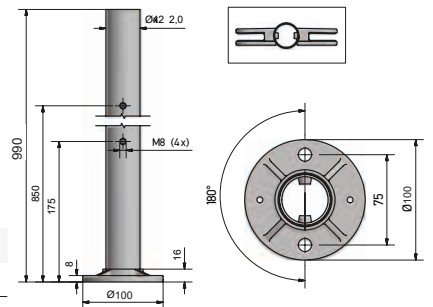


## Central Empire State End Post



- | Ø 42,4 x 2 mm
- | Height: 990 mm
- | With 2 M8 threaded holes each / 180°
- | Sales unit: 1 piece

Model 0602	AISI 304 (inside)	AISI 316 (outside)
Diameter	Art. no.	Art. no.
42.4	12.0602.422.21	12.0602.422.31

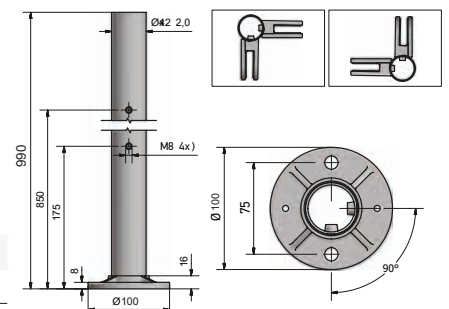


## Empire State Corner Post



- | Ø 42,4 x 2 mm
- | Height: 990 mm
- | With 2 M8 threaded holes each / 90°
- | suitable for interior and exterior applications
- | Sales unit: 1 piece

Model 0603	AISI 304 (inside)	AISI 316 (outside)
Diameter	Art. no.	Art. no.
42.4	12.0603.422.21	12.0603.422.31





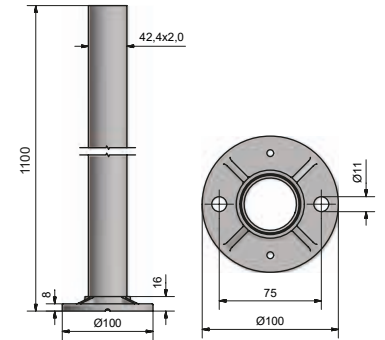
# EMPIRE STATE POST | HEIGHT 1100 mm

## Empire State Post



| Height: 1100 mm  
| Without threaded holes  
| Sales unit: 1 piece

Model 0620	AISI 304 (inside)	AISI 316 (outside)
Diameter	Art. no.	Art. no.
42.4	12.0620.422.21	12.0620.422.31
48.3	12.0620.482.21	12.0620.482.31

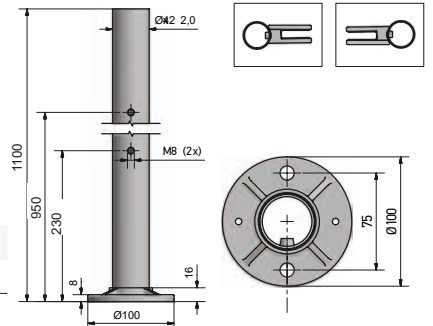


## Empire State End Post



| Height: 1100 mm  
| With 2 M8 threaded holes  
| for use on the left and right  
| Sales unit: 1 piece

Model 0621	AISI 304 (inside)	AISI 316 (outside)
Diameter	Art. no.	Art. no.
42.4	12.0621.422.21	12.0621.422.31
48.3	12.0621.482.21	12.0621.482.31

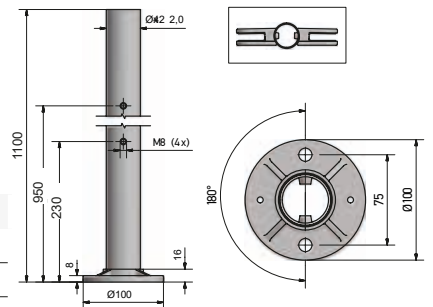


## Central Empire State Mid Post



| Height: 1100 mm  
| With 2 M8 threaded holes each / 180°  
| Sales unit: 1 piece

Model 0622	AISI 304 (inside)	AISI 316 (outside)
Diameter	Art. no.	Art. no.
42.4	12.0622.422.21	12.0622.422.31
48.3	12.0622.482.21	12.0622.482.31

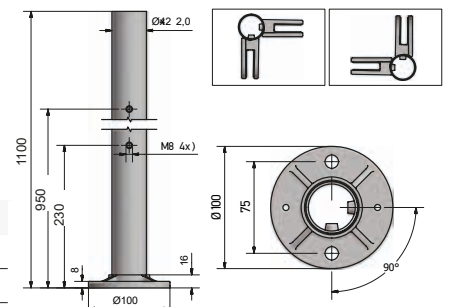


## Empire State Corner Post



| Height: 1100 mm  
| With 2 M8 threaded holes each / 90°  
| suitable for interior and exterior applications  
| Sales unit: 1 piece

Model 0623	AISI 304 (inside)	AISI 316 (outside)
Diameter	Art. no.	Art. no.
42.4	12.0623.422.21	12.0623.422.31
48.3	12.0623.484.21	12.0623.484.31

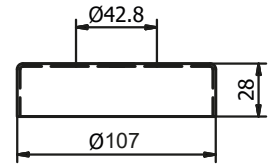


# EMPIRE STATE POST | ACCESSORIES

## Empire State Post Cover Cap



| Outer diameter: Ø 100 mm  
| Sales unit: 2 pieces

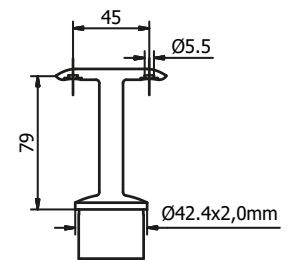


Model 0500	AISI 304 (inside)	AISI 316 (outside)
Diameter	Art. no.	Art. no.
42.4	12.0500.420.21	12.0500.420.31
48.3	12.0500.480.21	12.0500.480.31

## Empire State Post Handrail Support



| Sales unit: 2 pieces



Model 0460	AISI 304 (inside)	AISI 316 (outside)
Diameter	Art. no.	Art. no.
42.4	12.0460.422.21	12.0460.422.31
48.3	12.0460.482.21	12.0460.482.31

## Empire State Post Handrail Support Corner



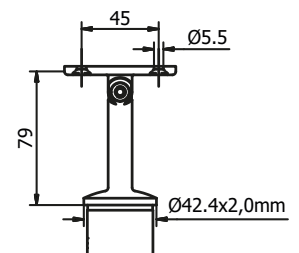
| Sales unit: 2 pieces

Model 0460	AISI 304 (inside)	AISI 316 (outside)
Diameter	Art. no.	Art. no.
42.4	12.0461.422.21	12.0461.422.31
48.3	12.0461.482.21	12.0461.482.31

## Empire State Handrail Support, adjustable



| Sales unit: 2 pieces



Model 0465	AISI 304 (inside)	AISI 316 (outside)
Diameter	Art. no.	Art. no.
42.4	12.0465.422.21	12.0465.422.31
48.3	12.0465.482.21	12.0465.482.31



# EMPIRE STATE POST | ACCESSORIES

## Endbow

| Sales unit: 2 pieces

Model 0311	AISI 304 (inside)	AISI 316 (outside)
Diameter	Art. no.	Art. no.
42.4	12.0311.422.21	12.0311.422.31
48.3	12.0311.482.21	12.0311.482.31

## Handrail bracket

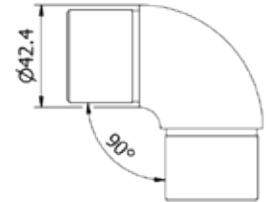
| Height: 60 mm  
| 3 mounting holes  
| Sales unit: 2 pieces

Model 0411	AISI 304 (inside)	AISI 316
Connector	Art. no.	Art. no.
flat	12.0411.000.21	12.0411.000.31
for Ø 42.4	12.0411.420.21	12.0411.420.31
for Ø 48.3	12.0411.480.21	12.0411.480.31

## Tube connector 90°



| Sales unit: 2 pieces



Model 0210		AISI 304 (inside)	AISI 316 (outside)
Diameter	Length	Art. no.	Art. no.
42.4 x 2	30	12.0210.422.21	12.0210.422.31
48.3 x 2	30	12.0210.482.21	12.0210.482.31

## Empire State Post Corner Connector, adjustable



| Sales unit: 2 pieces

Model 0215	AISI 304 (inside)	AISI 316 (outside)
Diameter	Art. no.	Art. no.
42.4	12.0215.422.21	12.0215.422.31
48.3	12.0215.482.21	12.0215.482.31

# EMPIRE STATE POST | ACCESSORIES

## Empire State Post Wall Connector



- | With 3 drill holes
- | Sales unit: 2 pieces

Model 0220	AISI 304 (inside)	AISI 316 (outside)
Diameter	Art. no.	Art. no.
42.4	12.0220.420.21	12.0220.420.31
48.3	12.0220.480.21	12.0220.480.31

## Empire State Post Wall Connector



- | Sales unit: 2 pieces

Model 0221	AISI 304 (inside)	AISI 316 (outside)
Diameter	Art. no.	Art. no.
42.4	12.0221.420.21	12.0221.420.31
48.3	12.0221.480.21	12.0221.480.31

## Fischer fixing anchor for concrete FAZ II 10/10



- | Finish interior application: zinc-plated steel (inside)
- | Finish exterior application: V4A (exterior)
- | Required number: 2 pieces
- | M10
- | Sales unit: 50 pieces

Model 3501	zinc-plated steel (inside)	AISI 316 (exterior)
	Art. no.	Art. no.
	91.3501.010.81	91.3501.010.30

# EMPIRE STATE POST | GLASSCLAMP

## Glassclamp model 25



| Size: 63 x 45mm  
| For glass thicknesses: 8/10/12 mm  
| including glassrubbers  
| Sales unit: 4 pieces

Model 2500	AISI 304	AISI 316
Connector	Art. no.	Art. no.
flat	12.2500.000.21	12.2500.000.31
for Ø 42.4	12.2500.420.21	12.2500.420.31
for Ø 48.3	12.2500.480.21	12.2500.480.31

## Glassclamp model 26



| Size: 55 x 55mm  
| For glass thicknesses: 8/10/12 mm  
| including glassrubbers  
| Sales unit: 4 pieces

Model 2600	AISI 304	AISI 316
Connector	Art. no.	Art. no.
flat	12.2600.000.21	12.2600.000.31
for Ø 42.4	12.2600.420.21	12.2600.420.31
for Ø 48.3	12.2600.480.21	12.2600.480.31

## Glassclamp model 27



| Size: 60 x 70 mm  
| For glass thicknesses: 15/17.52mm/19/21.52mm  
| including glassrubbers  
| Sales unit: 4 pieces

Model 2700	AISI 304	AISI 316
Connector	Art. no.	Art. no.
flat	12.2700.000.21	12.2700.000.31
for Ø 42.4	12.2700.420.21	12.2700.420.31
for Ø 48.3	12.2700.480.21	12.2700.480.31

## Security for glassclamp

| Sales unit: 4 pieces

Model 5000		AISI 316
for model	Type	Art. no.
25/26	Pin	92.5000.022.30
27	Plate	92.5000.030.30

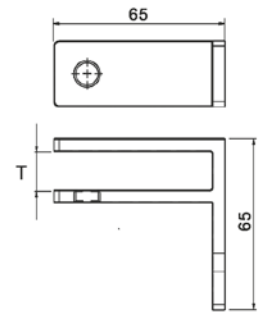
# EMPIRE STATE POST | SLIM GLASS CONNECTORS

## Slim glass connector, glass - wall 90°



- | Stainless steel 2205 mirror polish
- | A slimmer frameless panel support system
- | To suit 10 - 21.5mm glass
- | Supplied with rubbers
- | Sales unit: 1 piece

Model 4000	mirror polish
for glass thickness	Art. no.
10 - 12 mm	23.4000.010.38
13.5 - 15 mm	23.4000.012.38
16.5 - 19 mm	23.4000.016.38
20 - 21.5 mm	23.4000.020.38

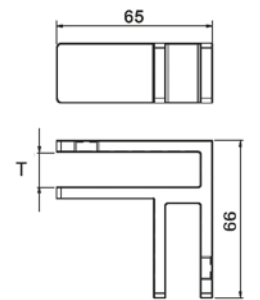


## Slim glass connector, glass - glass 90°



- | Stainless steel 2205 mirror polish
- | A slimmer frameless panel support system
- | To suit 10 - 21.5mm glass
- | Supplied with rubbers
- | Sales unit: 1 piece

Model 4000	mirror polish
for glass thickness	Art. no.
10 - 12 mm	23.4010.010.38
13.5 - 15 mm	23.4010.012.38
16.5 - 19 mm	23.4010.016.38
20 - 21.5 mm	23.4010.020.38

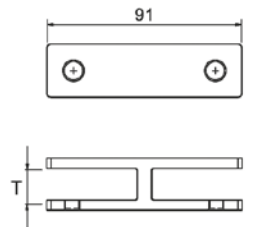


## Slim glass connector, glass - glass 180°

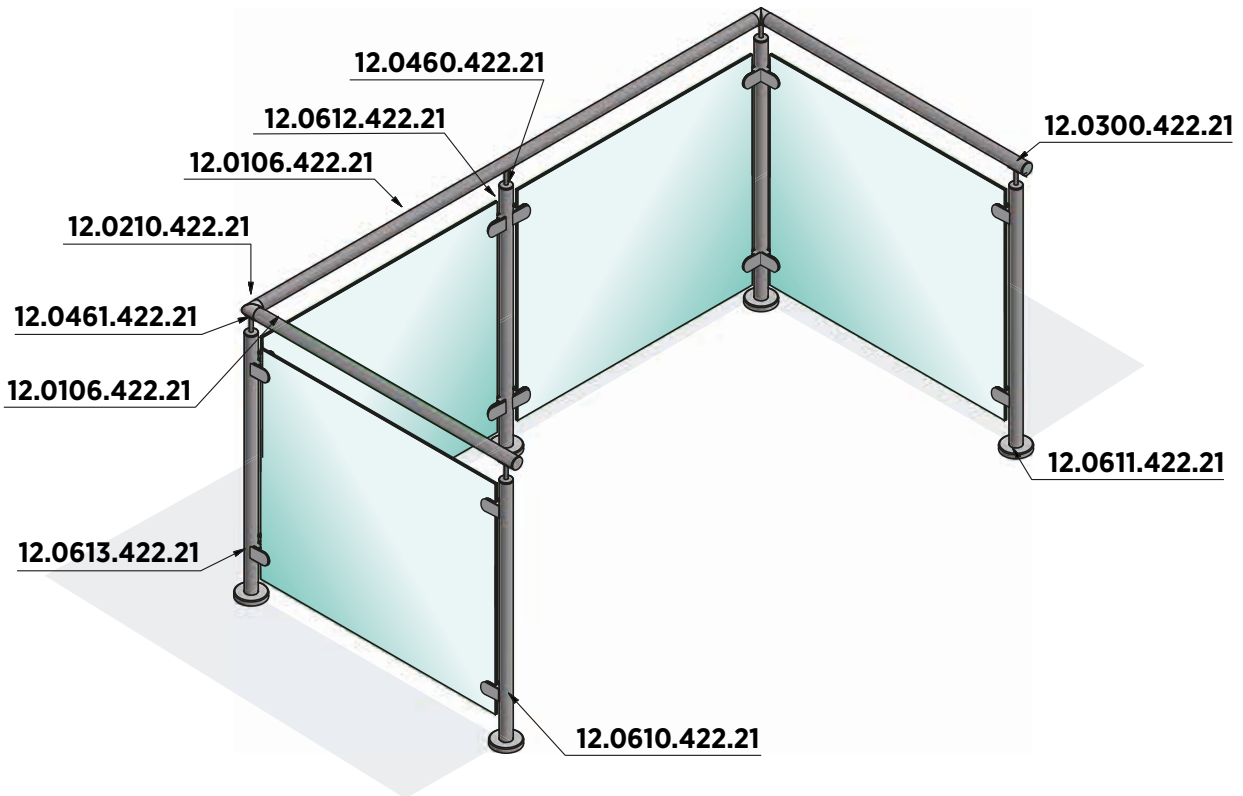
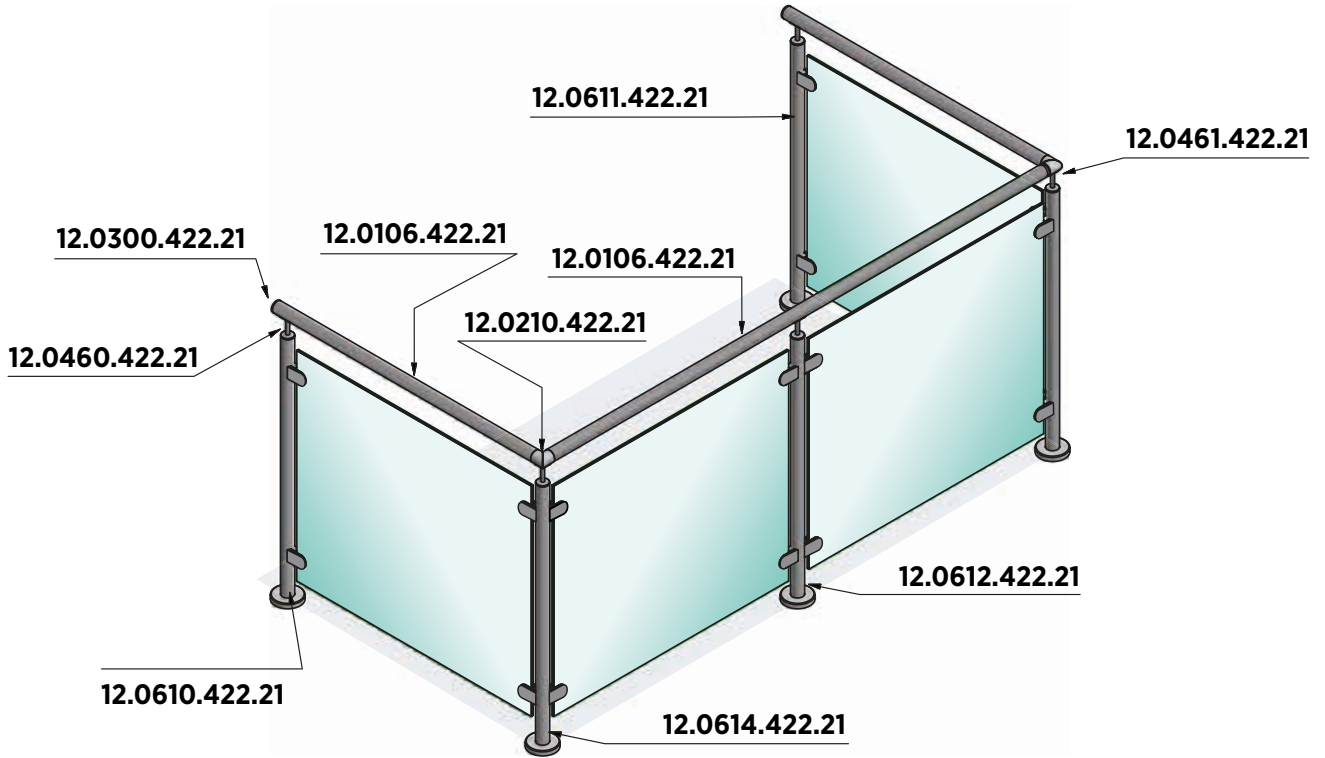


- | Stainless steel 2205 mirror polish
- | A slimmer frameless panel support system
- | To suit 10 - 21.5mm glass
- | Supplied with rubbers
- | Sales unit: 1 piece

Model 4000	mirror polish
for glass thickness	Art. no.
10 - 12 mm	23.4020.010.38
13.5 - 15 mm	23.4020.012.38
16.5 - 19 mm	23.4020.016.38
20 - 21.5 mm	23.4020.020.38



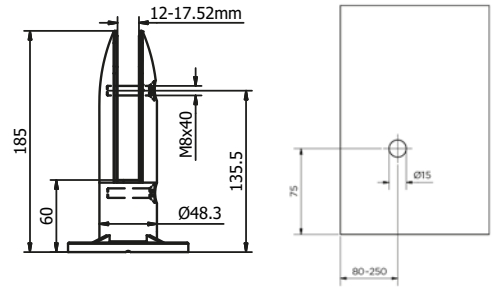
# EMPIRE STATE POST | INSTALLATION EXAMPLES



## Floor glass clamp



- | Ø 48.3 mm
- | Height: 185 mm
- | Glass thicknesses 12 - 17.52 mm
- | Sales unit: 1 piece



Model 2448	AISI 304 (inside)	AISI 316 (outside)	Dark bronze anodized	Black anodized
	Art. no.	Art. no.	Art. no.	Art. no.
	12.2448.185.21	12.2448.185.31	12.2448.185.33	12.2448.185.37

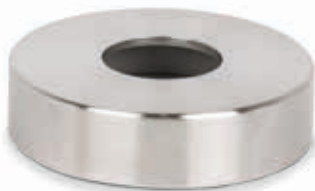
## Rubber for Rocket floor glass clamp



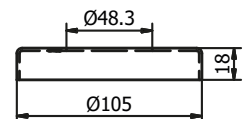
- | Sales unit: 1 piece

Model 5000	Plastic
for glass thickness	Art. no.
12 mm	90.5000.012.00
12.76 mm	90.5000.012.76
13.52 mm	90.5000.013.52
15 mm	90.5000.015.00
16.76 mm	90.5000.016.76
17.52 mm	90.5000.017.52

## Cover cap for Rocket floor glass clamp



- | Ø 105 mm
- | Sales unit: 2 pieces

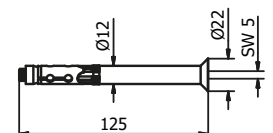


Model 0500	AISI 304 (inside)	AISI 316 (outside)	Dark bronze anodized	Black anodized
	Art. no.	Art. no.	Art. no.	Art. no.
	12.0500.480.21	12.0500.480.31	12.0500.480.33	12.0500.480.34

## Fischer fixing anchor FH II 12/50 SK



- | Finish interior application: zinc-plated steel (inside)
- | Finish exterior application: V4A (exterior)
- | Required number per 2500 mm: 17 pieces
- | Sales unit: 25 pieces



Model 3511	zinc-plated steel (inside)	AISI 316 (exterior)
	Art. no.	Art. no.
	91.3511.250.81	91.3511.250.30

# SPARTAN | 0.36 KN LED SPIGOT

---

## Spartan LED Spigot



- | A combination of a patented designed spigot, LED lighting kit and low iron glass are required to create the ultimate illumination effect
- | Spigots are cast in Marine Grade 2205 stainless steel – ideal for pool side or coastal environments
- | Surface mounted or new core mounted spigot choice
- | Available in matt black or polished finishes
- | Earthing point located on the base of every spigot for safe use
- | LED lighting can be changed without removing the spigot, a unique feature
- | RGB controller gives you sixteen different light colours and three mode settings to choose from
- | Patented design
- | CE Certified LED system
- | The strongest Spigot on the market with a unique honeycomb internal wall structure
- | Height: 162 mm
- | Glass thicknesses 12 mm - 13.52 mm
- | Sales unit: 1 piece

Model 7030	AISI 2205 black	AISI 2205 mirror polish
	Art. no.	Art. no.
	90.7030.000.37	90.7030.000.38

---

## Spigot light kit



- | Sales unit: 1 piece

Model 7031	
	Art. no.
	90.7031.000.00

---



# ONLEVEL

OnLevel Ltd  
Units 6 & 7, Alexandria Court  
Alexandria Drive, Ashton Commerce Park  
Ashton-under-Lyne, Lancashire OL7 0QN  
United Kingdom

T +44 0161 804 9500  
F +44 0161 804 9505

[gary@onlevel-uk.com](mailto:gary@onlevel-uk.com)  
[www.onlevel.com](http://www.onlevel.com)