



ONLEVEL

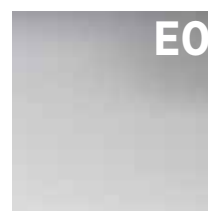
U-PROFILES
FINAL BOSS



HERE COMES THE STYLING KIT FOR YOUR BATHROOM.

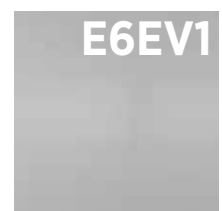
Whether it's shower enclosures, mirror profiles or room partitions - **ONLEVEL by You** is customisable: Convey your individual style to your bathroom surfaces with the infinite possibilities **ONLEVEL** has to offer. Thanks to the new and optimised geometries, our Innovation Hotbed was able to adjust all glass thicknesses and tolerances accordingly. The profiles are available in all conceivable colours (RAL) and covered by a protective film. In addition, they offer flexible and varied connection possibilities.

CHOOSE YOUR COLOUR



E0

.10 mill finish



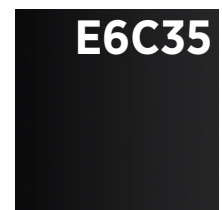
E6EV1

.11 plain anodised



E4/C31

.12 stainless steel look



E6C35

.15 black anodised



E3/50

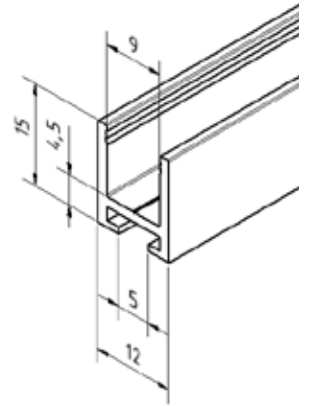
.17 polished anodised

U-PROFILES

U Profile, 15 x 12 x 15 mm



- | 15 x 12 x 15 mm
- | Thickness: 1.5 mm
- | Glass thickness max. 6.76 mm
- | Length: 5000 mm; (surface finish **.17**: 3500 mm)
- | Material: Aluminium,
- | Sales unit: 1 piece
- | Our fastening recommendation:
Duopower 6 mm x 50 mm with countersunk screw
- | Suitable end cap: 20.9215.121.41
- | Suitable connector: 20.9315.121.41

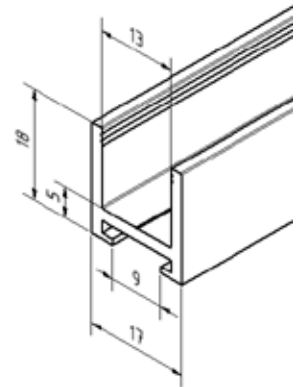


Model 1515		
Finish	length	Art. no.
mill finish	5000 mm	20.1515.121.10
plain anodised	5000 mm	20.1515.121.11
stainless steel look	5000 mm	20.1515.121.12
black anodised	5000 mm	20.1515.121.15
polished anodized	3500 mm	20.1515.121.17

U-Profile, 18 x 17 x 18 mm



- | 18 x 17 x 18 mm
- | Thickness: 2 mm
- | Glass thickness max. 10.76 mm
- | Length: 5000 mm; (surface finish **.17**: 3500 mm)
- | Material: aluminium,
- | Sales unit: 1 piece
- | Our fastening recommendation:
Duopower 6 mm x 50 mm with countersunk screw
- | Suitable end cap: 20.9218.172.41
- | Suitable connector: 20.9318.172.41

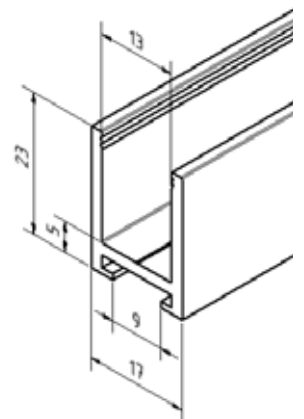


Model 1518		
Finish	length	Art. no.
mill finish	5000 mm	20.1518.172.10
plain anodised	5000 mm	20.1518.172.11
stainless steel look	5000 mm	20.1518.172.12
black anodised	5000 mm	20.1518.172.15
polished anodized	3500 mm	20.1518.172.17

U-Profile, 23 x 17 x 23 mm



- | 23 x 17 x 23 mm
- | Thickness: 2 mm
- | Glass thickness max. 10.76 mm
- | Length: 5000 mm; (surface finish **.17**: 3500 mm)
- | Material: aluminium
- | Sales unit: 1 piece
- | Our fastening recommendation:
Duopower 6 mm x 50 mm with countersunk screw
- | Suitable end cap: 20.9223.172.41
- | Suitable connector: 20.9318.172.41



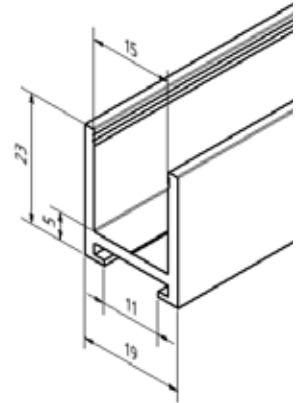
Model 1523		
Finish	length	Art. no.
mill finish	5000 mm	20.1523.172.10
plain anodised	5000 mm	20.1523.172.11
stainless steel look	5000 mm	20.1523.172.12
black anodised	5000 mm	20.1523.172.15
polished anodized	3500 mm	20.1523.172.17

U-PROFILES

U-Profile, 23 x 19 x 23 mm



- | 23 x 19 x 23 mm
- | Thickness: 2 mm
- | Glass thickness max. 12.76 mm
- | Length: 5000 mm; (surface finish **.17**: 3500 mm)
- | Material: aluminium
- | Sales unit: 1 piece
- | Our fastening recommendation:
Duopower 8 mm x 65 mm with countersunk screw
- | Suitable end cap: 20.9223.192.41
- | Suitable connector: 20.9323.192.41

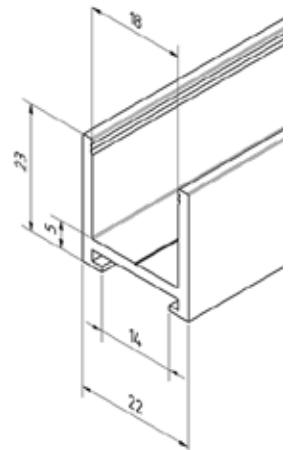


Model 1523		
Finish	length	Art. no.
mill finish	5000 mm	20.1523.192.10
plain anodised	5000 mm	20.1523.192.11
stainless steel look	5000 mm	20.1523.192.12
black anodised	5000 mm	20.1523.192.15
polished anodized	3500 mm	20.1523.192.17

U-Profile, 23 x 22 x 23 mm



- | 23 x 22 x 23 mm
- | Thickness: 2 mm
- | Glass thickness max. 16 mm
- | Length: 5000 mm; (surface finish **.17**: 3500 mm)
- | Material: aluminium
- | Sales unit: 1 piece
- | Our fastening recommendation:
Duopower 8 mm x 65 mm with countersunk screw
- | Suitable end cap: 20.9223.222.41
- | Suitable connector: 20.9323.222.41

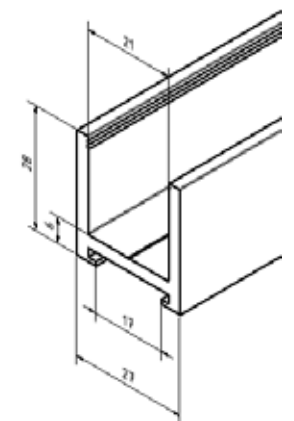


Model 1523		
Finish	length	Art. no.
mill finish	5000 mm	20.1523.222.10
plain anodised	5000 mm	20.1523.222.11
stainless steel look	5000 mm	20.1523.222.12
black anodised	5000 mm	20.1523.222.15
polished anodized	3500 mm	20.1523.222.17

U-Profile, 28 x 27 x 28 mm



- | 28 x 27 x 28 mm
- | Thickness: 3 mm
- | Glass thickness max. 19 mm
- | Length: 5000 mm
- | Material: aluminium
- | Sales unit: 1 piece
- | Our fastening recommendation:
Duopower 8 mm x 65 mm with countersunk screw
- | Suitable end cap: 20.9228.273.41
- | Suitable connector: 20.9328.273.41



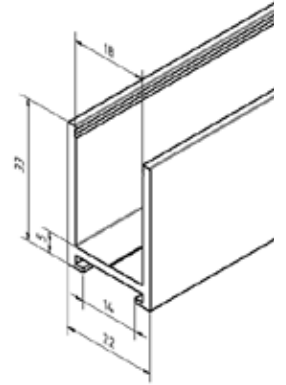
Model 1528		
Finish	length	Art. no.
mill finish	5000 mm	20.1528.273.10
plain anodised	5000 mm	20.1528.273.11
stainless steel look	5000 mm	20.1528.273.12

U-PROFILES

U-Profile, 33 x 22 x 33 mm



- | 33 x 22 x 33 mm
- | Thickness: 2 mm
- | Glass thickness max. 16 mm
- | Length: 5000 mm; (surface finish **.17**: 3500 mm)
- | Material: aluminium
- | Sales unit: 1 piece
- | Our fastening recommendation:
Duopower 8 mm x 65 mm with countersunk screw
- | Suitable end cap: 20.9233.222.41
- | Suitable connector: 20.9323.222.41

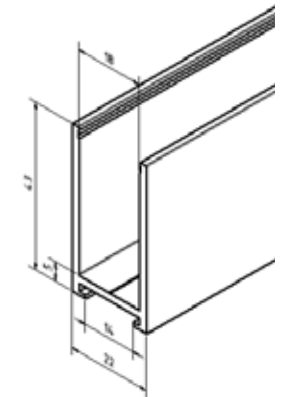


Model 1533		
Finish	length	Art. no.
mill finish	5000 mm	20.1533.222.10
plain anodised	5000 mm	20.1533.222.11
stainless steel look	5000 mm	20.1533.222.12
black anodised	5000 mm	20.1533.222.15
polished anodized	3500 mm	20.1533.222.17

U-Profile, 43 x 22 x 43 mm



- | 43 x 22 x 43 mm
- | Thickness: 2 mm
- | Glass thickness max. 16 mm
- | Length: 5000 mm; (surface finish **.17**: 3500 mm)
- | Material: aluminium
- | Sales unit: 1 piece
- | Our fastening recommendation:
Duopower 8 mm x 65 mm with countersunk screw
- | Suitable end cap: 20.9243.222.41
- | Suitable connector: 20.9323.222.41

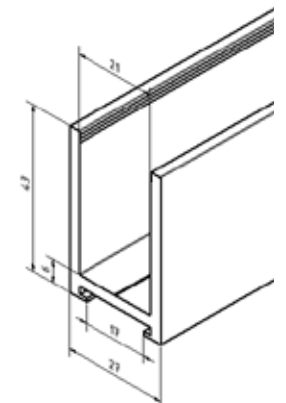


Model 1543		
Finish	length	Art. no.
mill finish	5000 mm	20.1543.222.10
plain anodised	5000 mm	20.1543.222.11
stainless steel look	5000 mm	20.1543.222.12
black anodised	5000 mm	20.1543.222.15
polished anodized	3500 mm	20.1543.222.17

U-Profile, 43 x 27 x 43 mm



- | 43 x 27 x 43 mm
- | Thickness: 3 mm
- | Glass thickness max. 19 mm
- | Length: 5000 mm
- | Material: aluminium
- | Sales unit: 1 piece
- | Our fastening recommendation:
Duopower 8 mm x 65 mm with countersunk screw
- | Suitable end cap: 20.9243.273.41
- | Suitable connector: 20.9328.273.41



Model 1543		
Finish	length	Art. no.
mill finish	5000 mm	20.1543.273.10
plain anodised	5000 mm	20.1543.273.11
stainless steel look	5000 mm	20.1543.273.12

U-PROFILES

U-Profile End Cap



| Material: black plastic
| Sales unit: 10 pieces

Model 92xx	
For profile	Art. no.
15x12x15	20.9215.121.41
18x17x18	20.9218.172.41
23x17x23	20.9223.172.41
23x19x23	20.9223.192.41
23x22x23	20.9223.222.41
28x27x28	20.9228.273.41
33x22x33	20.9233.222.41
43x22x43	20.9243.222.41
43x27x43	20.9243.273.41

U-Profile Connector



| Material: black plastic
| Sales unit: 1 piece

Model 93xx	
For profile	Art. no.
15x12x15	20.9315.121.41
18x17x18	20.9318.172.41
23x17x23	20.9318.172.41
23x19x23	20.9323.192.41
23x22x23	20.9323.222.41
28x27x28	20.9328.273.41
33x22x33	20.9323.222.41
43x22x43	20.9323.222.41
43x27x43	20.9328.273.41

U-Profile 90° Corner



| Material: black plastic
| Sales unit: 1 piece

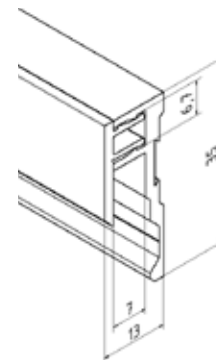
Model 93xx	
For profile	Art. no.
15x12x15	20.9415.121.41
18x17x18	20.9418.172.41
23x17x23	20.9418.172.41
23x19x23	20.9423.192.41
23x22x23	20.9423.222.41
28x27x28	20.9428.273.41
33x22x33	20.9423.222.41
43x22x43	20.9423.222.41
43x27x43	20.9428.273.41

MIRROR-PROFILES

Mirror Profile, top and bottom, 35 x 13 x 20 mm



- | 35 x 13 x 20 mm
- | For 6 mm glass
- | Length: 5000 mm; (surface finish .17: 3500 mm)
- | Easy-to-mount clip-on mirror profile: the mirror is simply adjusted from the front and then fixed with the cover profile, with drill guide inside the profile, corrosion-resistant and therefore well suited for use in bathroom and kitchen
- | Sales unit: 1 pair

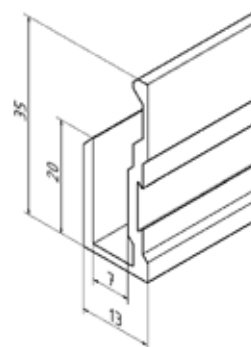


Model 2106		
Finish	length	Art. no.
plain anodised	5000 mm	20.2106.005.11
stainless steel look	5000 mm	20.2106.005.12
polished anodized	3500 mm	20.2106.003.17

Mirror Profile, bottom, 35 x 13 x 20 mm



- | 35 x 13 x 20 mm
- | For 6 mm glass, mirror dimension = installation height - 24 mm
- | Length: 5000 mm; (surface finish .17: 3500 mm)
- | Easy-to-mount mirror profile with drill guide inside the profile, corrosion-resistant and therefore well suited for use in bathroom and kitchen
- | Sales unit: 1 piece

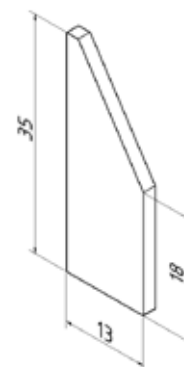


Model 2006		
Finish	length	Art. no.
plain anodised	5000 mm	20.2006.005.11
stainless steel look	5000 mm	20.2006.005.12
polished anodized	3500 mm	20.2006.003.17

Mirror Profile End Cap Set



- | Grey plastic (5 x left 5 x right)
- | Sales unit: 10 pieces



Modell 2106	
finish	Art. no.
Gray plastic	20.9005.006.47

MOUNTING HARDWARE SUITED FOR HUMID ENVIRONMENTS

DUOPOWER 6 mm x 50 mm



| Suitable screws: Countersunk screw 4 mm x 60 mm, A2
| Sales unit: 100 pieces



Duopower	Art. no.
Duopower 6 x 50 S A2	91.3560.650.20

DUOPOWER 8 mm x 65 mm



| Suitable screws: Countersunk screw 5 mm x 70 mm, A2
| Sales unit: 50 pieces



Duopower	Art. no.
Duopower 8 x 65 S A2	91.3560.865.20



STARTRACK

Clamping Rail for All-Glass Installations and Partition Walls

Outer Space – Endless Widths

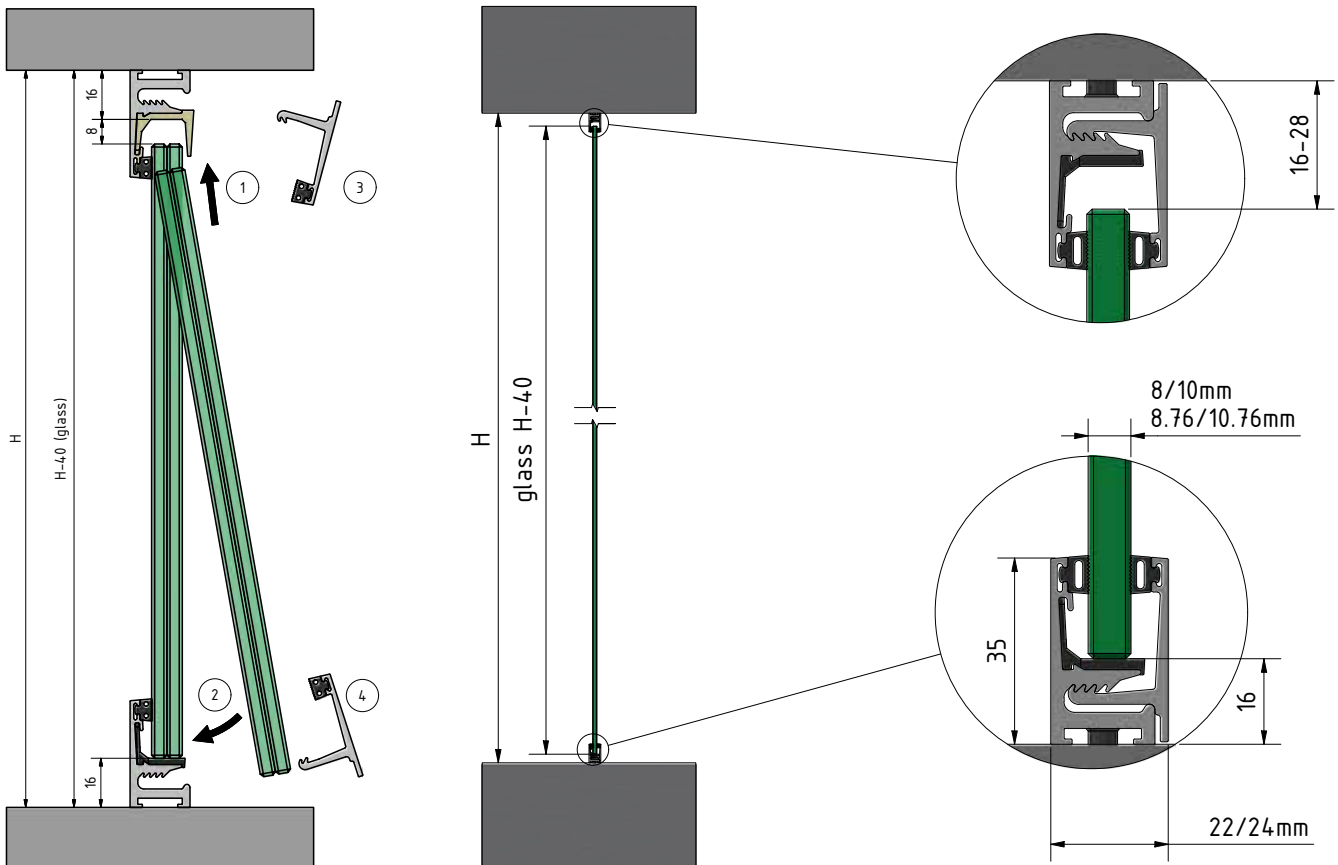
We're in the year 2020. These are the adventures of ONLEVEL travelling with its crew to realise new ideas – new products and new systems. Many light years away from the conservative mindset, ONLEVEL reaches galaxies which man has never seen before. There is no easier and faster installation – with this unrivalled safety.

Why is **STARTRACK** not only unique but also the fastest and the most beautiful?

- One: The first completely pre-assembled partition wall system for glass. This greatly reduces the installation effort!
- Two: Integrated glass fixing for glass thicknesses from 8 - 10,76 mm. A pre-assembled rubber seal for all glass thicknesses!
- Three: Integrated seals instead of applying silicone – no more troublesome insertion of rubber seals!
- Four: Fabulous looks – minimalistic, almost invisible glass support rubbers.

Essential Features


- | Top, ceiling and wall mounting
- | Floor-to-ceiling glazings
- | Completely pre-assembled partition wall system for glass
- | Almost invisible glass support rubbers
- | Glass height up to 3000 mm
- | Relation of glass height to width 3:1
- | Do not use outdoors
- | No fall protection
- | Installation with EGS glass 8/10mm and VSG glass 8.76 and 10.76 mm possible



STARTRACK







Integrated glass support
rubbers for 8 - 10,76 mm glass

The glass thickness
is adjustable

Cover profile can simply be
inserted

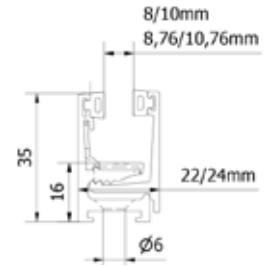
Almost invisible
glass support rubbers

STARTRACK | TOP, CEILING AND WALL MOUNTING

Startrack Glass Profile



- | Including pre-assembled glass rubber profiles and glass fixing parts
- | Glass thickness 8/10, 8,76/10,76 mm
- | Sales unit: 1 piece

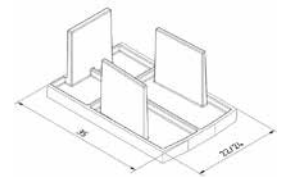


Model 0100	Mill finish	Plain aluminium	RAL coloured
Length	Art. no.	Art. no.	Art. no.
2500	20.0100.002.10	20.0100.002.11	20.0100.002.13/16/18
5000	20.0100.005.10	20.0100.005.11	20.0100.005.13/16/18

Startrack End Cap



- | Sales unit: 8 pieces

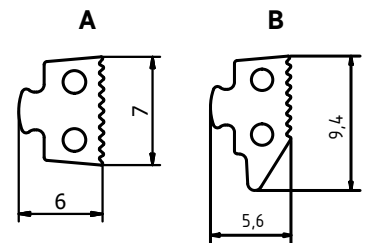


Model 9001	Plastic grey	Plastic black
Glass thickness	Art. no.	Art. no.
8/8.76 mm	20.9001.008.47	20.9001.008.41
10/10.76 mm	20.9001.010.47	20.9001.010.41

Startrack Spare Glass Rubbers



- | Supplementary article in case of loss or damage of the pre-assembled glass rubber seal
- | Glass thickness 8/10, 8,76/10,76 mm
- | Length: 25 m
- | Sales unit: 1 piece

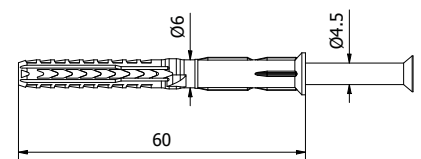


Modell 9100	for cover Profile (A)	for basic Profile (B)
	Art. no.	Art. no.
	20.9100.250.60	20.9200.250.60

Startrack Mounting Screw



- | Ø 4.5 x 60 mm
- | Required number per 2500 mm: 13 / pro 5000 mm: 25
- | Sales unit: 50 pieces



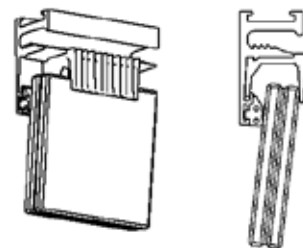
Model 9010	zinc-plated steel (inside)
	Art. no.
	20.9010.660.81

Startrack Glass fixation



With the Startrack Glass Fixation product you can fix the glass for a short time in the profile without it falling out or over. With this in place you can insert your cover profile without any additional help. This is an enormous assembly aid which saves time and makes the whole process easier.

| Sales unit: 50 pieces



Model 9004 Plastic black	
Glass thickness	Art. no.
8/8,76 mm	20.9004.008.41
10/10,76 mm	20.9004.010.41

Tape 69



| Particularly suitable for applications where a transparent, flexible bond is required.

| Length: 12 m, Thickness: 3 mm

| Sales unit: 1 piece



Model 7025		
Width	Glass thickness	Art. no.
5 mm	8 - 8.76 mm	90.7025.008.03
7 mm	10 - 10.76 mm	90.7025.010.03
9 mm	12 - 12.76 mm	90.7025.012.03
13 mm	16.76 - 17.52 mm	90.7025.016.03
17 mm	20.76 - 21.52 mm	90.7025.020.03

Tape 69 mounting tool



| Sales unit: 1 piece

Model 0100	
For glass thicknesses	Art. no.
8/8.76 and 10/10.76 mm	90.0100.170.08
12/12.76 and 16.76/17.52 mm	90.0100.170.12
16.76/17.52 and 20.76/21.52 mm	90.0100.170.16



ONLEVEL

ONLEVEL Ltd. | Units 6 & 7, Alexandria Court | Alexandria Drive
Ashton Commerce Park | Ashton-under-Lyne | Lancashire OL7 0QN | United Kingdom
T +44 0161 804 9500 | F +44 0161 804 9505 | info@onlevel-uk.com | www.onlevel.com