
The ONLEVEL logo is displayed in a white, bold, sans-serif font. The letters 'O', 'N', 'L', 'E', and 'V' are connected, while 'E' and 'L' are separated. The 'E' has a unique design with three horizontal bars. The logo is positioned in the upper right quadrant of the image, overlaid on a dark grey background.

ONLEVEL

A white, rectangular cabinet is mounted on a wall. The cabinet has a clean, modern design with a flat top and a slightly recessed front panel. A small, black rectangular logo with the word 'ONLEVEL' in white is affixed to the front panel. The cabinet is positioned above a wooden door, which is partially visible in the lower right corner of the image. The background is a dark grey wall.

ONLEVEL

INFINITY**SLIDE 69**
MOUNTING INSTRUCTIONS
FOR WOODEN DOORS

About these instructions

This instruction manual is part of the product and contains information about the scope of delivery as well as proper installation and adjustment. Make sure to read the complete manual before performing any work to guarantee a safe installation and use of the product. The information contained herein will maximize your safety.

Keep the manual in a safe place to have it at hand at all times. Please check for completeness and damages! Undisclosed incompleteness or damages shall be deemed accepted upon the start of installation work. We do not accept any liability for improper installation or transport. We reserve any technical changes required to improve this product which diverge from the presentation given in this manual. The illustrations of this manual serve the basic understanding and may vary from the actual design.

Intended use

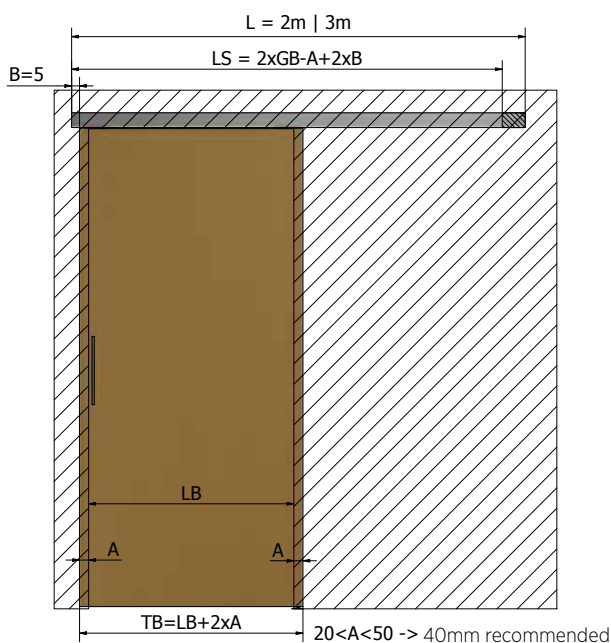
INFINITYSLIDE 69 is a sliding door system with glass elements which are only suited for interior applications and must not be exposed to moisture or humidity. In addition, the sliding door system is only suitable for manual operation (opening & closing).

Use our product exclusively as described in this manual. Any other application is considered contrary to the intended use.

Misuse

All of the following are considered foreseeable misuse:

- | Introducing obstacles into the opening area that impede the door elements from sliding
- | Closing the door elements while a person or body parts are present in this area
- | Using spare parts without our approval
- | Rebuilding or modifying the construction or individual parts of it
- | Exceeding permissible dimensions and weights
- | Use only silicone and oil free cleaners (e. g. acetone). Lukewarm water without any additives is often enough.
- | The substructure/wall must be permanently stable.
- | The mounting hardware must meet the requirements of substructure/wall and door weight.



Liability

The system may only be put together with original parts.

We do not accept liability for any damage resulting from a not intended use or the use of parts without approval.

For assessing the glass doors, we refer to the DIN EN12150 directive for tempered glass and the EN ISO 12543-1 directive for laminated safety glass consisting of 2 tempered glass panes + 0.76 mm film.

Staff

Our product must only be mounted by qualified staff who have the appropriate training and experience to carry out such works. The staff must be able to identify risks while handling the product and avoid any potential dangers.

The installation must be carried out by at least two people.

Safety



This is a danger sign. It alerts you of risks of injury. Therefore, please take all measures indicated together with this symbol to avoid injuries.

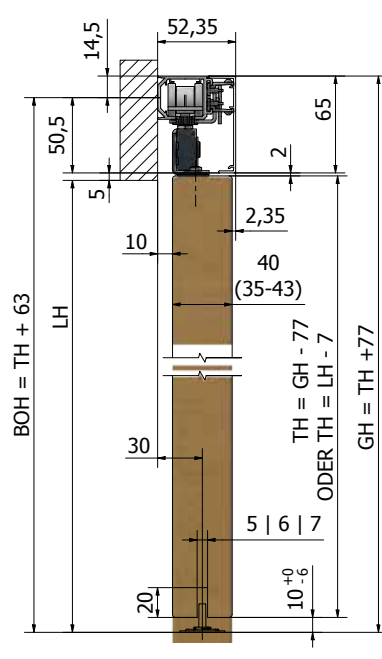
Safety at work comes first – always wear your personal protective equipment: safety shoes, work clothes, protective gloves.

Storage

Store the supplied parts in their original packaging to avoid damage to the product.

Consider the following to avoid damage to the glass elements:

- | Store glass elements in a safe place and protect them from tipping over.
- | Do not place glass elements on hard or uneven surfaces.



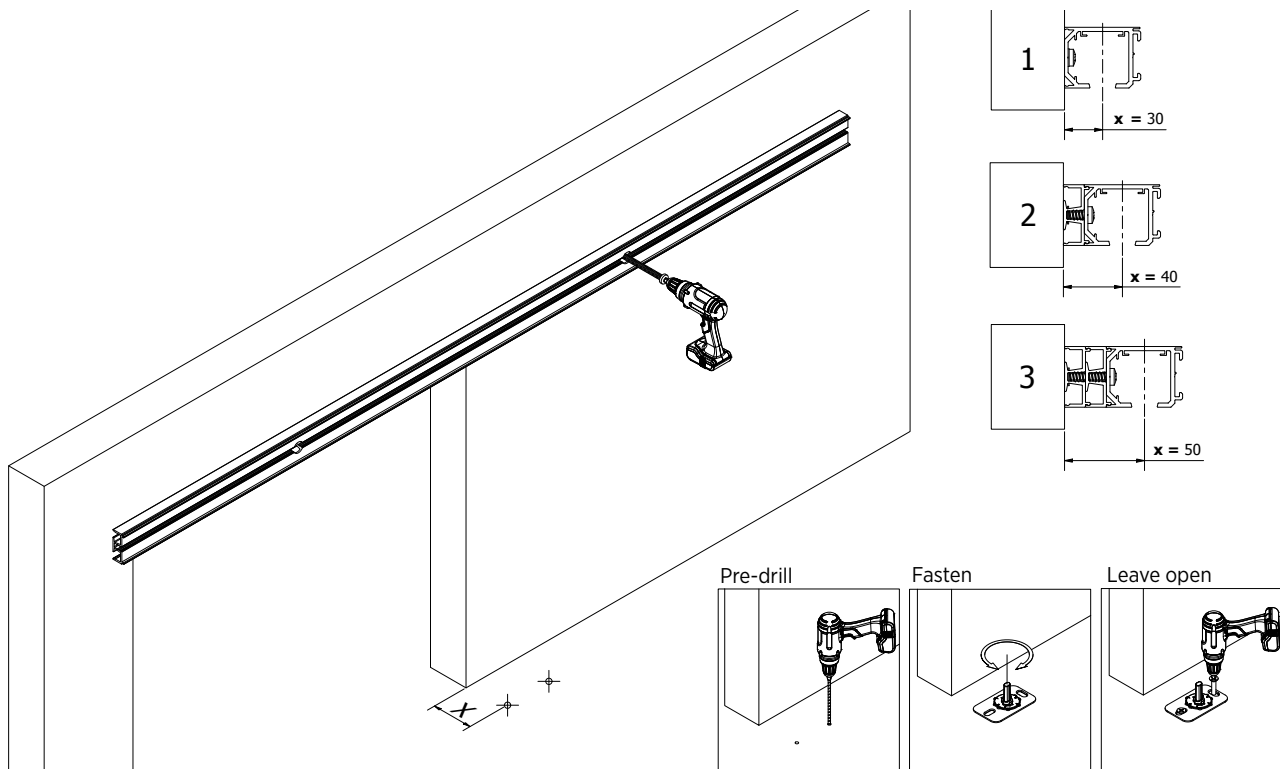
Data Sheet Legend

- BOH** = Drilling height
- TH** = Door height
- LB** = Clear width
- LH** = Clear height
- GH** = Total height
- LS** = Track length
- B** = Distance glass edge to end cap
- TB** = Door width
- A** = Glass protrusion ($> = 40$ mm)

INFINITY SLIDE 69 | INSTALLATION

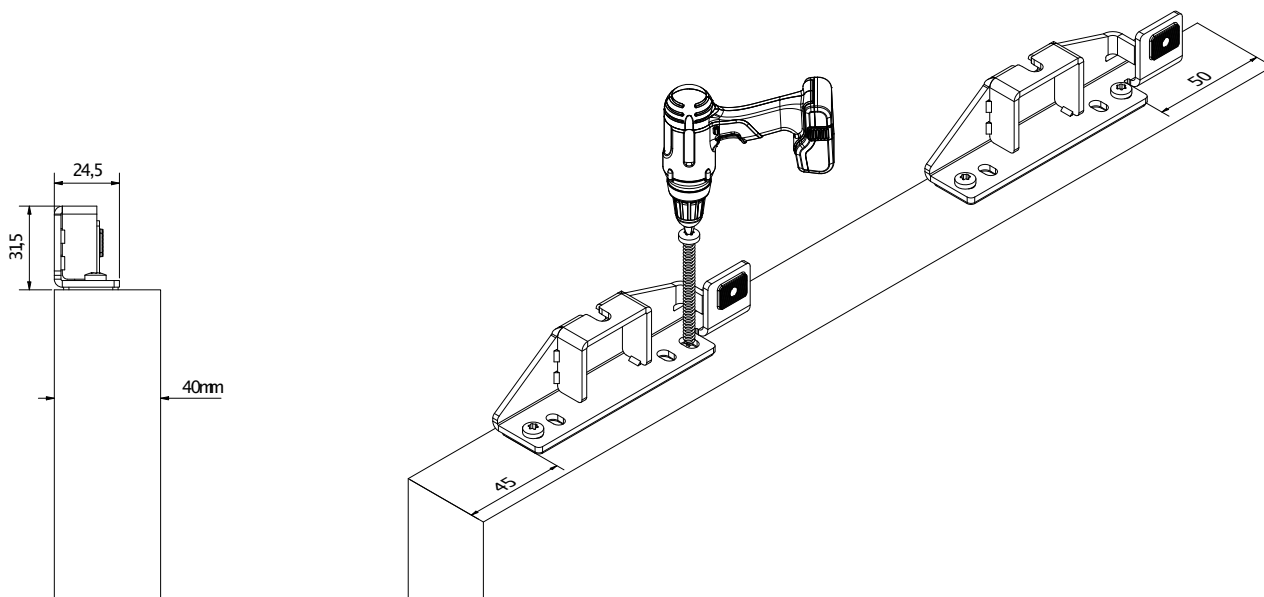
Step 1

Fixing the wall-mounted running track & the bottom guide



Step 2

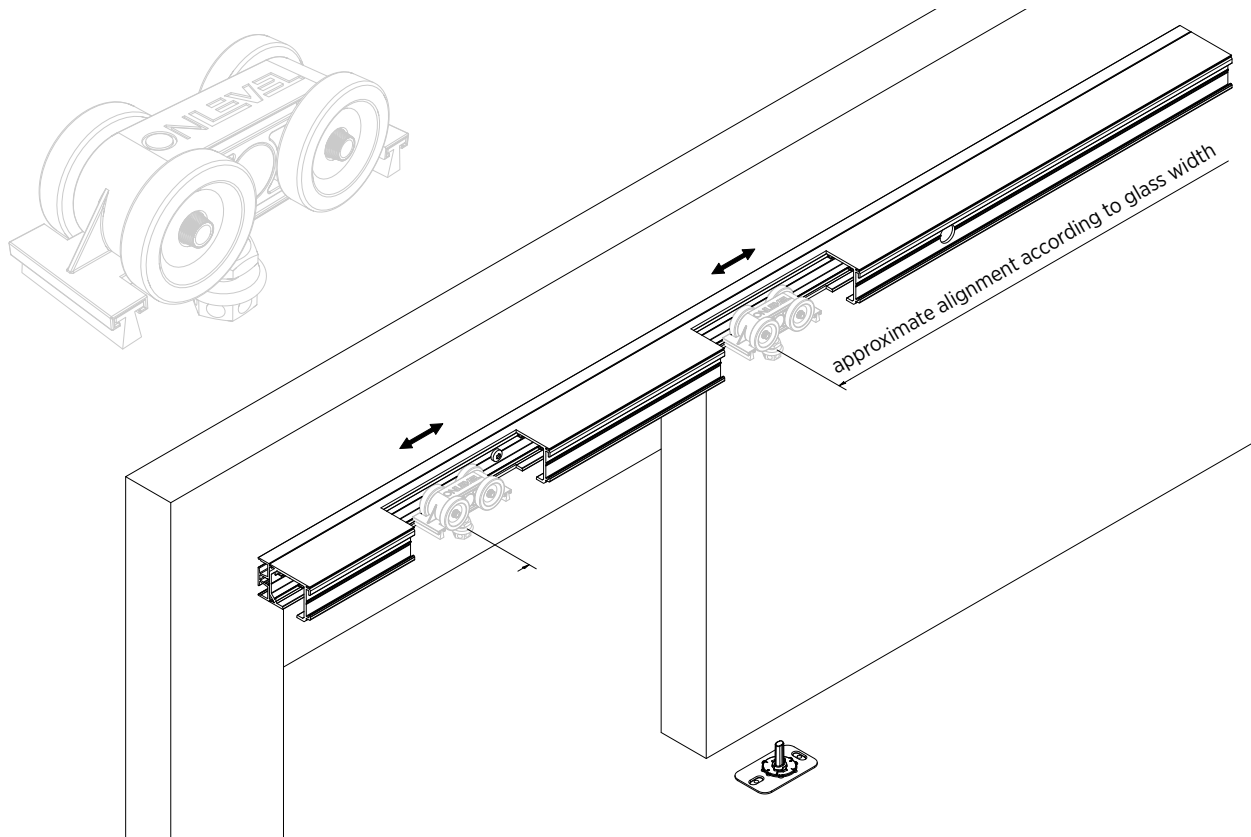
Fastening the wood holder to the wood



INFINITYSLIDE 69 | INSTALLATION

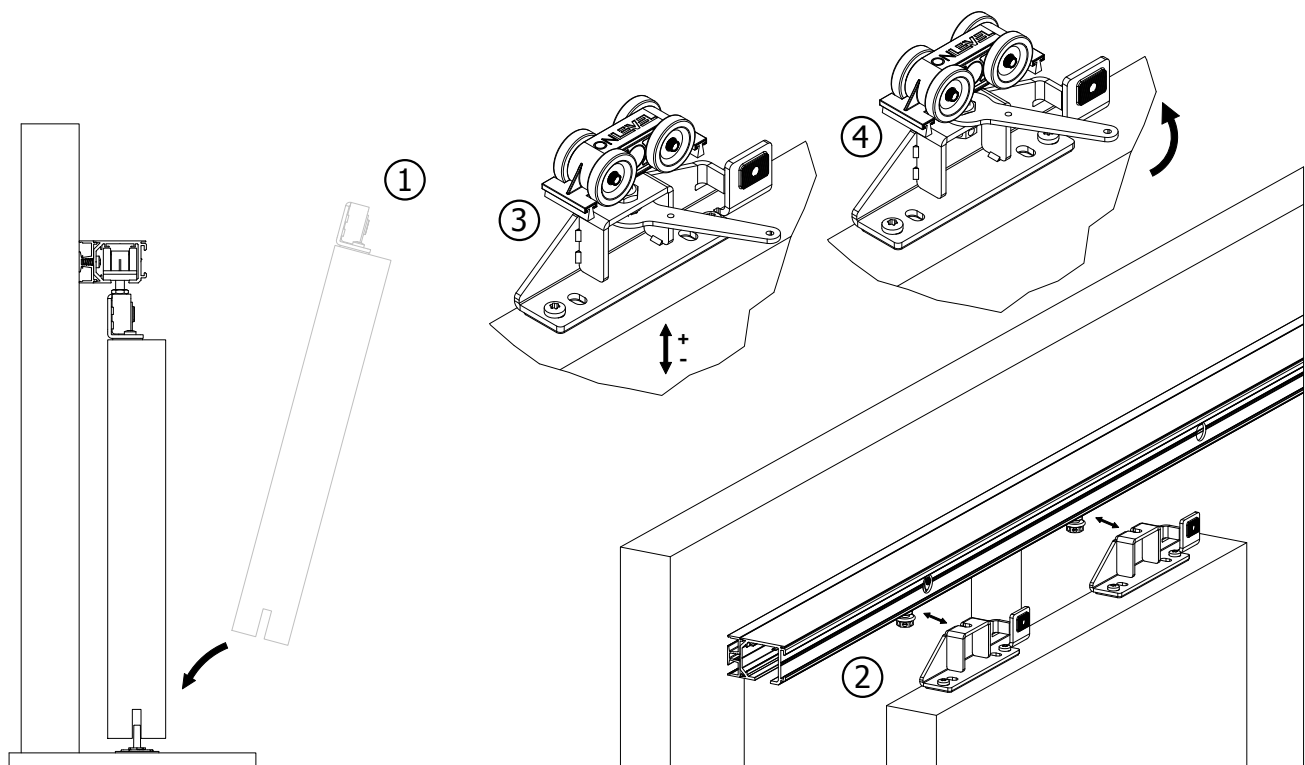
Step 3

Positioning the carriages in the wall-mounted running track



Step 4

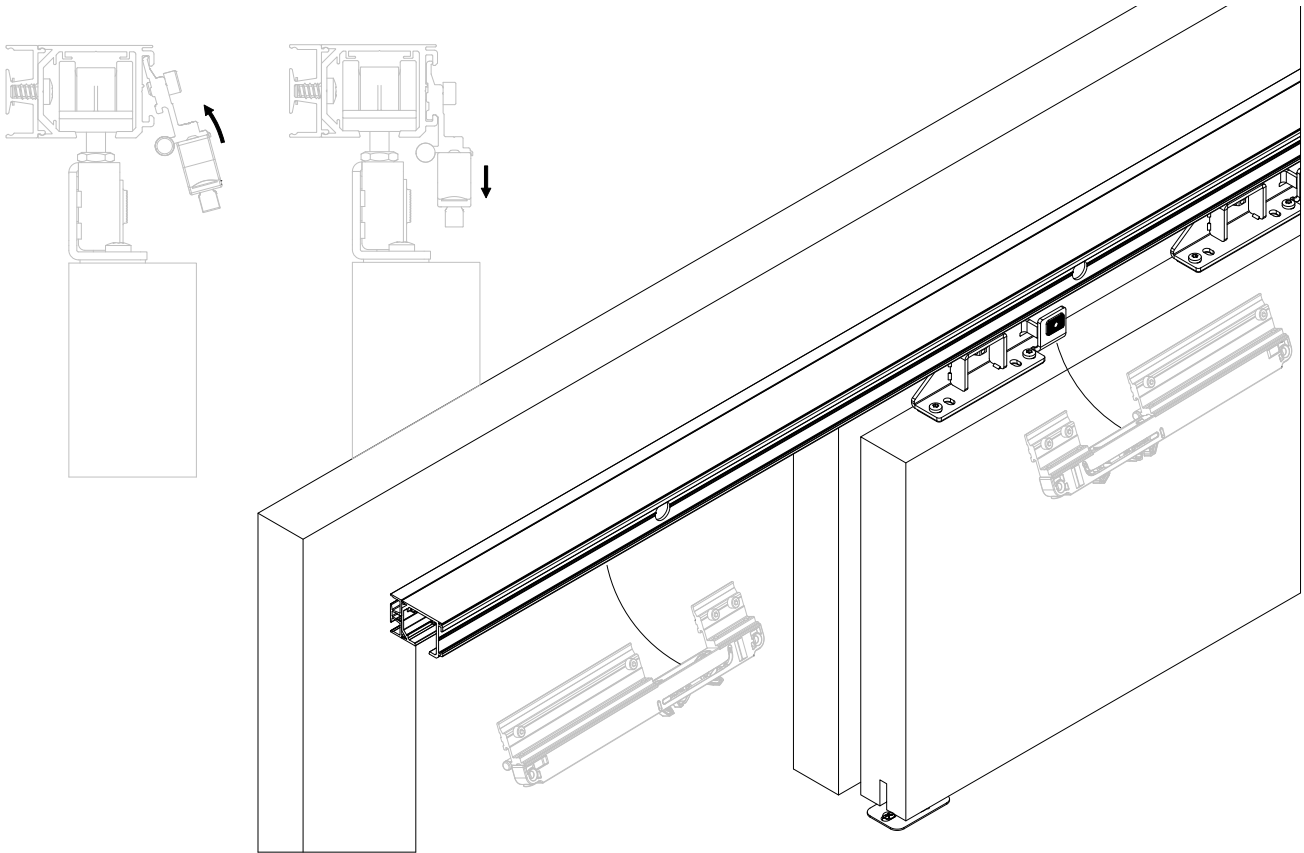
Inserting the door into the carriages



INFINITY SLIDE 69 | INSTALLATION

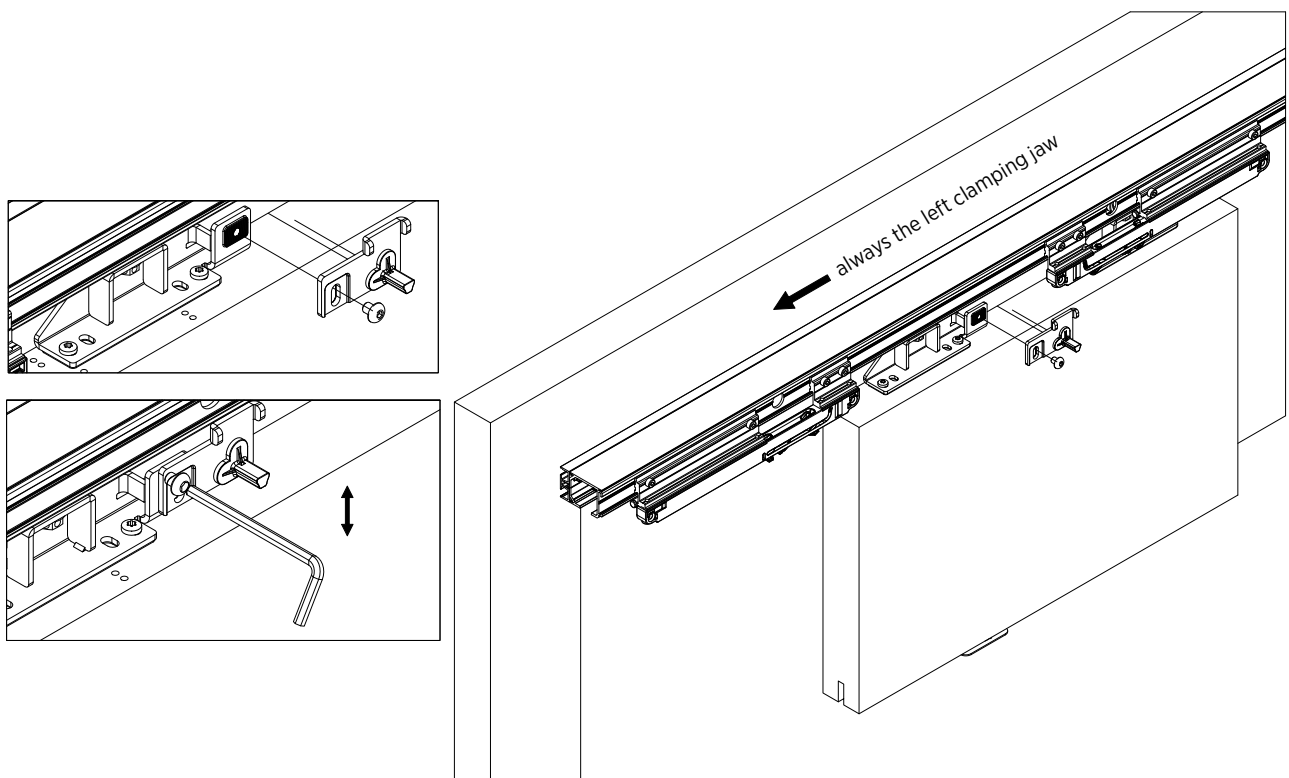
Step 5

Swivelling the dampers into the guide rail



Step 6

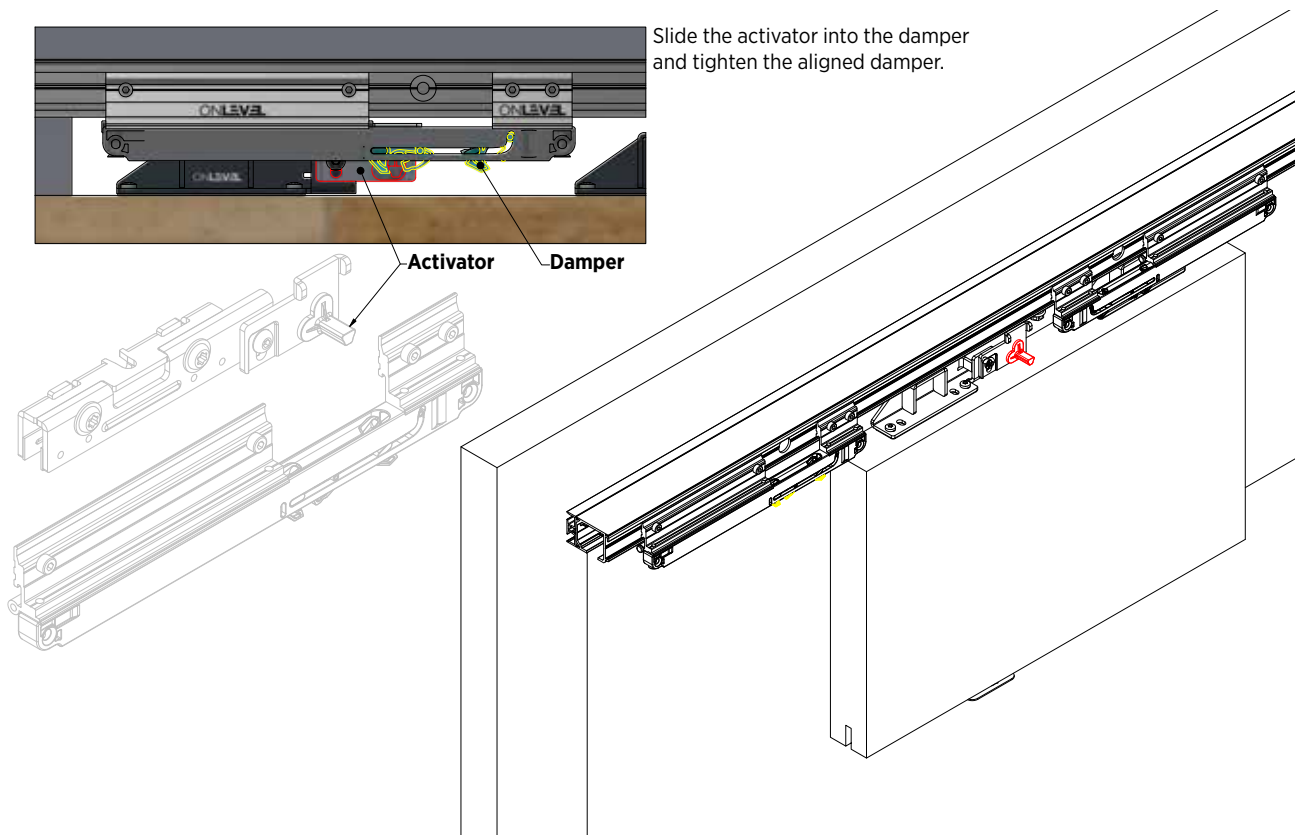
Fixing the activator to the wood holder



INFINITYSLIDE 69 | INSTALLATION

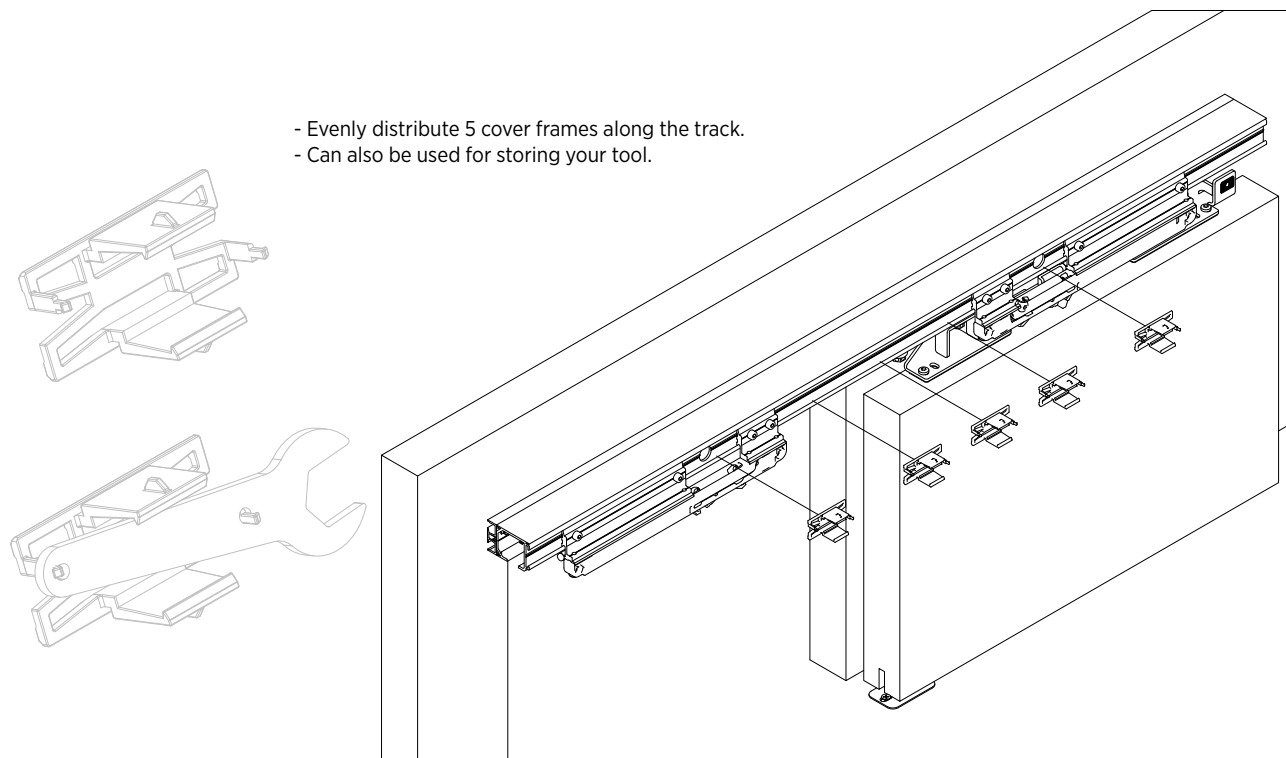
Step 7

Sliding the activator into the damper



Step 8

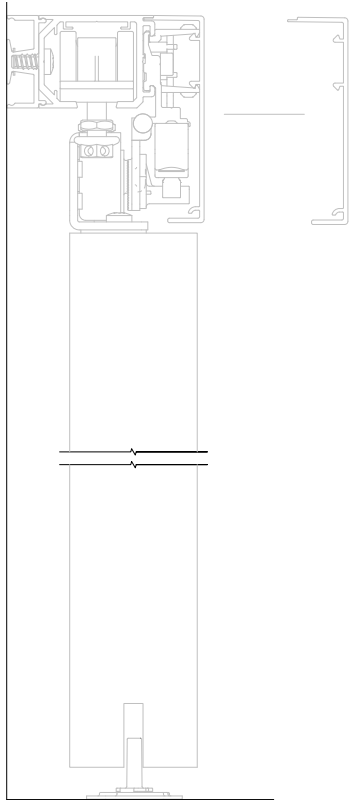
Fixing the cover retainer in the profile



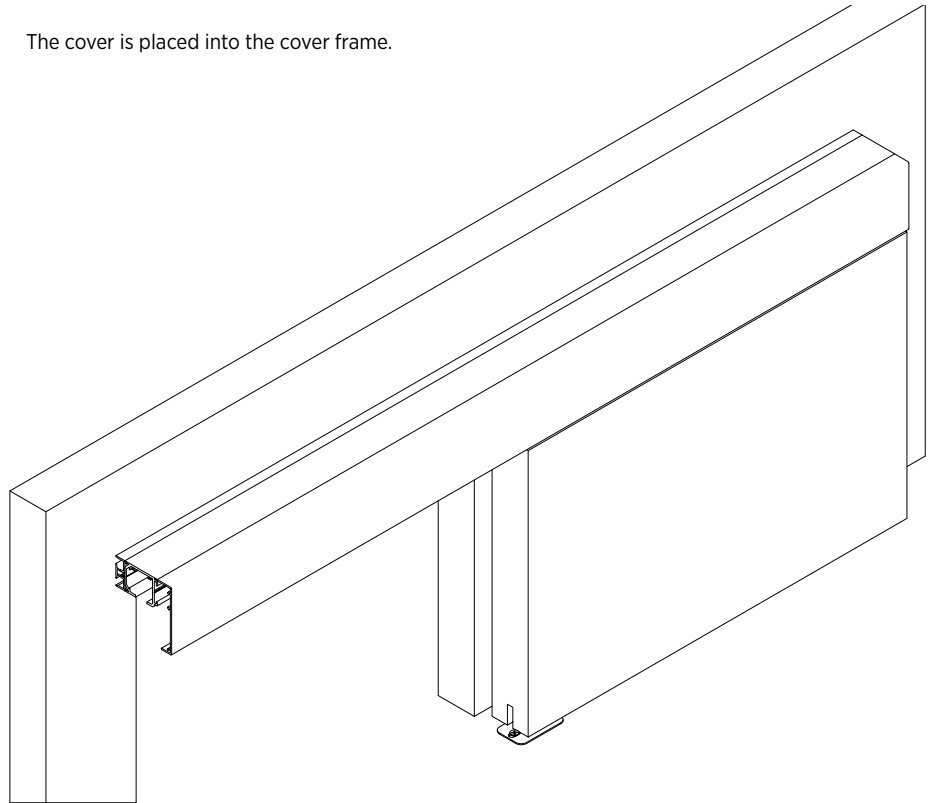
INFINITY **SLIDE 69** | INSTALLATION

Step 9

Mounting the cover profile to the running track

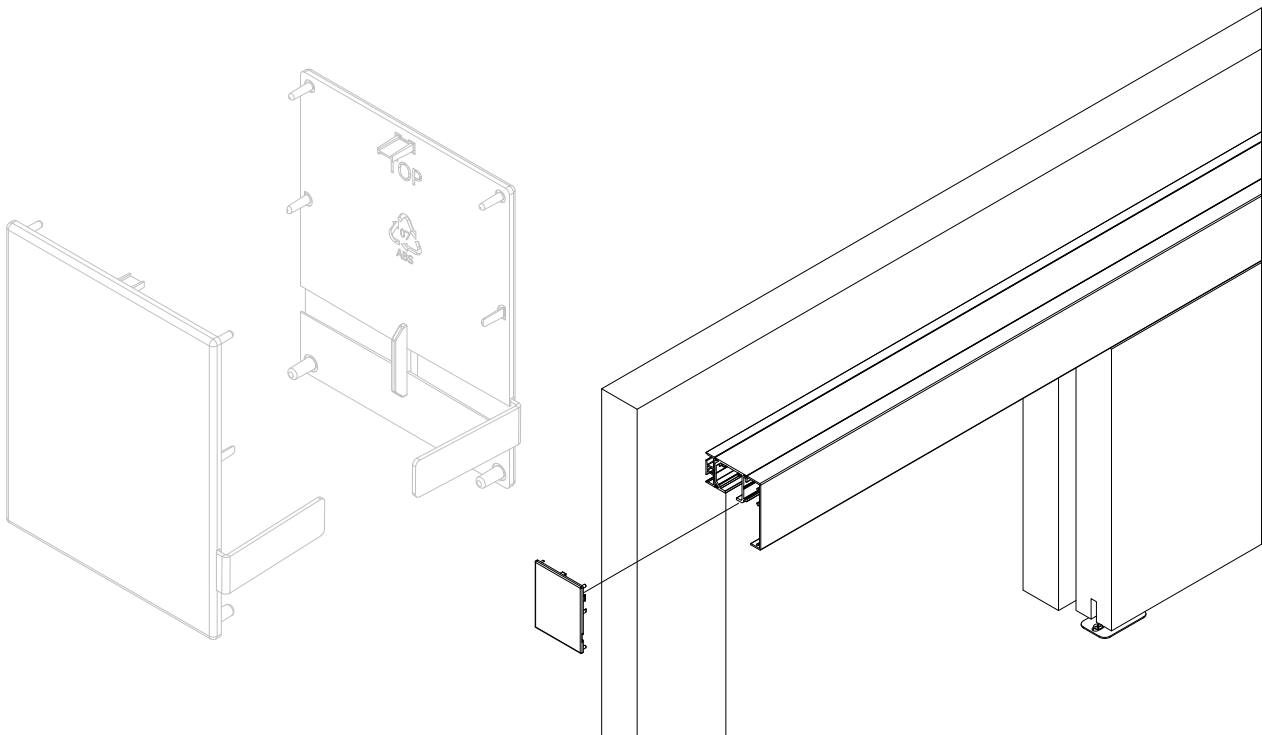


The cover is placed into the cover frame.



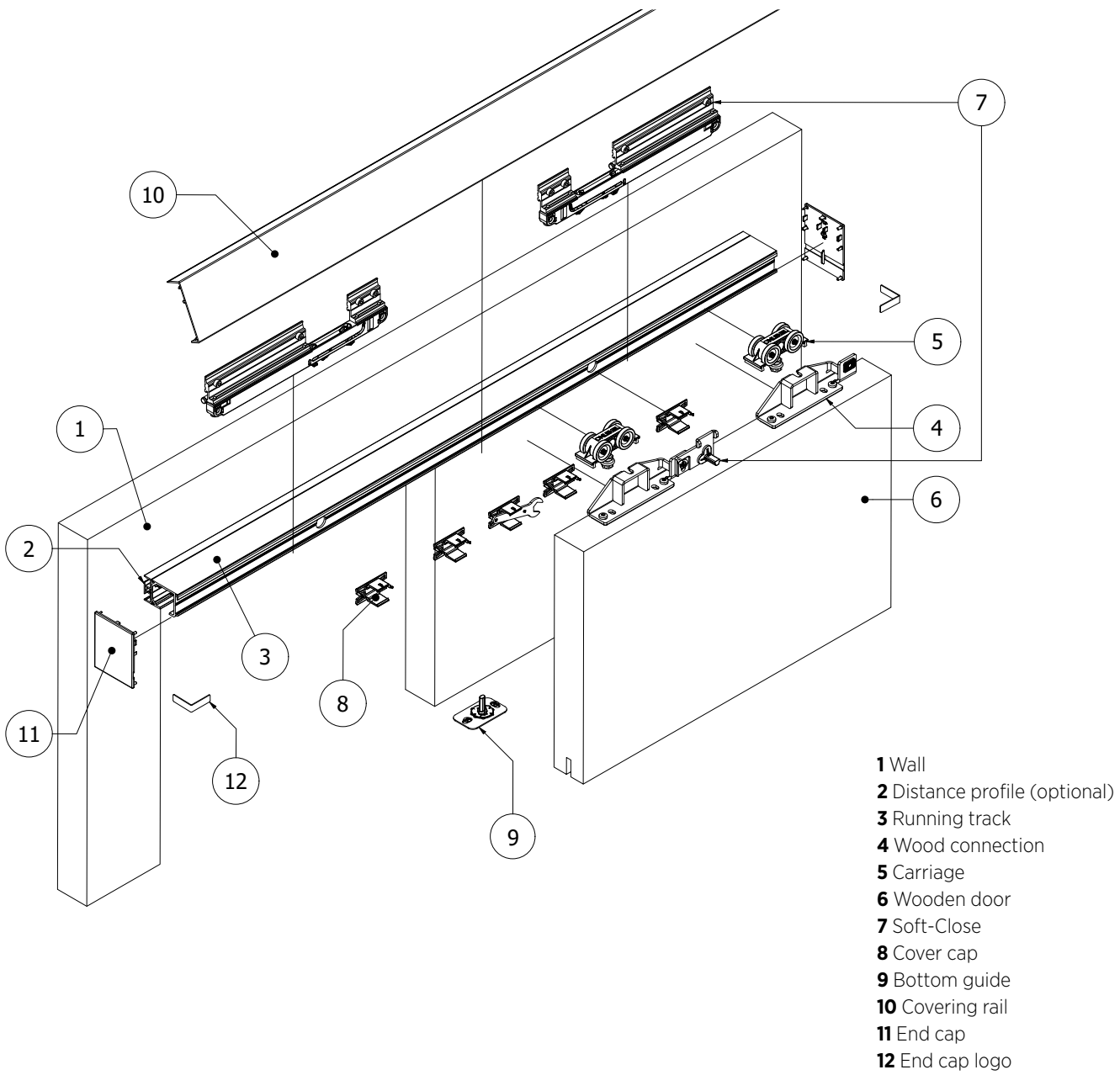
Step 10

Mounting the end caps



INFINITYSLIDE 69

Overview



ONLEVEL

ONLEVEL GmbH | Budberger Straße 5 | 46446 Emmerich am Rhein | Deutschland
+49 (0)2822 97514-0 | info@onlevel.com | www.onlevel.com