

ONLEVEL

ONLEVEL

INFINITY **SLIDE 69**  
FOR GLASS AND  
WOODEN DOORS

**Different surface finishes**

EV1, C31 or C35 anodised running track, or powder-coated in your preferred colour

**Different glass thicknesses**

8 - 10.76 mm glass  
(tempered or laminated safety glass)

**Versatile range of handles**

Finish matched with running track

**Innovative bottom guide**

Matching finish of handles & running track

# FOREVER INFINITY

Oh yes, we're kicking up our heels again and the walls start to crumble. Not because Forrest Gump paid us a visit but because **INFINITYSLIDE** is that cool that even the surrounding dirt bows in deference. That is why we have put off everything else just to present this sliding door to you. **INFINITYSLIDE** can be mounted that simply and intuitively that you can have a cushy number and could easily watch the Forrest Gump movie in the meantime. And that's why:

- | The bottom guide for glass can be unfolded in a way that the installation almost goes by itself.
- | The bottom guide for wood can be adjusted in a way that the door practically takes its place by itself.
- | The height adjustment is pre-assembled that well that the glass automatically locks in place in the centre.
- | This fitting more or less cleans itself because it has integrated brushes both in the front and in the rear.
- | The running track has an integrated collection channel for any dirt.

You shouldn't put off this recommendation nor should you put the blame on your colleagues: **INFINITYSLIDE** is a true world debut and we actually wouldn't even need to advertise it - it already promotes itself.

## Our Colour Selection



Aluminium



similar to stainless steel, polished



Stealth Black, polished



Powder-coated surface as per RAL (on request)

## Essential Features

- | Wall, ceiling or fixed sidelight mounting
- | For tempered and laminated safety glass: 8 - 10.76 mm doors or for wooden doors: 35 - 42 mm doors
- | Finishes: EV1, C31, C35, or powder-coated on request
- | Single or double doors
- | Matching handle range
- | Optionally available with soft closing system
- | Optionally available with wall distance profile

# INFINITYSLIDE 69 | CLAMPING JAW FOR GLASS

**Fast adjustment**  
8 mm = standard  
10 mm = adaptor brackets

Two clamping screws only

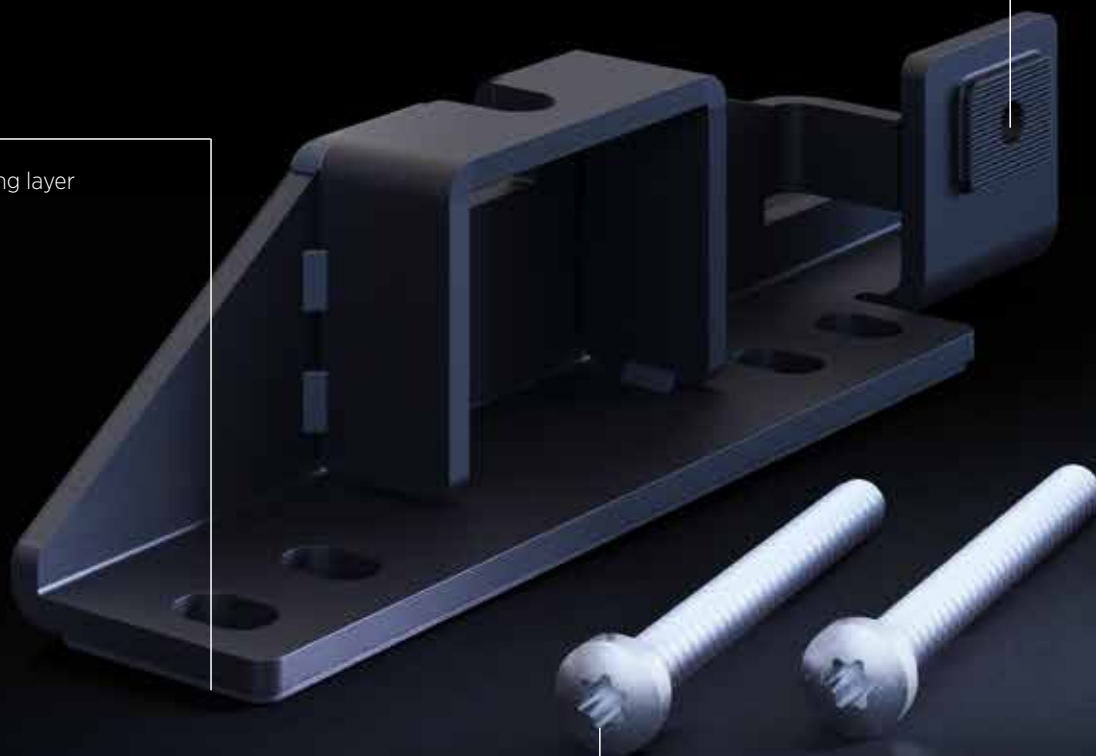
Connection for active stopper  
for Soft-Close

Rubber with strong grip,  
fixed on clamp  
(with adhesive channel)

# INFINITYSLIDE 69 | CLAMPING JAW FOR WOOD

Noise-absorbing layer

Connection for active stopper for Soft-Close



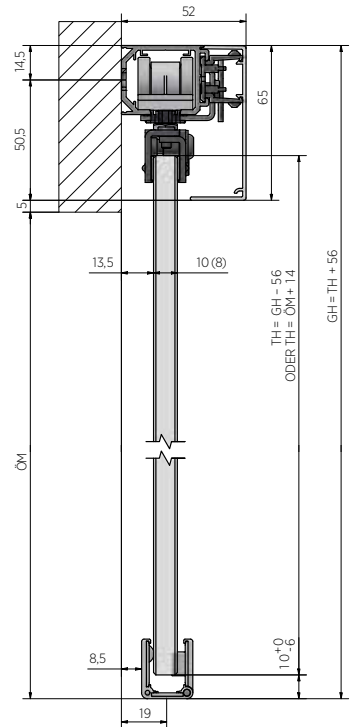
including screws

# INFINITYSLIDE 69 | GLASS COMPLETE

## Wall mounting



- | Max. door weight 69 kg
- | Glass type: tempered/laminated safety glass: 8 - 10.76 mm
- | Minimum door width: 500 mm
- | Door ratio: max. 1:2.5
- | Sales unit: 1 piece



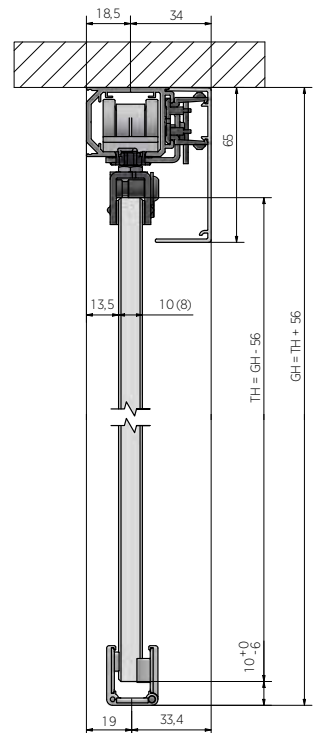
See also torque wrenches for mounting purposes on page 22.

	Softclose	Aluminium EV1	sim. to stainless steel, polished	Stealth Black, polished
Length		Art. no.	Art. no.	Art. no.
2000 mm (1 door)	✓	31.1111.620.11	31.1111.620.12	31.1111.620.15
2500 mm (1 door)	✓	31.1111.625.11	31.1111.625.12	31.1111.625.15
3000 mm (1 door)	✓	31.1111.630.11	31.1111.630.12	31.1111.630.15
4000 mm (2 doors)	✓	31.1121.640.11	31.1121.640.12	31.1121.640.15

## Ceiling Mounting



- | Max. door weight 69 kg
- | Glass type: tempered/laminated safety glass: 8 - 10.76 mm
- | Minimum door width: 500 mm
- | Door ratio: max. 1:2.5
- | Sales unit: 1 piece

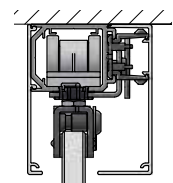


See also torque wrenches for mounting purposes on page 22.

	Softclose	Aluminium EV1	sim. to stainless steel, polished	Stealth Black, polished
Length		Art. no.	Art. no.	Art. no.
2000 mm (1 door)	✓	31.2111.620.11	31.2111.620.12	31.2111.620.15
3000 mm (1 door)	✓	31.2111.630.11	31.2111.630.12	31.2111.630.15
4000 mm (2 doors)	✓	31.2121.640.11	31.2121.640.12	31.2121.640.15

Rear cover for ceiling mounting (optional) Please note: Only needed if rear side of running track is visible.

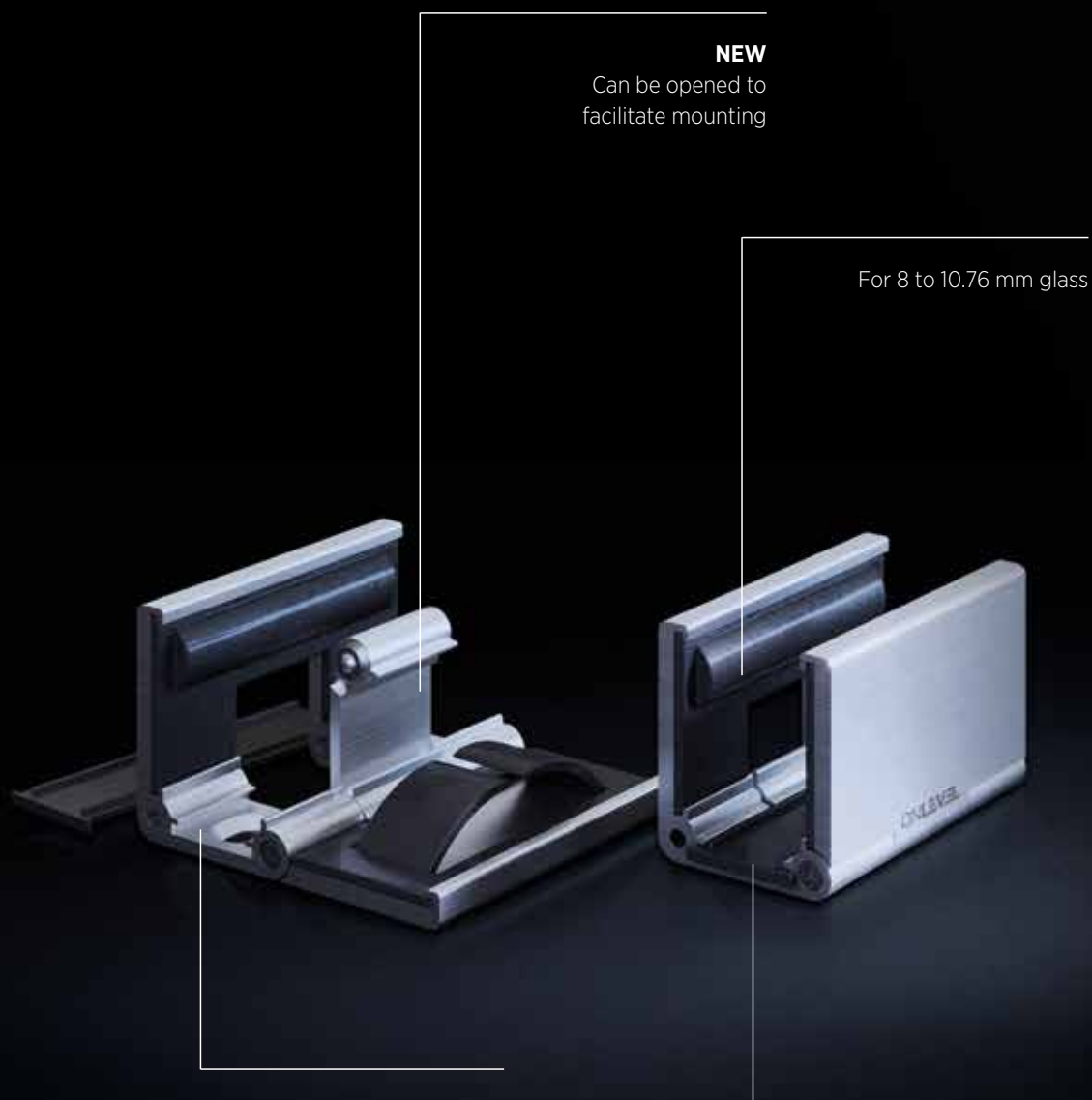
1000 mm	31.2600.010.11	31.2600.010.12	31.2600.010.15
2000 mm	31.2600.020.11	31.2600.020.12	31.2600.020.15
3000 mm	31.2600.030.11	31.2600.030.12	31.2600.030.15
4000 mm	31.2600.040.11	31.2600.040.12	31.2600.040.15



INFINITY **SLIDE 69** | GLASS INSTALLATION



# INFINITYSLIDE 69 | BOTTOM GUIDE FOR GLASS



**NEW**

Can be opened to facilitate mounting

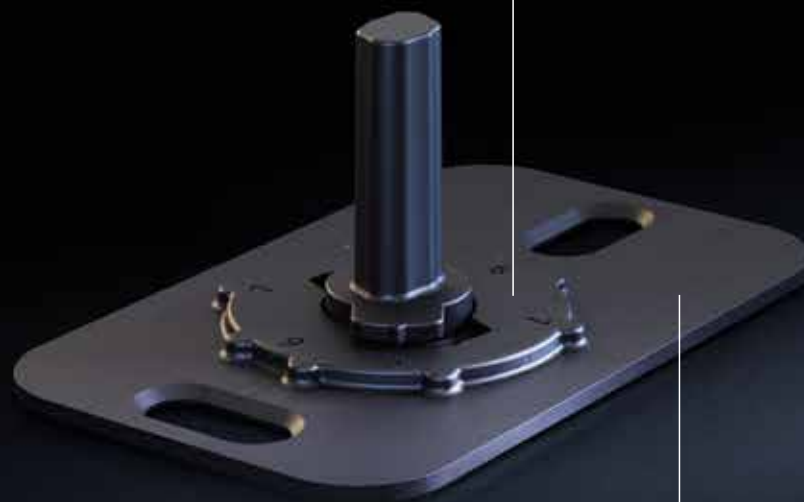
For 8 to 10.76 mm glass

As a standard, it can be mounted on the floor –  
**NEW:** It can also be mounted on the wall.

No fiddly grub screws needed for securing the construction.



# INFINITY**SLIDE 69** | BOTTOM GUIDE FOR WOOD



**Adjustable**  
for 5 mm, 6 mm  
or 7 mm groove width

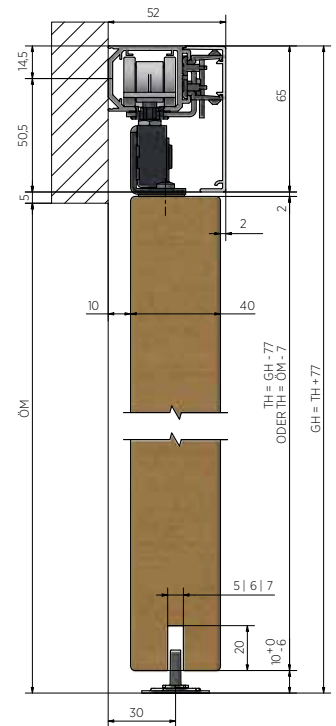
**Very flat** 1 mm only  
**Very stable** made from metal

# INFINITYSLIDE 69 | WOOD COMPLETE SET

## Wall mounting



- | Max. door weight 69 kg
- | Wooden door 35 - 42 mm
- | Bottom guide for 5 - 7 mm groove width
- | Minimum door width: 500 mm
- | Door ratio: max. 1:2.5
- | Sales unit: 1 piece



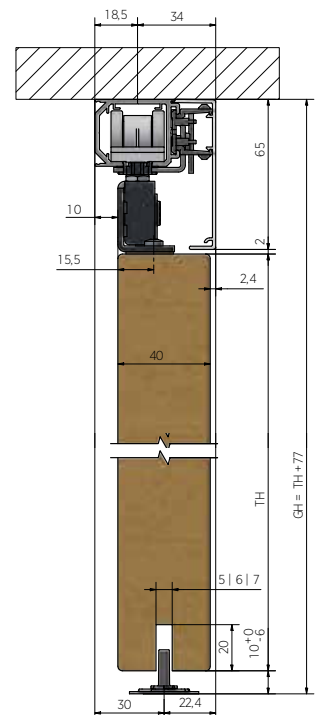
See also torque wrenches for mounting purposes on page 22.

	Softclose	Aluminium EV1	sim. to stainless steel, polished	Stealth Black, polished
Length		Art. no.	Art. no.	Art. no.
2000 mm (1 door)	✓	31.1211.620.11	31.1210.620.12	31.1210.620.15
3000 mm (1 door)	✓	31.1211.630.11	31.1210.630.12	31.1210.630.15
4000 mm (2 doors)	✓	31.1221.640.11	31.1221.640.12	31.1221.640.15

## Ceiling Mounting



- | Max. door weight 69 kg
- | Wooden door 35 - 42 mm
- | Bottom guide for 5 - 7 mm groove width
- | Minimum door width: 500 mm
- | Door ratio: max. 1:2.5
- | Sales unit: 1 piece

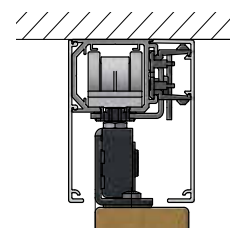


See also torque wrenches for mounting purposes on page 22.

	Softclose	Aluminium EV1	sim. to stainless steel, polished	Stealth Black, polished
Length		Art. no.	Art. no.	Art. no.
2000 mm (1 door)	✓	31.2211.620.11	31.2211.620.12	31.2211.620.15
3000 mm (1 door)	✓	31.2211.630.11	31.2211.630.12	31.2211.630.15
4000 mm (2 doors)	✓	31.2221.640.11	31.2221.640.12	31.2221.640.15

Rear cover for ceiling mounting (optional) Please note: Only needed if rear side of running track is visible.

1000 mm	31.2600.010.11	31.2600.010.12	31.2600.010.15
2000 mm	31.2600.020.11	31.2600.020.12	31.2600.020.15
3000 mm	31.2600.030.11	31.2600.030.12	31.2600.030.15
4000 mm	31.2600.040.11	31.2600.040.12	31.2600.040.15



INFINITY **SLIDE 69** | WOODEN INSTALLATION



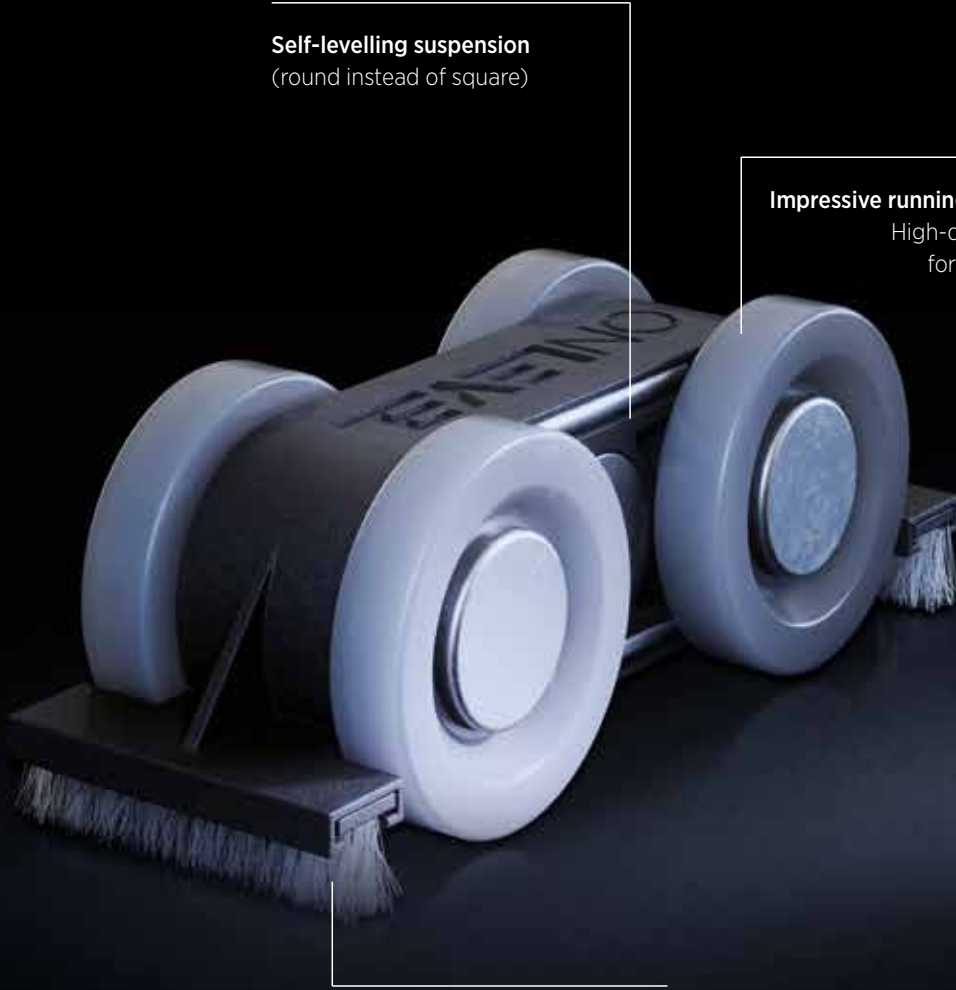
# THE SELF-CLEANING RUNNING TRACK.

At the very beginning, any fitting runs nice and smooth.

A good installer cleans the running surface of the track and the rolls of the carriages. Dust and slight dirt accumulate again after a short time, however, for example due to the abrasion of the rollers inside the running track. This can be prevented easily though.

But once the dirt sticks to the rollers, this can turn into a problem. They don't run smoothly any more and moving the sliding door feels like driving on a gravel road.

Our innovative system therefore cleans itself. The brushes on the front and rear of our "self-cleaning carriage" keep everything clean. In this way, the movements of the door seem like its maiden voyage, even after many years - it'll run even longer than Forrest Gump.



**Self-levelling suspension**  
(round instead of square)

**Impressive running smoothness**  
High-quality bearing  
for silent running

**Self-cleaning carriage**  
Brush on front and rear  
keeps the running surface clean

# INFINITYSLIDE 69 | GLASS COMPLEMENTARY SET

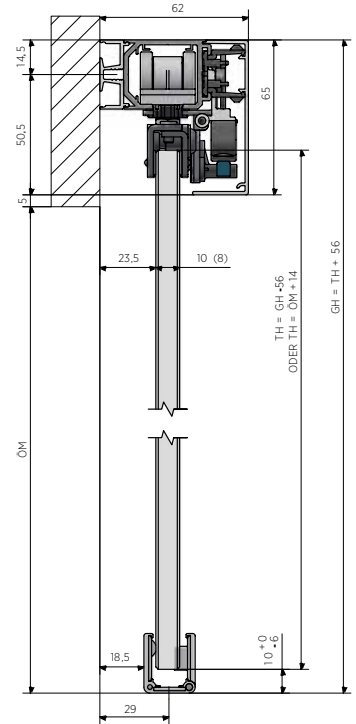
## Wall Distance Profile



- | Max. door weight 69 kg
- | For glass & wooden doors
- | Incl. extended end caps
- | Sales unit: 1 piece

With the aid of the wall distance profile, INFINITYSLIDE can easily be mounted **in front of the frame** or **in front of the base** with a visually appealing result. Your frame and base can remain installed as they are, avoiding you a lot of troublesome work.

	Aluminium EV1	sim. to stainless steel, polished	Stealth Black, polished
Length	Art. no.	Art. no.	Art. no.
2000 mm	31.3100.620.11	31.3100.620.12	31.3100.620.15
2500 mm	31.3100.625.11	31.3100.625.12	31.3100.625.15
4000 mm	31.3100.640.11	31.3100.640.12	31.3100.640.15



See also torque wrenches for mounting purposes on page 22.

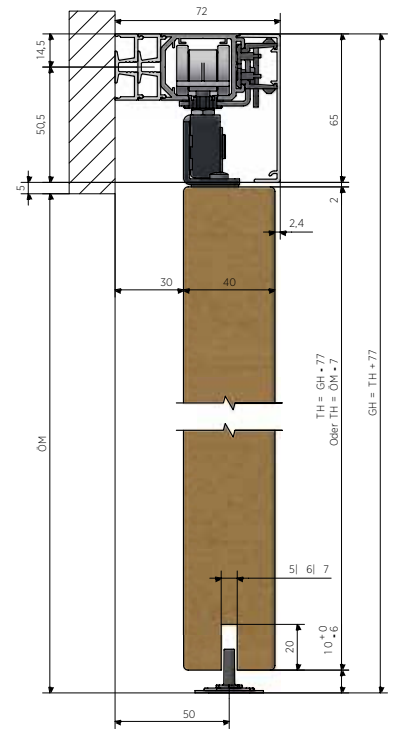
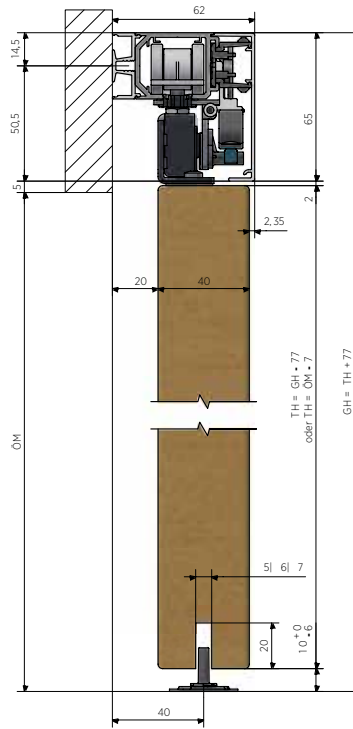
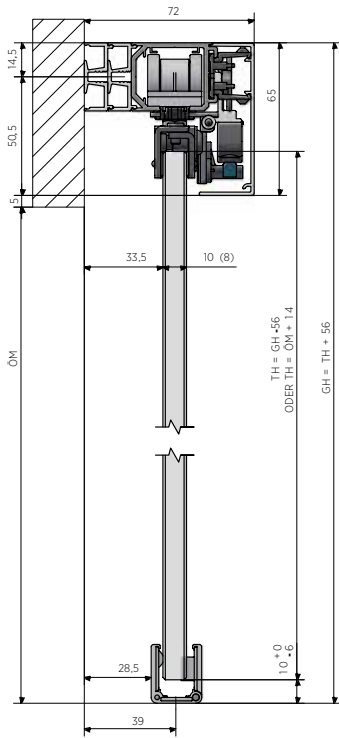
## For mounting **in front of the frame**



## For mounting **in front of the base**



# INFINITY SLIDE 69 | GLASS COMPLEMENTARY SET



For mounting **in front of the frame**



For mounting **in front of the base**



# SOFT-CLOSE WITH ACTIVE STOPPER.

**For us, consummate perfection is reached when there is nothing more to leave out.**

Things should work quickly and easily. That's why we have revolutionised the installation of Soft-Close. We have combined activator and stopper into one single component, the "active stopper". So, no need to mount both parts separately any more. But what is even better: Looking for the right installation position of both parts is no longer required either: We have simply included the right position as a fixed installation. In addition, you don't need to remember any longer to install the damper "pre-tensioned". Everything is already done – and that's "simply onlevelicious".

## **Quality that Proves Itself**

In this way we make sure that Soft-Close reliably drags the door into the final position, even after many years. And what is more: This gives us the opportunity to provide the smallest door width in the market – if not worldwide: 25 cm door width, including a damper on both sides.

Why did nobody think about anything like this before? Because the ONLEVEL Innovation Hotbed is making a full start with their sliding doors only now.



Spring remains pre-tensioned  
thanks to defined end position



Activator + stopper = active stopper

# INFINITYSLIDE 69 | GLASS COMPLEMENTARY SET

## Fixed Sidelight Set



- | Fixed sidelight support profile
- | U-profile, horizontal
- | U-profile, vertical
- | (always 2700 mm)
- | Incl. rubber seals
- | Incl. end caps
- | Sales unit: 1 piece

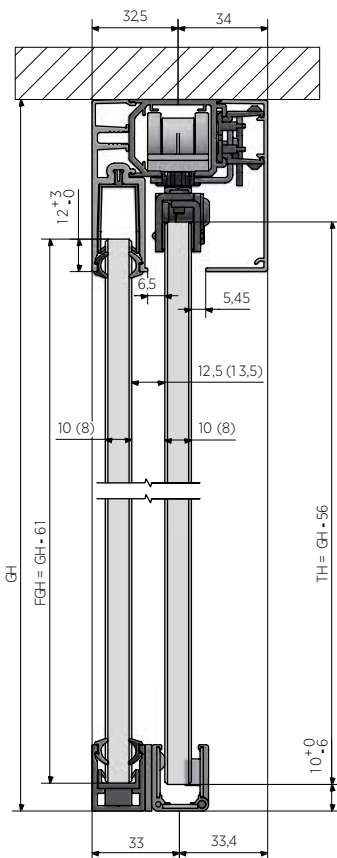
See also torque wrenches for mounting purposes on page 22.

		Aluminium EV1	sim. to stainless steel, polished	Stealth Black, polished
Length		Art. no.	Art. no.	Art. no.
2000 mm	for 1 sidelight	31.3010.620.11	31.3010.620.12	31.3010.620.15
3000 mm	for 1 sidelight	31.3010.630.11	31.3010.630.12	31.3010.630.15
3000 mm	for 2 sidelights	31.3020.630.11	31.3020.630.12	31.3020.630.15
4000 mm	for 2 sidelights	31.3020.640.11	31.3020.640.12	31.3020.640.15

INFINITYSLIDE Mounting tool for adjusting fixed sidelights: art. no. 31.9000.000.00

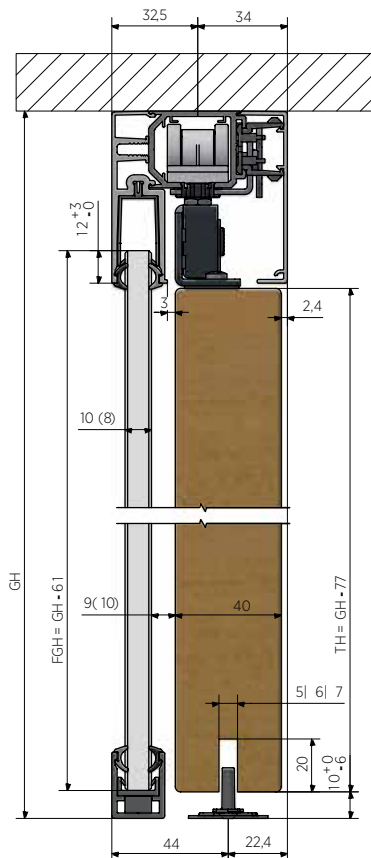
### Sectional drawing

Fixed sidelight set with complete set for glass



### Sectional drawing

Fixed sidelight set with complete set for wood





# INFINITYSLIDE 69 | HANDLES FOR BONDING

## Flush Handle, square



| Dimensions: 60 x 60 mm  
| Height: 10 mm  
| 3M adhesive tape  
| Sales unit: 1 pair

Model	Aluminium EV1	sim. to stainless steel, polished	Stealth Black, polished
Square	Art. no.	Art. no.	Art. no.
	32.0010.065.11	32.0010.065.12	32.0010.065.15

## Flush Handle, round



| Dimensions: Ø 65 mm  
| Height: 10 mm  
| 3M adhesive tape  
| Sales unit: 1 pair

Modell	Aluminium EV1	sim. to stainless steel, polished	Stealth Black, polished
Round	Art. no.	Art. no.	Art. no.
	32.0020.065.11	32.0020.065.12	32.0020.065.15

## Handlebar



| Dimensions: 15 x 300 mm  
| Height: 10 mm  
| 3M adhesive tape  
| Sales unit: 1 pair

Modell	Aluminium EV1	sim. to stainless steel, polished	Stealth Black, polished
Handle Strip	Art. no.	Art. no.	Art. no.
	32.1500.003.11	32.1500.003.12	32.1500.003.15

# INFINITY SLIDE 69 | HANDLEBAR FOR SCREW-FIXING

## Handlebar



- | Dimensions: Ø 25 mm
- | For glass and wooden doors
- | Glass cutout Ø 12 mm
- | Sales unit: 1 pair

Model		Aluminium EV1	stainless steel, polished	Stealth Black, powder-coated
Handlebar	Axial dimension	Art. no.	Art. no.	Art. no.
300 mm	200 mm	On request	32.2501.003.21	32.2501.003.18-JB
500 mm	340 mm	On request	32.2501.005.21	32.2501.005.18-JB
700 mm	540 mm	On request	32.2501.007.21	32.2501.007.18-JB
1000 mm	800 mm	On request	32.2501.010.21	On request
1200 mm	1000 mm	On request	32.2501.012.21	On request
1500 mm	650 mm (2x)	On request	32.2501.015.21	On request
1800 mm	800 mm (2x)	On request	32.2501.018.21	On request

## Torque wrench

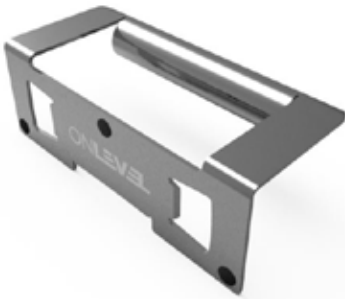


The glass clamping jaws of InfinitySlide (69 kg) must always be tightened with a torque of 10 Nm as otherwise the glass might slide downwards over time and finally touch the ground.

If you don't have a torque wrench yourself, ONLEVEL has the perfect tool for you.

Model	Aluminium EV1
Torque wrench	Art. no.
	90.0100.270.00

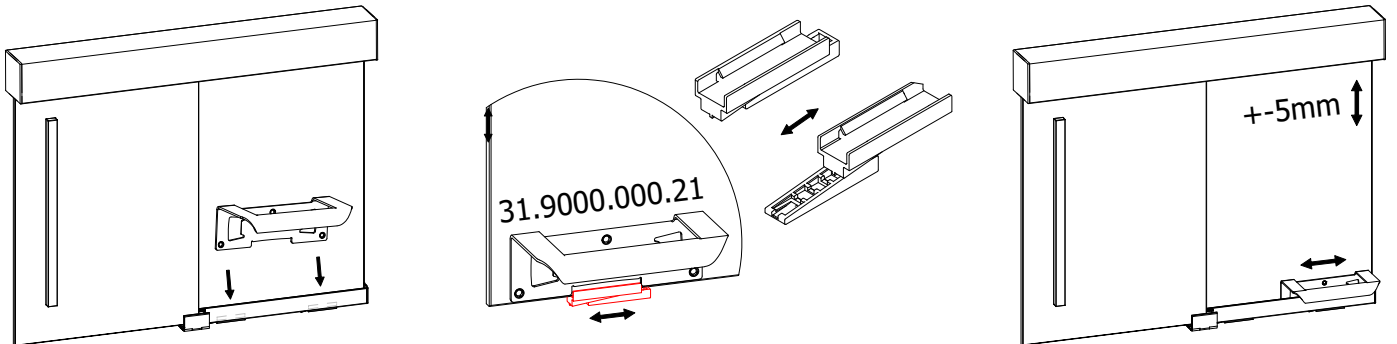
## High adjustment tool for fixed sidelight



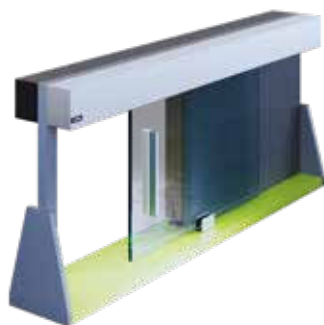
Would you like to ensure that the edges between your fixed sidelight and the movable glass element are 100% uniform?

Use our "InfinitySlide, the height adjustment tool for fixed sidelights". This tool helps you adjust the height of the U profile via a plastic part at its bottom and ensures a 100% uniform edge contour.

Model	
Tool	Art. no.
	31.9000.000.21



## Table Display



| Sales unit: 1 piece

Eye-catching on any counter ... and:  
fits into any boot.

Model	Glass/wood	Glass/fixed sidelight
Table Display	Art. no. 88.0100.000.00	Art. no. 88.0200.000.00

---



**ONLEVEL**

**ONLEVEL GmbH** | Budberger Straße 5 | 46446 Emmerich am Rhein | Germany  
+49 (0)2822 97514-0 | [info@onlevel.com](mailto:info@onlevel.com) | [www.onlevel.com](http://www.onlevel.com)