

ONLEVEL

SHOWER DOOR HINGES
ZUPPA, EXCITE, XTREME, LIFT

FEATURES	ZUPPA	EXCITE	XTREME	LIFT
Base material brass	✓	✓	✓	✓
Available in shiny chrome-plated finish	✓	✓	✓	✓
Available in Stealth Black finish		✓	✓	
Suitable for 8 mm tempered glass	✓	✓	✓	✓
Suitable for 10 mm tempered glass	✓	✓	✓	✓
Max. glass weight 40 kg (considering the maximum dimensions)	✓			(✓)
Max. glass weight 45 kg (considering the maximum dimensions)		✓	✓	
Adjustable zero position		✓	✓	
Pendulum function		✓	✓	
Automatic closing function		✓	✓	✓
Lifting function				✓
Cover caps fastened with ball-spring system		✓	✓	✓
Cover caps fastened with grub screws	✓			
Glass-glass connections possible	✓	✓	✓	✓
Tested for splash water density as per DIN EN 14428 and TR 24 Stability and durability	✓	✓	✓	✓

TABLE OF CONTENTS

SHOWER DOOR HINGES



04 ZUPPA

SHOWER DOOR HINGE FOR ONE-SIDE OPENING DOORS



10 EXCITE

SWINGING SHOWER DOOR HINGE



16 XTREME

SWINGING SHOWER DOOR HINGE



22 LIFT

SHOWER DOOR HINGE FOR ONE-SIDE OPENING DOORS WITH RISE AND FALL MECHANISM

28 REINFORCEMENT BARS

36 HANDLES

42 SEALING STRIPS

48 U PROFILES

50 MIRROR PROFILES

ZUPPA

The shower door hinge

ZUPPA tight and easy

The **ZUPPA** shower door hinges are a zuppa solution for shower doors. Designed as hinges for one-side opening doors, they enable the sealing strips to be guided through the hinge. **ZUPPA** is zuppa sexy and zuppa classy, installation is as easy as can be with **ZUPPA** and the screws are concealed, of course.

For the Zuppa Troupers among you: You can mount **ZUPPA** zuppa easily with sealing strips that can be guided through the hinge. But please keep in mind that you should always use **ZUPPA** with sealing profiles to avoid overloading the door and thus glass breakage. The catch can also be mounted zuppa easily with the aid of magnetic seals.

The fittings from the **ZUPPA** series meet all requirements with regard to tightness, stability and durability (opening cycles) as per DIN EN 14428 or Technical Guideline No. 24.

Essential Features

- | Clear-cut design
- | Versatile in use
- | For 8 to 10 mm glass
- | Up to 40 kg
- | Material: brass, shiny chrome-plated
- | Screws concealed thanks to cover caps
- | Successfully tested for splash water density as per DIN EN 14428 and TR 24 and for more than 100,000 opening and closing cycles
- | You will find PDF and DWG files for fittings and glass cut-outs on our website for download.



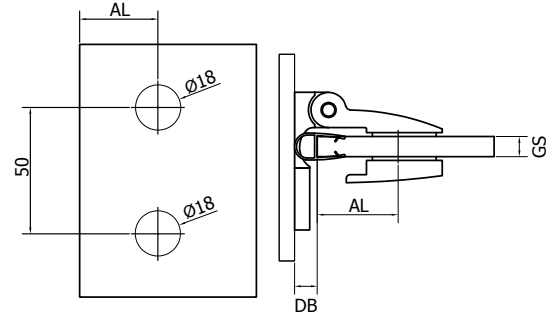
ZUPPA | SHOWER DOOR HINGE

ZUPPA Hinge for One-Side Opening Doors, glass-wall 90°, opens outwards



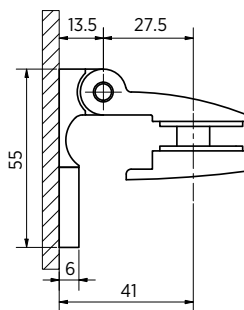
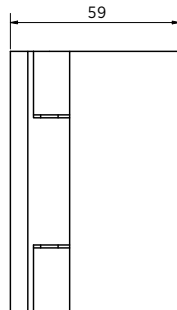
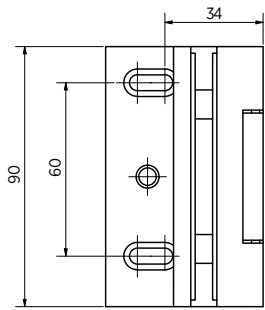
- | Glass thickness: 8/10 mm
- | Max. 40 kg
- | Brass, shiny chrome-plated
- | Sales unit: 2 pieces

- | Suitable sealing strip: page 45, ON06



Model 2005	
Finish	Art. no.
Shiny chrome-plated	23.2005.090.65

Glass processing with sealing strip ON06



Glass thickness (GS)	8 mm	10 mm
AL	32 mm	31 mm

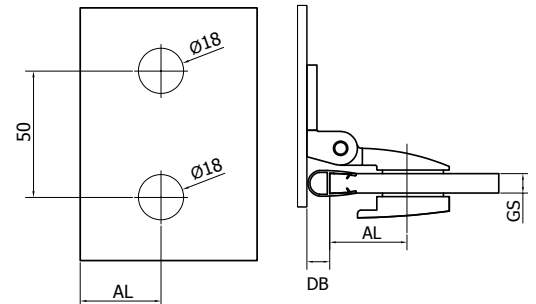
Seal required to avoid overloading the door. When another sealing profile is used, the glass cut-out must be adjusted accordingly.

ZUPPA Hinge for One-Side Opening Doors, glass-wall 90°, opens inwards



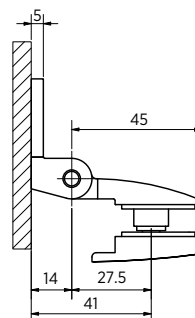
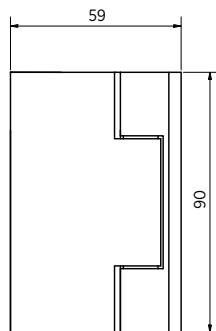
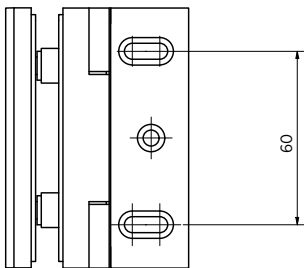
- | Glass thickness: 8/10 mm
- | Max. 40 kg
- | Brass, shiny chrome-plated
- | Sales unit: 2 pieces

- | Suitable sealing strip: page 45, ON06



Model 2000	
Finish	Art. no.
Shiny chrome-plated	23.2000.090.65

Glass processing with sealing strip ON06



Glass thickness (GS)	8 mm	10 mm
AL	32 mm	31 mm

Seal required to avoid overloading the door. When another sealing profile is used, the glass cut-out must be adjusted accordingly.

ZUPPA | SHOWER DOOR HINGE

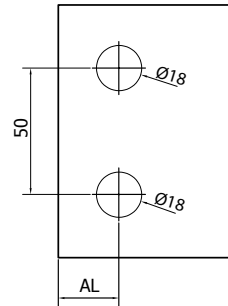
ZUPPA Hinge for One-Side Opening Doors, glass-glass 180°, opens outwards



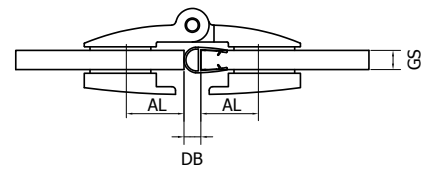
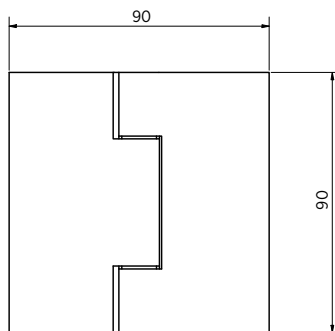
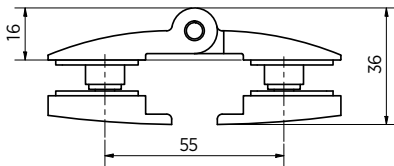
- | Glass thickness: 8/10 mm
- | Max. 40 kg
- | Brass, shiny chrome-plated
- | Sales unit: 2 pieces

- | Suitable sealing strip: page 45, ON06

Model 2015	
Finish	Art. no.
Shiny chrome-plated	23.2015.180.65



Glass processing with sealing strip ON06



Glass thickness (GS)	8 mm	10 mm
AL	23 mm	22 mm

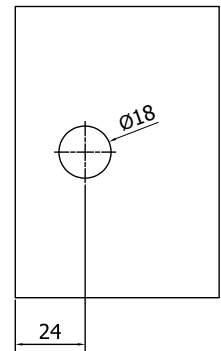
Seal required to avoid overloading the door. When another sealing profile is used, the glass cut-out must be adjusted accordingly.

ZUPPA Corner Clamp, glass-wall 90°

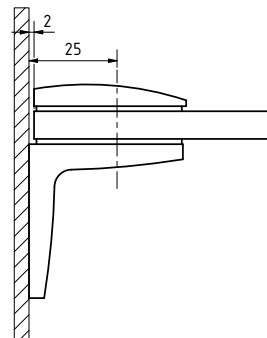
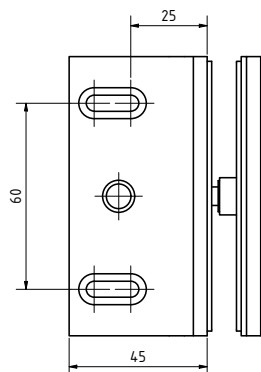
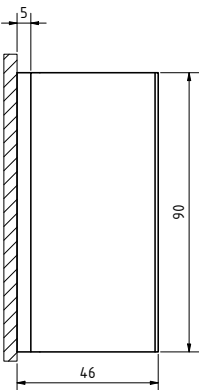


- | Glass thickness: 8/10 mm
- | Max. 40 kg
- | Brass, shiny chrome-plated
- | Sales unit: 2 pieces

Model 1100	
Finish	Art. Nr.
Shiny chrome-plated	23.2100.090.65



Glass processing 8 und 10 mm with sealing strip



When a sealing profile is used, the glass cut-out must be adjusted accordingly.

SHOWER DOOR HINGE | ZUPPA

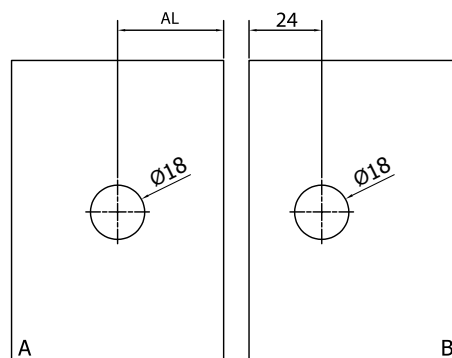
ZUPPA Corner Clamp, glass-glass 90°



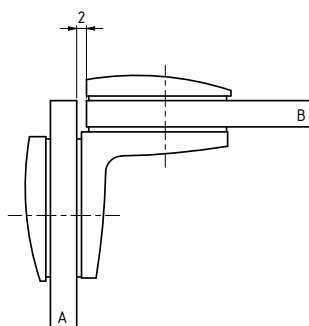
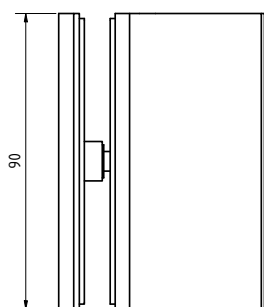
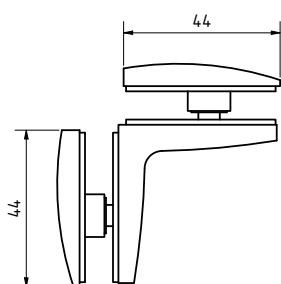
- | Glass thickness: 8/10 mm
- | Max. 40 kg
- | Brass, shiny chrome-plated
- | Sales unit: 2 pieces

Modell 2005

Finish	Art. Nr.
Shiny chrome-plated	23.2110.090.65



Glass processing 8 und 10 mm with and without sealing strip



Glass thickness (GS)	8 mm	10 mm
AL	35 mm	37 mm

When a sealing profile is used, the glass cut-out must be adjusted accordingly.

SHOWER DOOR HINGE | ZUPPA



EXCITE

The shower door hinge

I'm so EXCITED

Our **EXCITE** swinging door hinge is not only rather impressive but **EXCITE** combines aesthetics with functionality in an almost mysterious way. **EXCITE** has minimum gap sizes and skilfully conceals what might excite. The adjusting screw for the zero position is not visible either, yet can be reached and handled easily. The hinge axis can do without grooves as our innovative clamping technique enables a precise adjustment of the zero position down to the millimetre.

As a matter of fact, **EXCITE** can be mounted easily and without a profile. The sealing strips must be interrupted in the hinge area.

The fittings from the **EXCITE** series meet all requirements with regard to tightness, stability and durability (opening cycles) as per DIN EN 14428 or Technical Guideline No. 24.

Essential Features

- | Aesthetics meets functionality
- | Material brass, finish available in shiny chrome-plated or Stealth Black
- | Minimum gap sizes
- | Adjustable zero position
- | Up to 45 kg glass
- | Screws concealed thanks to cover caps
- | Screw tightening torque
Zero position adjustment: 3.5 Nm
- | Successfully tested for splash water density as per DIN EN 14428 and TR 24 and for more than 100,000 opening and closing cycles
- | You will find PDF and DWG files for fittings and glass cut-outs on our website for download.



EXCITE | SHOWER DOOR HINGE

EXCITE Swinging Shower Door Hinge, glass-wall 90° with zero position adjustment

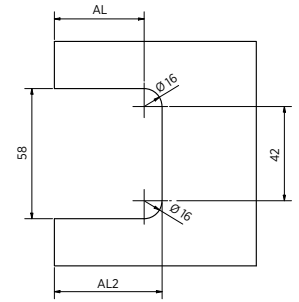
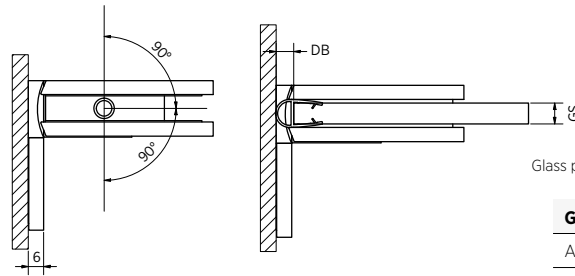
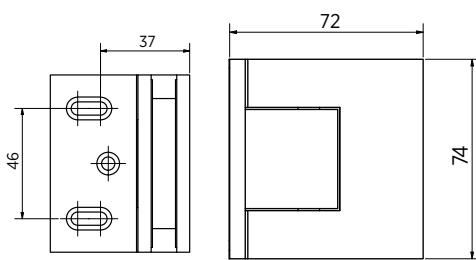


- | Glass thickness: 8/10 mm
- | Max. 45 kg
- | Brass
- | Sales unit: 2 pieces

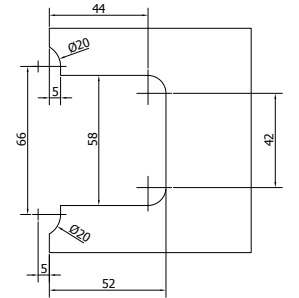
| Suitable sealing strip: page 45, ON06

Model 1000

Finish	Art. no.
Shiny chrome-plated	23.1000.090.65
Stealth Black	23.1000.090.66-SB



Glass processing with sealing strip ON06



Glass processing, 8 mm and 10 mm, without sealing strip

Glass thickness (GS)	8 mm	10 mm
AL	38 mm	37 mm
AL2	46 mm	45 mm

When using a different sealing profile, the glass cut-out must be adjusted accordingly.

EXCITE Swinging Shower Door Hinge, glass-glass 180° with zero position adjustment



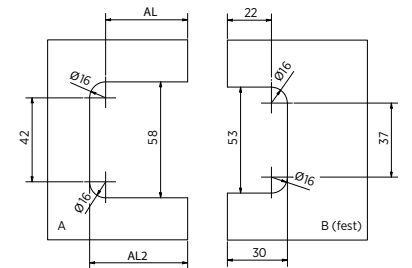
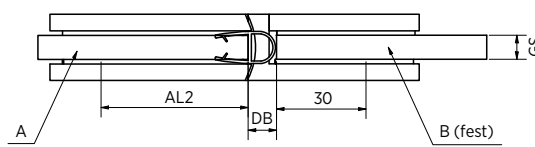
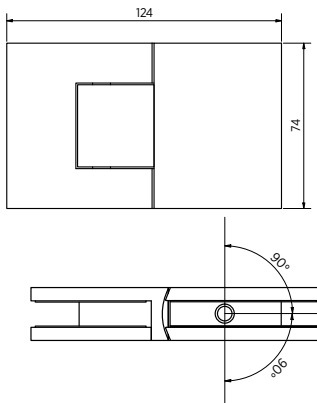
- | Glass thickness: 8/10 mm
- | Max. 45 kg
- | Brass
- | Sales unit: 2 pieces

| Suitable sealing strip: page 45, ON06

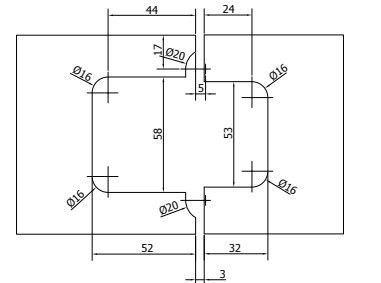
Model 1010

Finish	Art. no.
Shiny chrome-plated	23.1010.180.65
Stealth Black	23.1010.180.66-SB

V



Glass processing with sealing strip ON06



Glass processing, 8 mm and 10 mm, without sealing strip

Glass thickness (GS)	8 mm	10 mm
AL	41 mm	40 mm
AL2	49 mm	48 mm

When using a different sealing profile, the glass cutout must be adjusted accordingly.

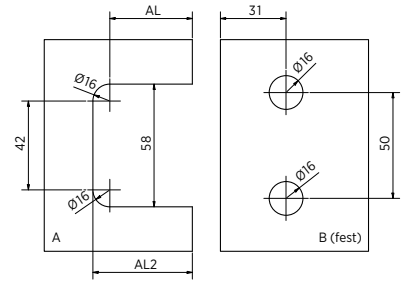
EXCITE | SHOWER DOOR HINGE

EXCITE Swinging Shower Door Hinge, glass-glass 90° with zero position adjustment



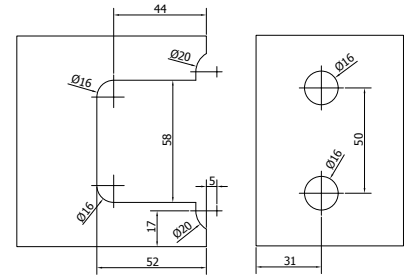
- | Glass thickness: 8/10 mm
- | Max. 45 kg
- | Brass
- | Sales unit: 2 pieces

- | Suitable sealing strip: page 45, ON06

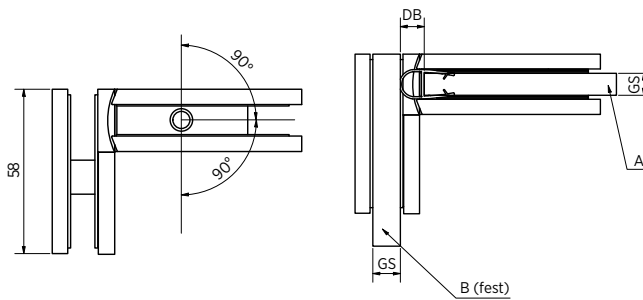
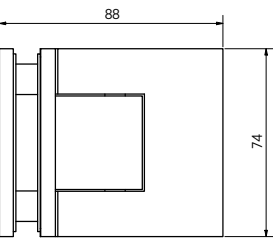


Glass processing with sealing strip ON06

Model 1010	
Finish	Art. no.
Shiny chrome-plated	23.1010.090.65
Stealth Black	23.1010.090.66-SB



Glass processing, 8 mm and 10 mm, without sealing strip



Glass thickness (GS)	8 mm	10 mm
AL	39 mm	38 mm
AL2	47 mm	46 mm

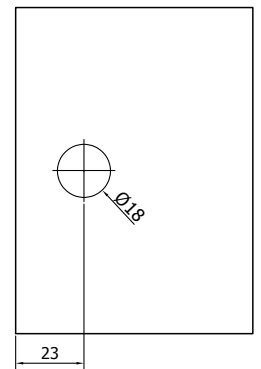
When using a different sealing profile, the glass cut-out must be adjusted accordingly.

EXCITE Corner Clamp, glass-wall 90°

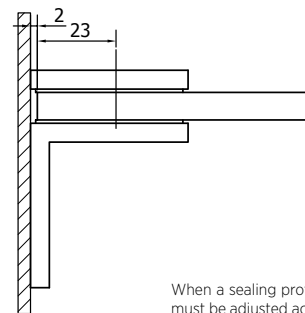
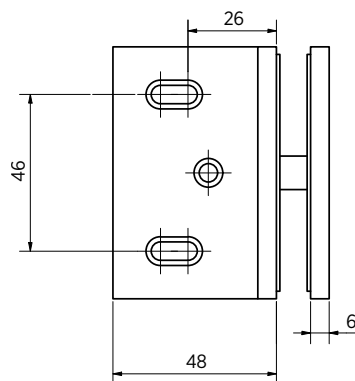
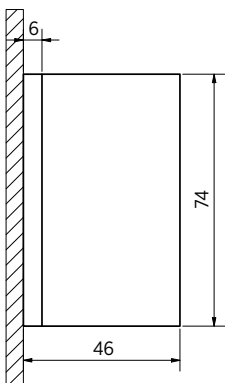


- | Glass thickness: 8/10 mm
- | Max. 45 kg
- | Brass
- | Sales unit: 2 pieces

Model 1100	
Finish	Art. no.
Shiny chrome-plated	23.1100.090.65
Stealth Black	23.1100.090.66-SB



Glass processing, 8 mm and 10 mm, without sealing strip



When a sealing profile is used, the glass cut-out must be adjusted accordingly.

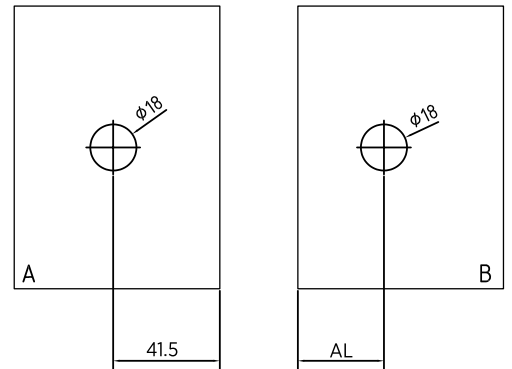
EXCITE | SHOWER DOOR HINGE

EXCITE Corner Clamp, glass-glass 90°

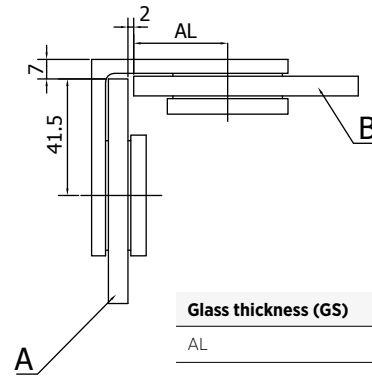
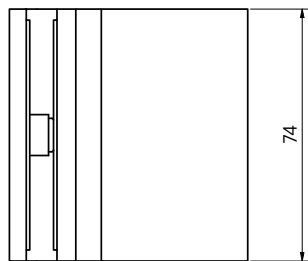
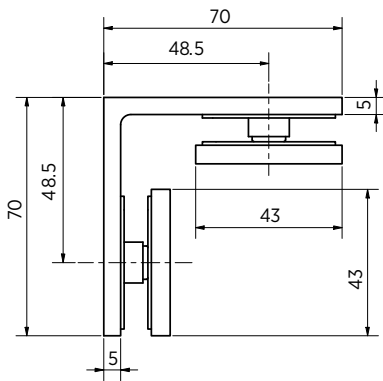


- | Glass thickness: 8/10 mm
- | Max. 45 kg
- | Brass
- | Sales unit: 2 pieces

Model 1110	
Finish	Art. no.
Shiny chrome-plated	23.1110.090.65
Stealth Black	23.1110.090.66-SB



Glass processing, 8 mm and 10 mm, without sealing strip



Glass thickness (GS)	8 mm	10 mm
AL	32 mm	30 mm

When a sealing profile is used, the glass cut-out must be adjusted accordingly.

EXCITE | SHOWER DOOR HINGE



XTREME

The shower door hinge

XTREME

We have given our high-quality **XTREME** shower door hinge a whole new look. **XTREME** has become more classy, not to say fancy. In addition, you can mount it quickly and easily – as always. The newly created, modern look ideally matches different fittings thanks to its round and square elements. So you can rest assured that we have designed **XTREME** in such a way that neither screws, nor end caps, nor the zero position adjustment are visible. And our Innovation Hotbed has also had the water drainage options in mind. Thanks to smallest gap sizes with carefully sculpted lines, water leakages have been reduced to a minimum.

The fittings from the **XTREME** series meet all requirements with regard to tightness, stability and durability (opening cycles) as per DIN EN 14428 or Technical Guideline No. 24.

Essential Features

- | Classic design with a new look
- | Material brass, finish available in shiny chrome-plated or Stealth Black
- | Minimum gap sizes
- | Adjustable zero position
- | Up to 45 kg glass
- | Screws concealed thanks to cover caps
- | Screw tightening torque
Zero position adjustment: 3.5 Nm
- | Successfully tested for splash water density as per DIN EN 14428 and TR 24 and for more than 100,000 opening and closing cycles
- | You will find PDF and DWG files for fittings and glass cut-outs on our website for download.



XTREME | SHOWER DOOR HINGE

XTREME Swinging Shower Door Hinge, glass-wall 90° with zero position adjustment

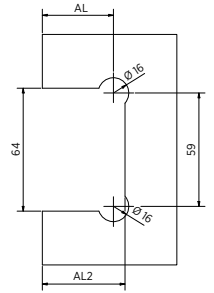


- | Glass thickness: 8/10 mm
- | Max. 45 kg
- | Brass
- | Sales unit: 2 pieces

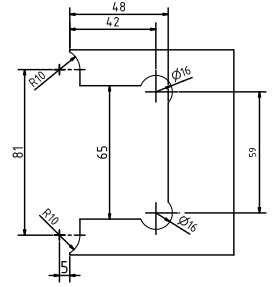
| Suitable sealing strip: page 45, ON06

Model 4000

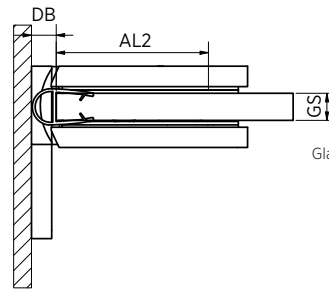
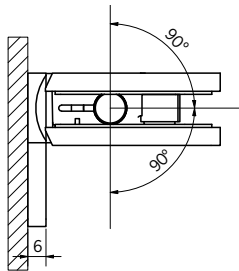
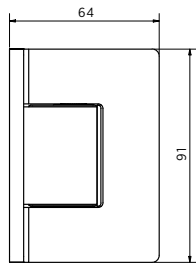
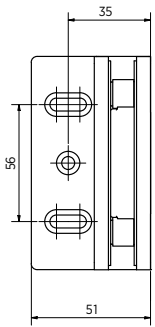
Finish	Art. no.
Shiny chrome-plated	23.4000.010.65
Stealth Black	23.4000.010.66-SB



Glass processing with sealing strip ON06



Glass processing, 8 mm and 10 mm, without sealing strip



Glass thickness (GS)	8 mm	10 mm
AL	36 mm	35 mm
AL2	42 mm	41 mm

When using a different sealing profile, the glass cut-out must be adjusted accordingly.

XTREME Swinging Shower Door Hinge, glass-wall 90° with zero position adjustment

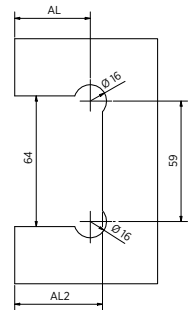


- | Both sides wall mounted
- | Glass thickness: 8/10 mm
- | Max. 45 kg
- | Brass
- | Sales unit: 2 pieces

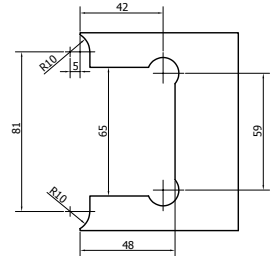
| Suitable sealing strip: page 45, ON06

Model 4000

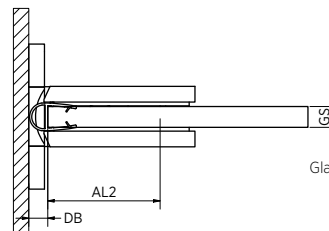
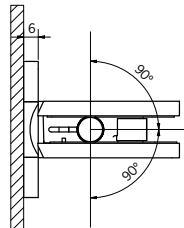
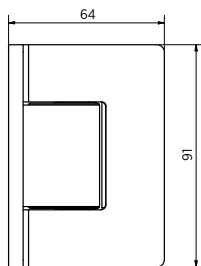
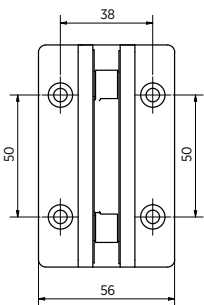
Finish	Art. no.
Shiny chrome-plated	23.4000.012.65
Stealth Black	23.4000.012.66-SB



Glass processing with sealing strip ON06



Glass processing, 8 mm and 10 mm, without sealing strip



Glass thickness (GS)	8 mm	10 mm
AL	36 mm	35 mm
AL2	42 mm	41 mm

When using a different sealing profile, the glass cut-out must be adjusted accordingly.

XTREME | SHOWER DOOR HINGE

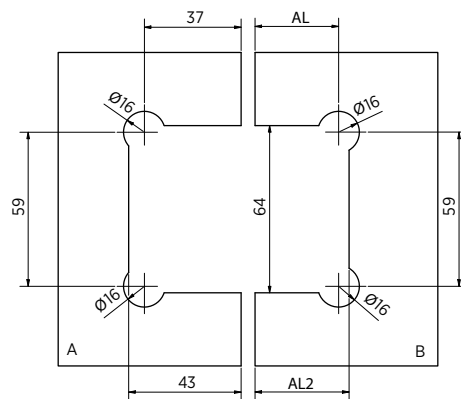
XTREME Swinging Shower Door Hinge, glass-glass 180° with zero position adjustment



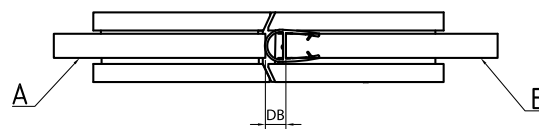
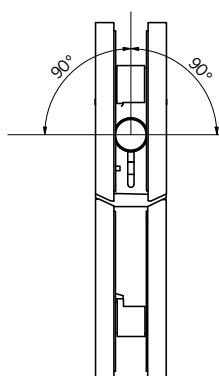
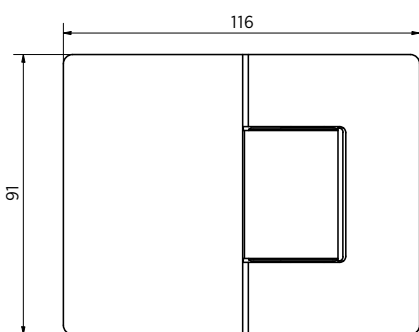
- | Glass thickness: 8/10 mm
- | Max. 45 kg
- | Brass
- | Sales unit: 2 pieces

- | Suitable sealing strip: page 45, ON06

Model 4000	
Finish	Art. no.
Shiny chrome-plated	23.4000.016.65
Stealth Black	23.4000.016.66-SB



Glass processing, 8 mm and 10 mm, with and without sealing strip



Glass thickness (GS)	8 mm	10 mm	without sealing strip
AL	31 mm	29 mm	38 mm
AL2	35 mm	33 mm	44 mm

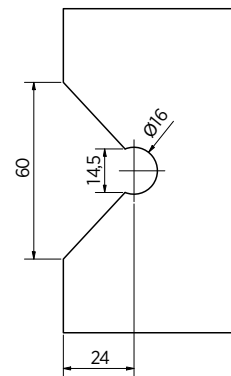
When using a different sealing profile, the glass cut-out must be adjusted accordingly.

XTREME Corner Clamp, glass-wall 90°

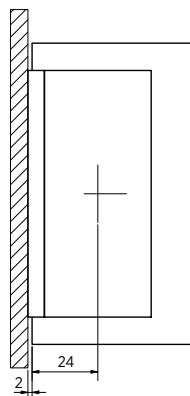
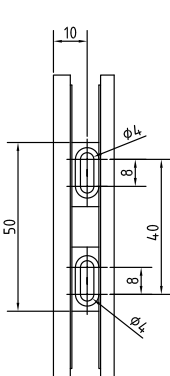
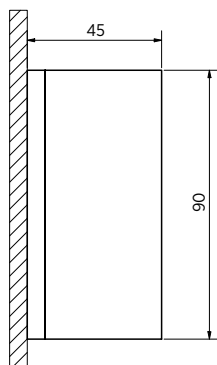


- | Glass thickness: 8/10 mm
- | Max. 45 kg
- | Brass
- | Sales unit: 2 pieces

Model 4000	
Finish	Art. no.
Shiny chrome-plated	23.4000.020.65
Stealth Black	23.4000.020.66-SB



Glass processing, 8 mm and 10 mm, without sealing strip



When a sealing profile is used, the glass cut-out must be adjusted accordingly.

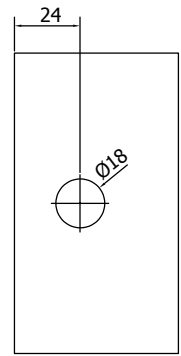
XTREME | SHOWER DOOR HINGE

XTREME Corner Clamp, glass-wall 90°

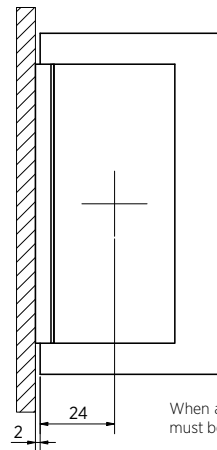


- | Glass thickness: 8/10 mm
- | Max. 45 kg
- | Brass
- | Sales unit: 2 pieces

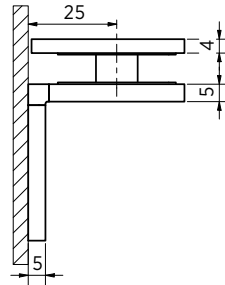
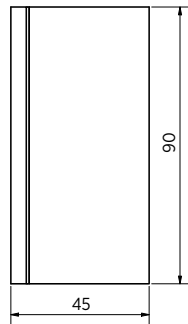
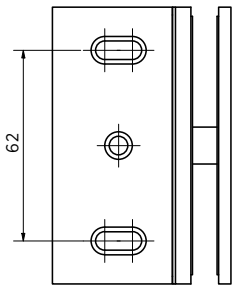
Model 4010	
Finish	Art. no.
Shiny chrome-plated	23.4010.010.65
Stealth Black	23.4010.010.66-SB



Glass processing, 8 mm and 10 mm, without sealing strip



When a sealing profile is used, the glass cut-out must be adjusted accordingly.

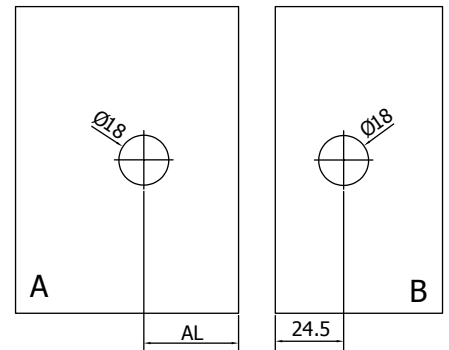


XTREME Corner Clamp, glass-glass 90°

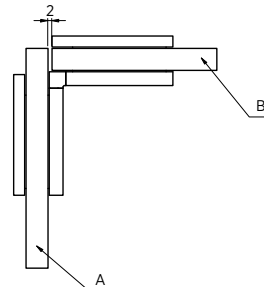
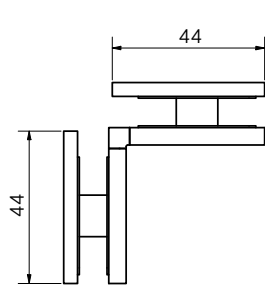
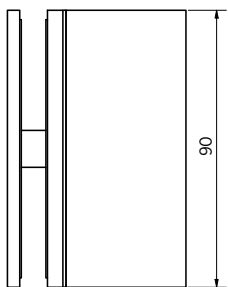


- | Glass thickness: 8/10 mm
- | Max. 45 kg
- | Brass
- | Sales unit: 2 pieces

Model 4010	
Finish	Art. no.
Shiny chrome-plated	23.4010.012.65
Stealth Black	23.4010.012.66-SB



Glass processing, 8 mm and 10 mm, without sealing strip



Glass thickness (GS)	8 mm	10 mm
AL	34.5 mm	36.5 mm

When a sealing profile is used, the glass cut-out must be adjusted accordingly.

XTREME | SHOWER DOOR HINGE



LIFT

The shower door hinge

Lift up your life

Our **LIFT** shower door hinge has everything in sight. Thanks to its rise and fall mechanism of our proven chamfer, the hinge for wall mounting has just everything you need for your shower door. **LIFT** makes life in your bathroom especially easy for you: The rise and fall mechanism enables **LIFT** to close by itself and remain in open position at around 90°.

The fittings from the **LIFT** series meet all requirements with regard to tightness, stability and durability (opening cycles) as per DIN EN 14428 or Technical Guideline No. 24.

Essential Features

- | Classic design with a modern look
- | Hold position at 90°
- | Closes automatically
- | Bellow seal on lower glass edge possible
- | Stroke 3 mm
- | Material chrome-plated brass
- | Screws concealed thanks to cover caps
- | Successfully tested for splash water density as per DIN EN 14428 and TR 24 and for more than 100,000 opening and closing cycles
- | You will find PDF and DWG files for fittings and glass cut-outs on our website for download.



LIFT | SHOWER DOOR HINGE

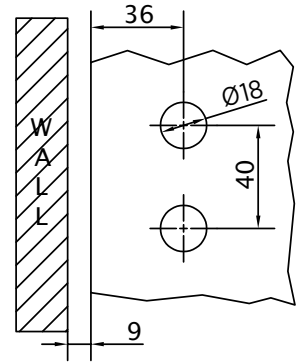
LIFT Shower Door Hinge, glass-wall 90°, left, rise and fall mechanism



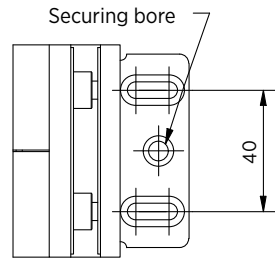
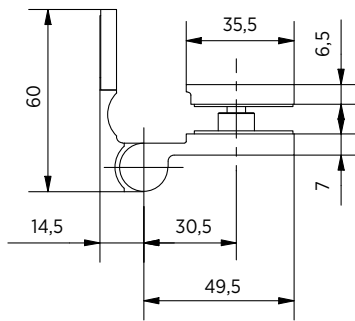
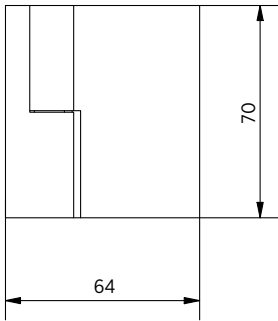
- | Glass thickness: 8/10 mm
- | Max. 40 kg
- | Brass, shiny chrome-plated
- | Sales unit: 2 pieces

| Suitable sealing strip: page 45, ON06

Model 3300	
Finish	Art. no.
Shiny chrome-plated	23.3300.090.65



Glass processing with sealing strip ON06



Seal or stop necessary to prevent the door from being pressed over. If a different sealing profile is used, the glass cut-out must be adjusted accordingly.

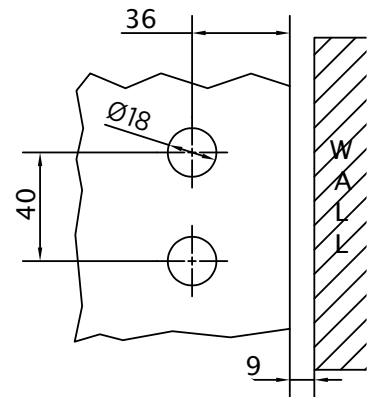
LIFT Shower Door Hinge, glass-wall 90°, right, rise and fall mechanism



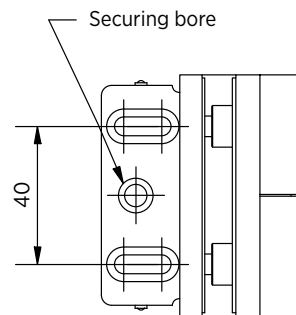
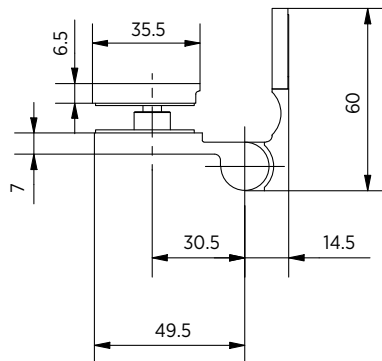
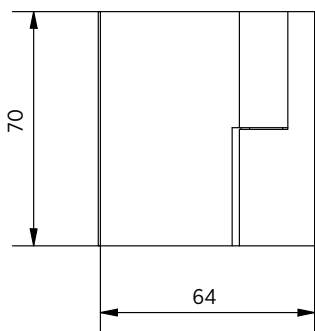
- | Glass thickness: 8/10 mm
- | Max. 40 kg
- | Brass, shiny chrome-plated
- | Sales unit: 2 pieces

| Suitable sealing strip: page 45, ON06

Model 3200	
Finish	Art. no.
Shiny chrome-plated	23.3200.090.65



Glass processing with sealing strip ON06



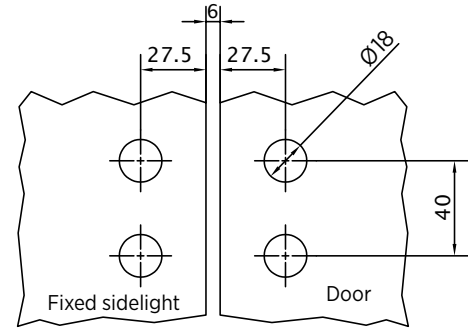
Seal or stop necessary to prevent the door from being pressed over. If a different sealing profile is used, the glass cut-out must be adjusted accordingly.

LIFT | SHOWER DOOR HINGE

LIFT Shower Door Hinge, glass-glass 180°, left, rise and fall mechanism

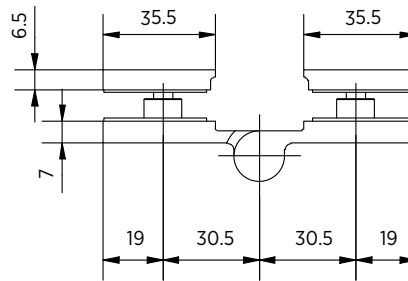
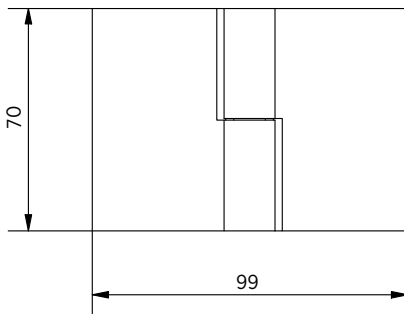


- | Glass thickness: 8/10 mm
- | Max. 35 kg
- | Brass, shiny chrome-plated
- | Sales unit: 2 pieces
- | Suitable sealing strip: page 45, ON06



Modell 3310	
Finish	Art. no.
Shiny chrome-plated	23.3310.180.65

Glass processing, 8 mm and 10 mm, without sealing strip

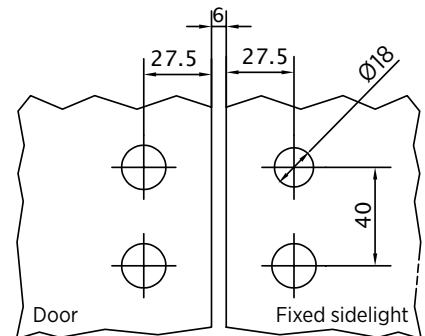


Seal or stop necessary to prevent the door from being pressed over. If a different sealing profile is used, the glass cut-out must be adjusted accordingly.

LIFT Shower Door Hinge, glass-glass 180°, right, rise and fall mechanism

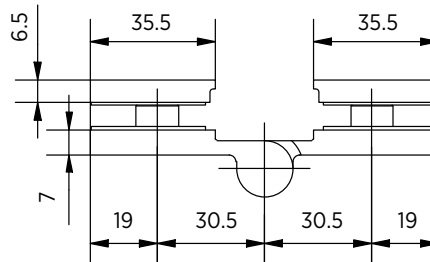
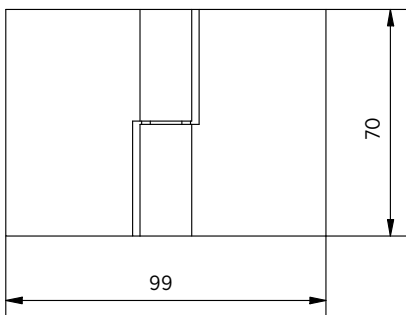


- | Glass thickness: 8/10 mm
- | Max. 35 kg
- | Brass, shiny chrome-plated
- | Sales unit: 2 pieces
- | Suitable sealing strip: page 45, ON06



Model 3210	
Finish	Art. no.
Shiny chrome-plated	23.3210.180.65

Glass processing, 8 mm and 10 mm, without sealing strip



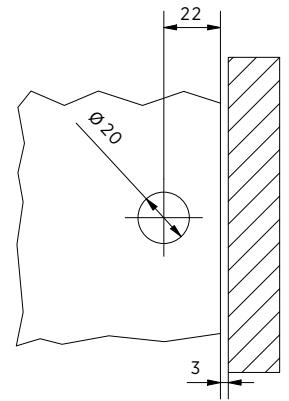
Seal or stop necessary to prevent the door from being pressed over. If a different sealing profile is used, the glass cut-out must be adjusted accordingly.

LIFT | SHOWER DOOR HINGE

LIFT Corner Connector, glass-wall 90° with cover cap

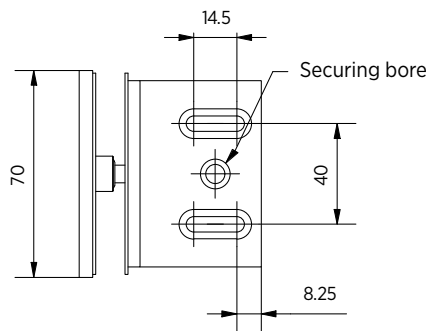
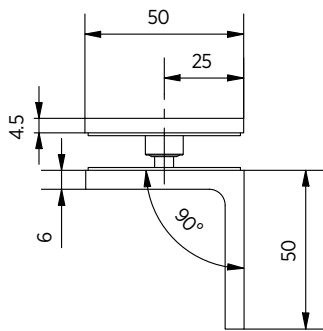


- | Glass thickness: 8/10 mm
- | Max. 35 kg
- | Brass, shiny chrome-plated
- | Sales unit: 2 pieces



Model 3100	
Finish	Art. no.
Shiny chrome-plated	23.3100.090.65

Glass processing, 8 mm and 10 mm, without sealing strip

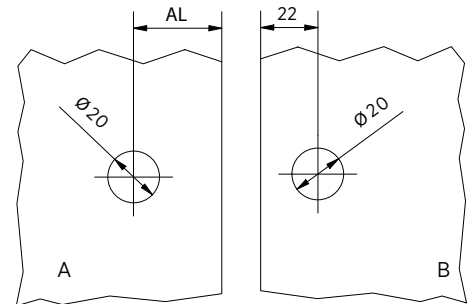


When a sealing profile is used, the glass cut-out must be adjusted accordingly.

LIFT Corner Connector, glass-glass 90° with cover cap

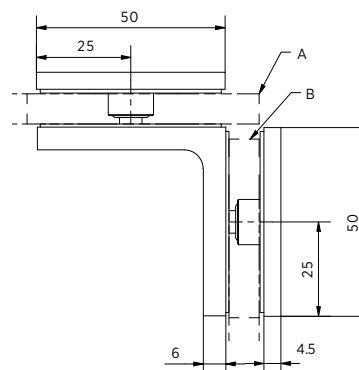
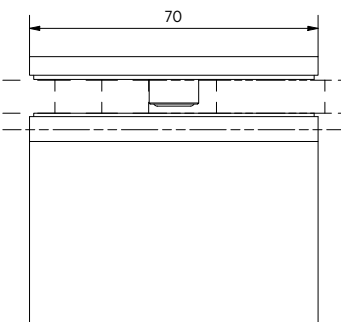


- | Glass thickness: 8/10 mm
- | Max. 35 kg
- | Brass, shiny chrome-plated
- | Sales unit: 2 pieces



Model 3110	
Finish	Art. no.
Shiny chrome-plated	23.3110.090.65

Glass processing, 8 mm and 10 mm, without sealing strip



Glass thickness (GS)	8 mm	10 mm
AL	34 mm	36 mm

When a sealing profile is used, the glass cut-out must be adjusted accordingly.

LIFT | SHOWER DOOR HINGE



REINFORCEMENT BARS

The reinforcement bars

FORM FOLLOWS FUNCTION!

Our “ONLEVEL Round” series combines form with function. The numerous varieties stabilise practically any shower type.

Essential Features

- | Simple mounting
- | Can be trimmed as needed
- | No glass cut-outs or bore holes required
- | All connection parts have the same application height
- | Suitable for 8 – 10 mm glass
- | You will find PDF and DWG files for fittings and glass cut-outs on our website for download.



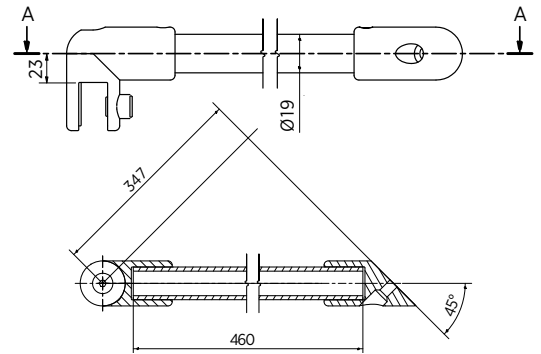
REINFORCEMENT BARS | SETS

Reinforcement Set 1



- | 45° wall connector
- | Brass, polished stainless steel tube
- | Sales unit: 1 piece

Model 6000	
Finish	Art. no.
Shiny chrome-plated	23.6000.045.65
Stealth Black	23.6000.045.66-SB

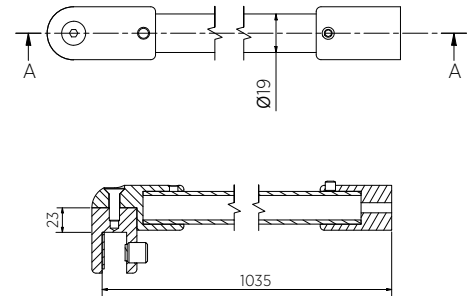


Reinforcement Set 2



- | 90° wall connector
- | Brass, polished stainless steel tube
- | Sales unit: 1 piece

Model 6000	
Finish	Art. no.
Shiny chrome-plated	23.6000.090.65
Stealth Black	23.6000.090.66-SB

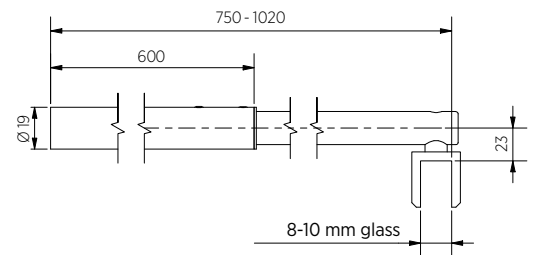


Reinforcement Set 3



- | Telescopic rod
- | Adjustable length: 720-1020 mm
- | 90° wall connector
- | Brass
- | Sales unit: 1 piece

Model 6001	
Finish	Art. no.
Shiny chrome-plated	23.6001.090.65
Stealth Black	23.6001.090.66-SB

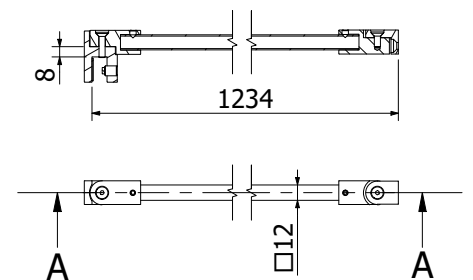


Reinforcement Set - square



- | Adjustable wall connector
- | Brass, polished stainless steel tube
- | Total length: 1240 mm
- | Dimensions: 12 x 12 mm
- | Sales unit: 1 piece

Model 6002	
Finish	Art. no.
Shiny chrome-plated	23.6002.000.65
Stealth Black	23.6002.000.66-SB



REINFORCEMENT BARS | **ROUND**



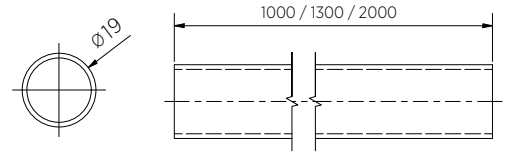
REINFORCEMENT BARS | INDIVIDUAL UNITS

Reinforcement Bar – Individual Unit



- | Reinforcement bar, vertical
- | Length: 1000 mm, 1300 mm, 2000 mm
- | Tube: Ø 19 mm
- | Stainless steel, polished
- | Sales unit: 1 piece

Model 6900	
Length	Art. no.
1000 mm	23.6900.010.65
1300 mm	23.6900.013.65
2000 mm	23.6900.020.65

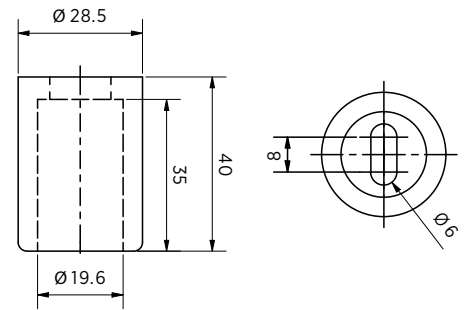


ROUND Wall Connector



- | Suitable for reinforcement bar, Ø 19 mm
- | Glass-wall 90°
- | Glass thickness: 8/10 mm
- | Brass
- | Sales unit: 1 piece

Model 6901	
Finish	Art. no.
Shiny chrome-plated	23.6901.019.65

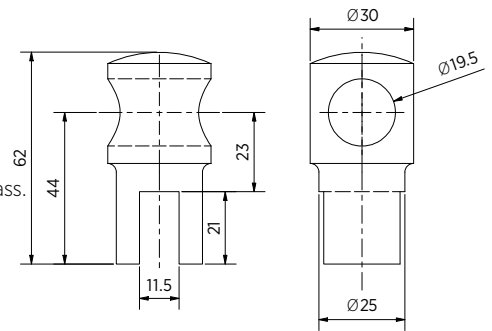


ROUND T-Connector Middle Connector



- | For reinforcement bar, vertical
- | For tube: Ø 19 mm
- | Glass thickness: 8/10 mm
- | Brass
- | The Round T-connectors are compatible with the Round glass connector due to the same distance between tube and glass.
- | Sales unit: 1 piece

Model 6902	
Finish	Art. no.
Shiny chrome-plated	23.6902.019.65

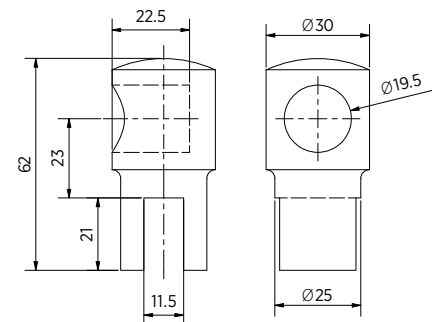


ROUND T-Connector End Piece



- | For reinforcement bar, vertical
- | For tube: Ø 19 mm
- | Glass thickness: 8/10 mm
- | Brass
- | The Round T-connectors are compatible with the Round glass connector due to the same distance between tube and glass.
- | Sales unit: 1 piece

Model 6903	
Finish	Art. no.
Shiny chrome-plated	23.6903.019.65



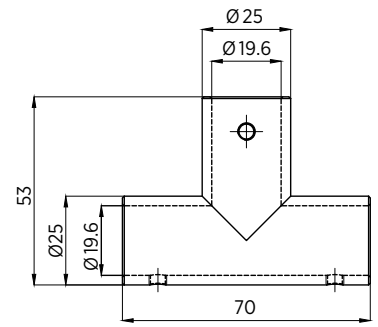
REINFORCEMENT BARS | INDIVIDUAL UNITS

ROUND T-Connector



- | For reinforcement bar, horizontal
- | For tube: \varnothing 19 mm
- | Glass thickness: 8/10 mm
- | Brass
- | Sales unit: 1 piece

Model 6904	
Finish	Art. no.
Shiny chrome-plated	23.6904.019.65

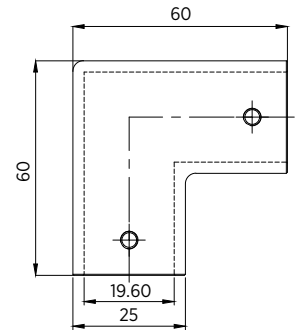


ROUND Connector, 90°



- | For reinforcement bar, vertical
- | For tube: \varnothing 19 mm
- | Brass
- | Sales unit: 1 piece

Model 6905	
Finish	Art. no.
Shiny chrome-plated	23.6905.019.65

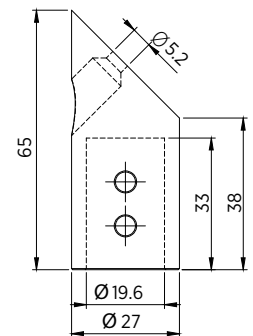


ROUND Wall Connector



- | For reinforcement bar
- | For tube: \varnothing 19 mm
- | Glass wall, 45°
- | Brass
- | Sales unit: 1 piece

Model 6906	
Finish	Art. no.
Shiny chrome-plated	23.6906.019.65

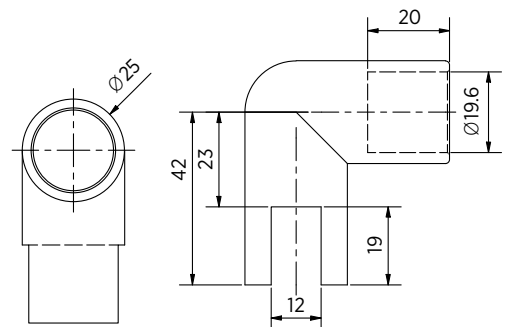


ROUND Glass Connector



- | For reinforcement bar
- | For tube: \varnothing 19 mm
- | Brass
- | The Round T-connectors are compatible with the Round glass connector due to the same distance between tube and glass.
- | Sales unit: 1 piece

Model 6907	
Finish	Art. no.
Shiny chrome-plated	23.6907.019.65



REINFORCEMENT BARS | INDIVIDUAL UNITS

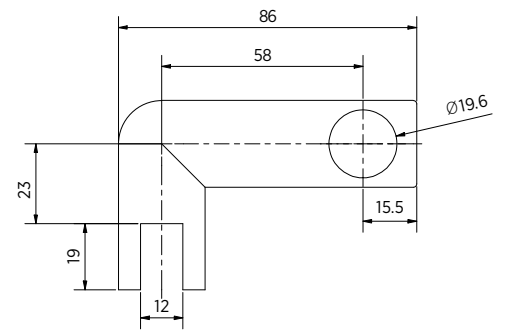
ROUND Glass Connector



- | For reinforcement bar
- | For tube: \varnothing 19 mm
- | Glass thickness 6/8/10 mm
- | Brass
- | The Round T-connectors are compatible with the Round glass connector due to the same distance between tube and glass.
- | Sales unit: 1 piece

Model 6908

Finish	Art. no.
Shiny chrome-plated	23.6908.019.65



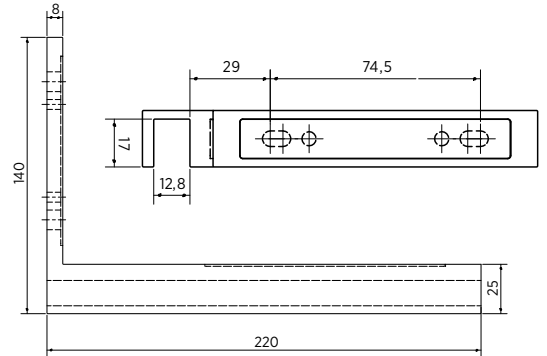
REINFORCEMENT BARS | ANGLED

Angled Reinforcement Bar (left), glass-wall



- | Stainless steel
- | Glass thickness: 8/10 mm
- | Wall-facing grub screws for angle compensation
- | Sales unit: 1 piece

Model 6007	
Finish	Art. no.
Shiny chrome-plated	23.6007.090.65
Stealth Black	23.6007.090.66-SB

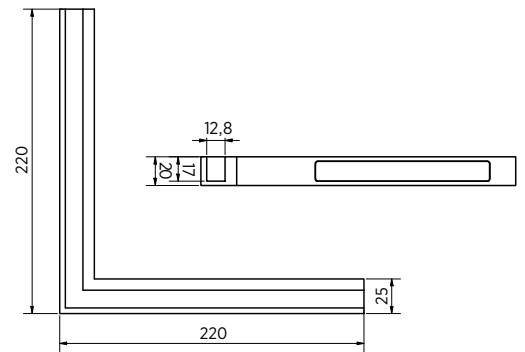


Angled Reinforcement Bar, glass-glass



- | Stainless steel
- | Glass thickness: 8/10 mm
- | Wall-facing grub screws for angle compensation
- | Sales unit: 1 piece

Model 6008	
Finish	Art. no.
Shiny chrome-plated	23.6008.090.65
Stealth Black	23.6008.090.66-SB

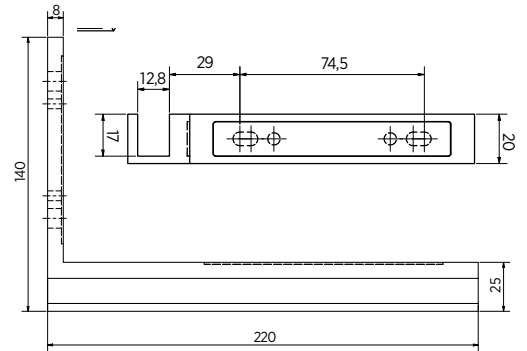


Angled Reinforcement Bar (right), glass-wall



- | Stainless steel
- | Glass thickness: 8/10 mm
- | Wall-facing grub screws for angle compensation
- | Sales unit: 1 piece

Model 6007	
Finish	Art. no.
Shiny chrome-plated	23.6007.590.65
Stealth Black	23.6007.590.66-SB



HANDLES

The Handles

SENSATIONAL KNOBS, SENSATIONAL SELECTION!

Whether flashy or discrete – here you will find our sensational knob selection for your shower cubicle! You have the choice between different materials, colours, applications, and shapes.

Essential Features

| Great selection of shapes and colours

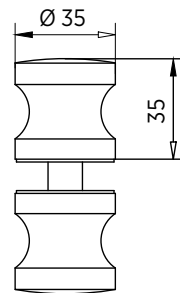


SHOWER DOOR HINGE | HANDLES

Shower Door Knob, double-sided



| Shower door knob, double-sided, Ø 35 x 35 mm
 | Brass
 | Drill hole: Ø 16 mm
 | Sales unit: 1 piece

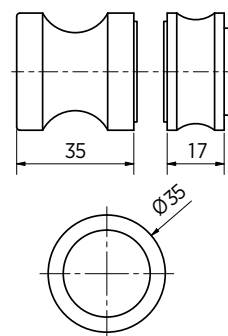


Model 5010	
Finish	Art. no.
Shiny chrome-plated	23.5010.035.65
Stealth Black	23.5010.035.66-SB

Shower Door Knob, double-sided, with buffer on one side



| Shower door knob, double-sided, Ø 35 mm, with buffer on one side
 | Brass
 | Drill hole: Ø 16 mm
 | Sales unit: 1 piece

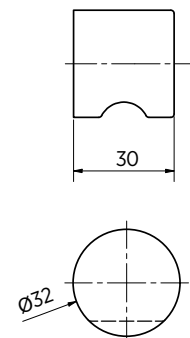


Model 5020	
Finish	Art. no.
Shiny chrome-plated	23.5020.035.65
Stealth Black	23.5020.035.66-SB

Shower Door Knob, double-sided



| Shower door knob, double-sided, Ø 32 x 30 mm
 | Brass
 | Drill hole: Ø 16 mm
 | Sales unit: 1 piece

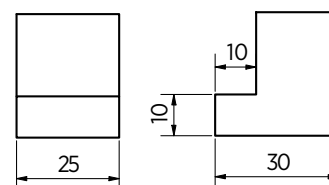


Model 5030	
Finish	Art. no.
Shiny chrome-plated	23.5030.032.65

Shower Door Knob, double-sided



| Shower door knob, double-sided, 25 x 30 mm
 | Brass
 | Drill hole: Ø 14 mm
 | Sales unit: 1 piece



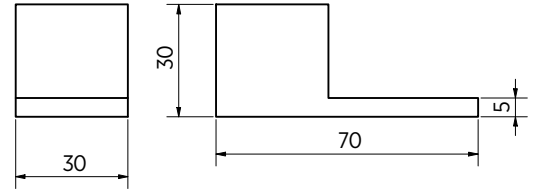
Model 5040	
Finish	Art. no.
Shiny chrome-plated	23.5040.025.65
Stealth Black	23.5040.025.66-SB

SHOWER DOOR HINGE | HANDLES

Shower Door Knob, double-sided



- | Shower door knob, double-sided, 30 x 70 x 35 mm
- | Brass
- | Drill hole: Ø 14 mm
- | Sales unit: 1 piece

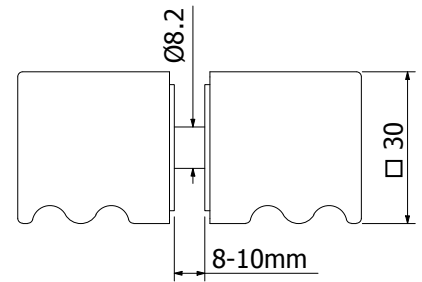


Model 5060	
Finish	Art. no.
Shiny chrome-plated	23.5060.030.65

Shower Door Knob, double-sided



- | Shower door knob, double-sided, 30 x 30 x 30 mm
- | Brass
- | Drill hole: Ø 14 mm
- | Sales unit: 1 piece

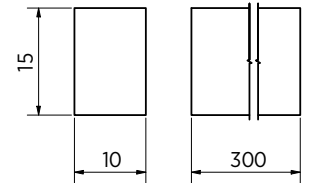


Model 5070	
Finish	Art. no.
Shiny chrome-plated	23.5070.030.65
Stealth Black	23.5070.030.66-SB

Handle Strip



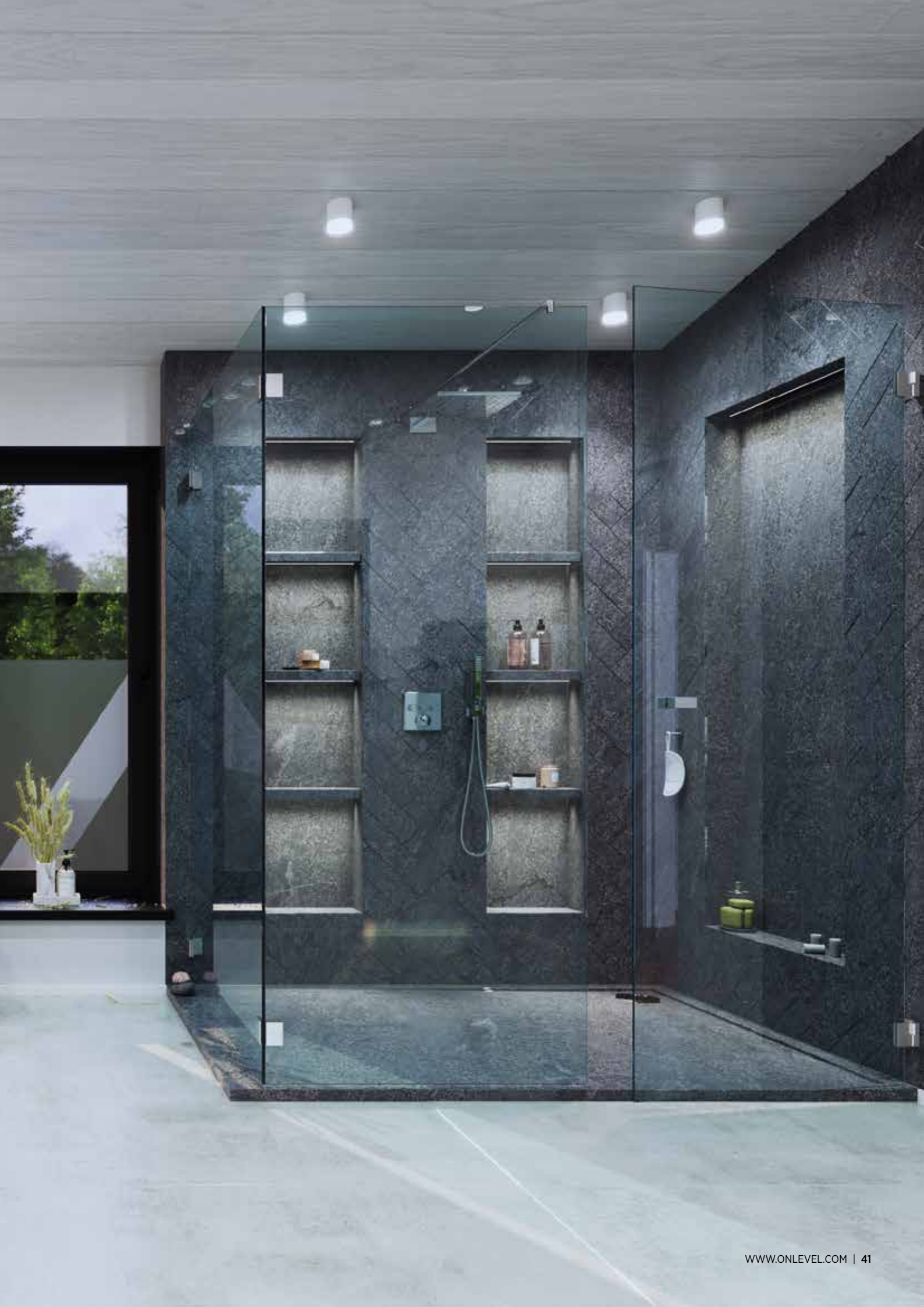
- | Dimensions: 15 x 300 mm
- | Height: 10 mm
- | 3M adhesive tape
- | Incl. bonding template
- | Sales unit: 1 piece



Model 1500	
Finish	Art. no.
Aluminium EV1	32.1500.003.11
similar to stainless steel, polished	32.1500.003.12
Stealth Black	32.1500.003.15

SHOWER DOOR HINGE | **HANDLES**





SEALING STRIPS

On the tight side.

DO YOU HAVE A FEELING FOR YOUR SEALING?

On your trip to the right sealing strip, you can always count on our research centre. Our Innovation Hotbed always has the right sealing strip for you – for any direction.

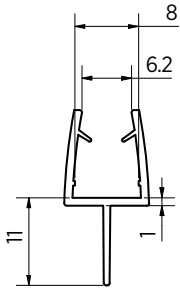
Essential Features

- | A great variety of sealing strips for different challenges
- | Ultra clear or matt black

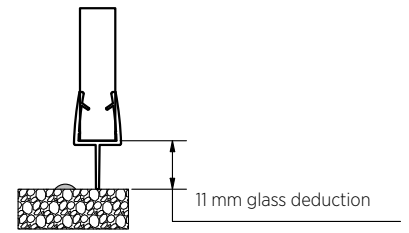


SHOWER DOOR HINGE | SEALING STRIPS

ON01 Sealing Lip



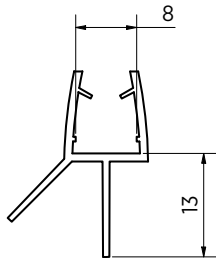
- | Shower door sealing strip with short sealing lip
- | Plastic
- | Length: 2200 mm
- | Sales unit: 5 pieces



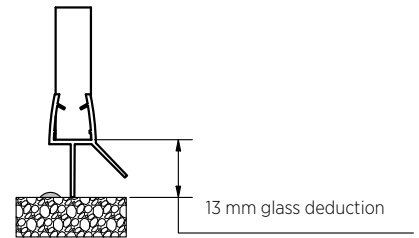
Model 7001	8 mm	10 mm
Material	Art. no.	Art. no.
PVC	23.7001.008.40	23.7001.010.40

The illustration shows a sealing strip for 8 mm glass.

ON02 Sealing Lip



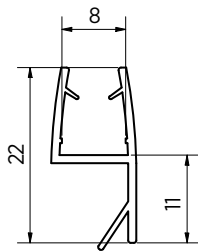
- | Shower door sealing strip with lower sealing lip and water deflector
- | Plastic
- | Length: 2200 mm
- | Sales unit: 5 pieces



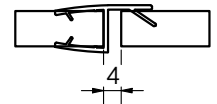
Model 7002	8 mm	10 mm
Material	Art. no.	Art. no.
PVC	23.7002.008.40	23.7002.010.40

The illustration shows a sealing strip for 8 mm glass.

ON03 Rebate Gasket



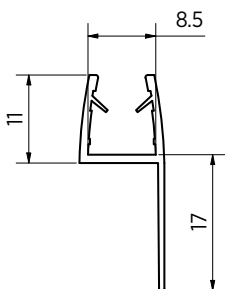
- | Shower door sealing strip, 180°, for doors opening in one direction
- | Plastic
- | Length: 2200 mm
- | Sales unit: 5 pieces



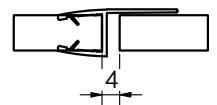
Model 7003	8 mm	10 mm
Material	Art. no.	Art. no.
PVC	23.7003.008.40	23.7003.010.40
Stealth Black	23.7003.008.41	-

The illustration shows a sealing strip for 8 mm glass.

ON04 Sealing Strip



- | Shower door sealing strip, "long", 180°, for doors opening in one direction
- | Plastic
- | Length: 2200 mm
- | Sales unit: 5 pieces

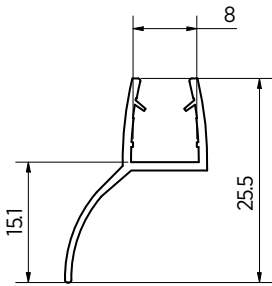


Model 7004	8 mm	10 mm
Material	Art. no.	Art. no.
PVC	23.7004.008.40	23.7004.010.40

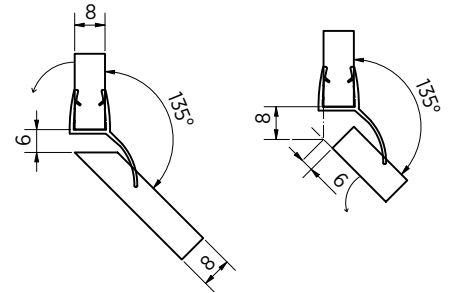
The illustration shows a sealing strip for 8 mm glass.

SHOWER DOOR HINGE | SEALING STRIPS

ON05 Water Deflector



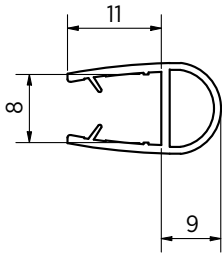
- | Shower door sealing strip with water deflector
- | Plastic
- | Length: 2200 mm
- | Sales unit: 5 pieces



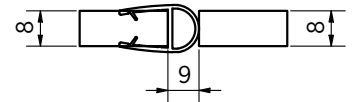
Model 7005	8 mm	10 mm
Material	Art. no.	Art. no.
PVC	23.7005.008.40	23.7005.010.40

The illustration shows a sealing strip for 8 mm glass.

ON06 Bellow Seal



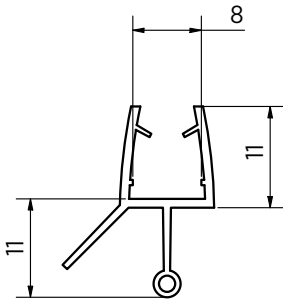
- | Shower door sealing strip with bellow
- | Plastic
- | Length: 2200 mm
- | Sales unit: 5 pieces



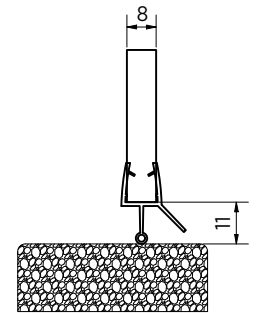
Model 7006	8 mm	10 mm
Material	Art. no.	Art. no.
PVC	23.7006.008.40	23.7006.010.40
Stealth Black	23.7006.008.41	-

The illustration shows a sealing strip for 8 mm glass.

ON07 Water Deflector



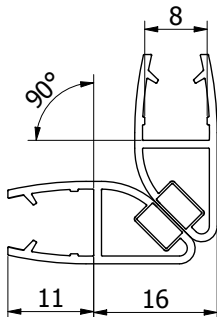
- | Shower door sealing strip with water deflector and lower bellow
- | Plastic
- | Length: 2200 mm
- | Sales unit: 5 pieces



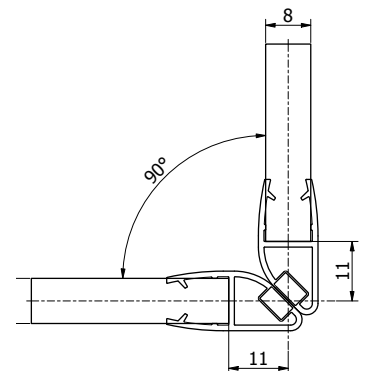
Model 7007	8 mm	10 mm
Material	Art. no.	Art. no.
PVC	23.7007.008.40	23.7007.010.40
Stealth Black	23.7007.008.41	-

The illustration shows a sealing strip for 8 mm glass.

ON08 Magnetic Seal



- | Shower door sealing strip, 90°, with magnetic profile
- | Plastic
- | Length: 2200 mm
- | Sales unit: 5 pieces

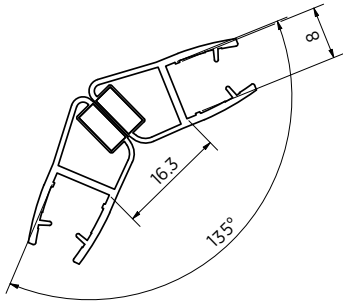


Model 7101	8 mm	10 mm
Material	Art. no.	Art. no.
PVC	23.7101.008.40	23.7101.010.40

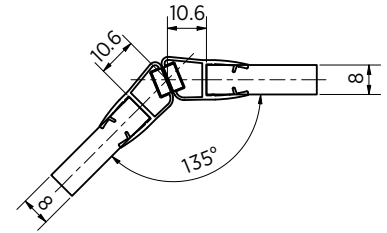
The illustration shows a sealing strip for 8 mm glass.

SHOWER DOOR HINGE | SEALING STRIPS

ON09 Magnetic Seal



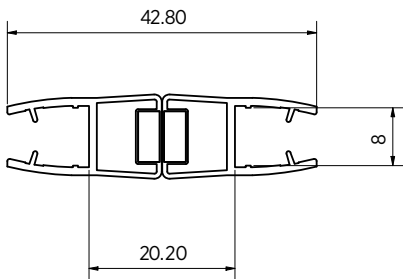
- | Shower door sealing strip, 135°, with magnetic profile
- | Plastic
- | Length: 2200 mm
- | Sales unit: 5 pieces



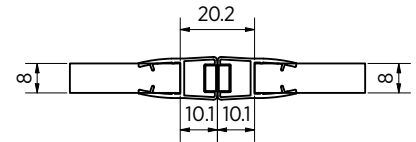
Model 7102	8 mm	10 mm
Material	Art. no.	Art. no.
PVC	23.7102.008.40	23.7102.010.40

The illustration shows a sealing strip for 8 mm glass.

ON10 Magnetic Seal



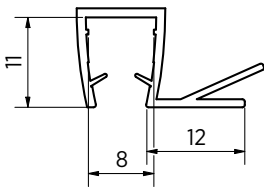
- | Shower door sealing strip, 180°, with magnetic profile
- | Plastic
- | Length: 2200 mm
- | Sales unit: 5 pieces



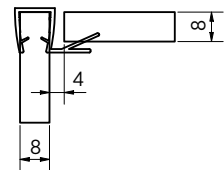
Model 7103	8 mm	10 mm
Material	Art. no.	Art. no.
PVC	23.7103.008.40	23.7103.010.40

The illustration shows a sealing strip for 8 mm glass.

ON11 Sealing Strip for full overlay applications



- | Shower door sealing strip, 90°, for full overlay applications
- | Plastic
- | Length: 2200 mm
- | Sales unit: 5 pieces

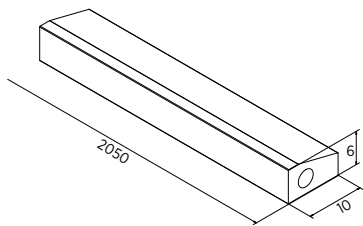


Model 7104	8 mm	10 mm
Material	Art. no.	Art. no.
PVC	23.7104.008.40	23.7104.010.40
Stealth Black	23.7104.008.41	-

The illustration shows a sealing strip for 8 mm glass.

SHOWER DOOR HINGE | SEALING STRIPS

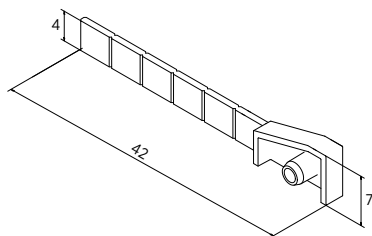
Threshold



- | Aluminium, shiny anodised
- | Length: 2050 mm
- | Sales unit: 5 pieces

Model 7501	
Material	Art. no.
Shiny chrome-plated	23.7501.002.17

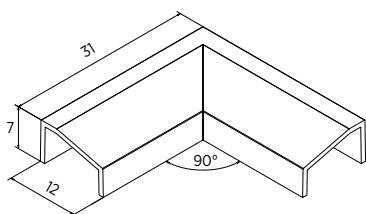
Threshold End Cap



- | For threshold
- | Plastic, chrome-plated
- | Length: 42 mm
- | Sales unit: 10 pieces

Model 7501	
Type / Material	Art. no.
Left / PVC, chrome-plated	23.7501.400.50
Right / PVC, chrome-plated	23.7501.450.50

Threshold, 90° Corner



- | For threshold
- | Plastic, chrome-plated
- | Sales unit: 10 pieces

Model 7501	
Material	Art. no.
End piece, PVC	23.7501.390.50

Tox Aqua Stop Pro sealing all-purpose fixing anchor, Ø6/38 mm, incl. screws



- | Length: 38 mm
- | Screw dimensions: 4.0 x 50 mm with countersunk head
- | Sales unit: 40 pieces

Model	
Material	Art. no.
Polyethylene (PE)	91.3580.638.00

HERE COMES THE STYLING KIT FOR YOUR BATHROOM.

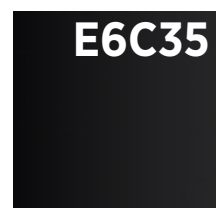
Whether it's shower cubicles, mirror profiles or room partitions – **ONLEVEL by You** is customisable:

Convey your individual style to your bathroom surfaces with the infinite possibilities **ONLEVEL** has to offer. Thanks to the new and optimised geometries, our Innovation Hotbed was able to adjust all glass thicknesses and tolerances accordingly. The profiles are available in all conceivable colours (RAL) and covered by a protective film. In addition, they offer flexible and varied connection possibilities.

OUR COLOUR SELECTION



.17 shiny anodised



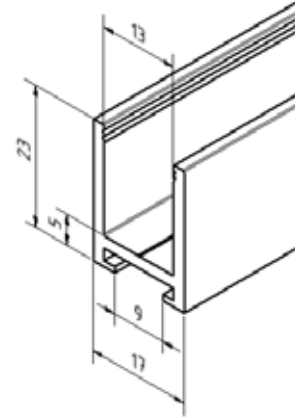
.15 black anodised

U PROFILES

U Profile, 23 x 17 x 23 mm



- | 23 x 17 x 23 mm
- | Thickness: 2 mm
- | Glass thickness max. 10.76 mm
- | Length: 5000 mm (surface finish **.17**: 3500 mm)
- | Material: aluminium
- | Sales unit: 1 piece
- | Our fastening recommendation:
Duopower, 6 mm x 50 mm, with countersunk screw
- | Suitable end cap: 20.9223.172.41
- | Suitable connector: 20.9318.172.41

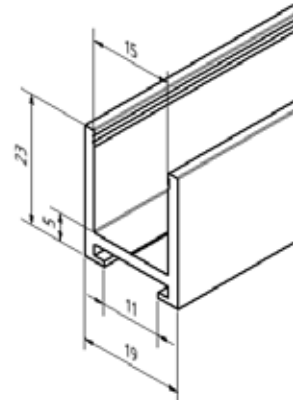


Model 1523		
Finish	Length	Art. no.
Black anodised	5000 mm	20.1523.172.15
Shiny anodised	3500 mm	20.1523.172.17

U Profile, 23 x 19 x 23 mm



- | 23 x 19 x 23 mm
- | Thickness: 2 mm
- | Glass thickness: max. 12.76 mm
- | Length: 5000 mm (surface finish **.17**: 3500 mm)
- | Material: aluminium
- | Sales unit: 1 piece
- | Our fastening recommendation:
Duopower, 8 mm x 65 mm, with countersunk screw
- | Suitable end cap: 20.9223.192.41
- | Suitable connector: 20.9323.192.41



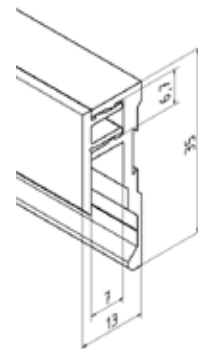
Model 1523		
Finish	Length	Art. no.
Black anodised	5000 mm	20.1523.192.15
Shiny anodised	3500 mm	20.1523.192.17

MIRROR PROFILES

Mirror Profile, top and bottom, 35 x 13 x 20 mm



- | 35 x 13 x 20 mm
- | For 6 mm glass
- | Length: 5000 mm (surface finish .17: 3500 mm)
- | Easy-to-mount clip-on mirror profile, the mirror is simply adjusted from the front and then fixed with the cover profile, with drill guide inside the profile, corrosion-resistant and therefore well suited for use in bathroom and kitchen
- | Sales unit: 1 pair



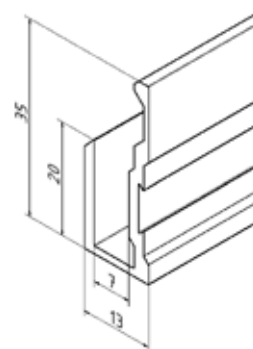
Model 2106

Finish	Length	Art. no.
Plain anodised	5000 mm	20.2106.005.11
Stainless steel look	5000 mm	20.2106.005.12
Shiny anodised	3500 mm	20.2106.003.17

Mirror Profile, bottom, 35 x 13 x 20 mm



- | 35 x 13 x 20 mm
- | For 6 mm glass, mirror dimension = installation height - 24 mm Length: 5000 mm (surface finish .17: 3500 mm)
- | Easy-to-mount mirror profile with bottom guide inside the profile, corrosion-resistant and therefore well suited for use in bathroom and kitchen
- | Sales unit: 1 piece



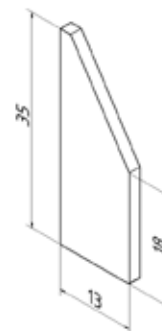
Model 2006

Finish	Length	Art. no.
Plain anodised	5000 mm	20.2006.005.11
Stainless steel look	5000 mm	20.2006.005.12
Shiny anodised	3500 mm	20.2006.003.17

Mirror Profile End Cap Set



- | Grey plastic (5 x left, 5 x right)
- | Sales unit: 10 pieces



Model 2106

Finish	Art. no.
Grey plastic	20.9005.006.47





ONLEVEL

ONLEVEL GmbH | Budberger Straße 5 | 46446 Emmerich am Rhein | Germany
+49 (0)2822 97514-0 | info@onlevel.com | www.onlevel.com