



ONLEVEL

GUARDIAN OF THE UNIVERSE
BALUSTRADE POST SYSTEM

GUARDIAN OF THE UNIVERSE

A strong and secured fall protection balcony system for your home

Guardian of the Universe

Our Railings are a range innovative railing systems designed to be fully modular. The pre-assembled aluminium posts have a stunning satin anodised finish and are available in square profiles ready to install. Fully engineered to meet the requirements of most applications, the systems can be installed with or without a top rail to provide an economical solution for a post and glass panel design. Each system can be fully fitted using basic equipment.

Essential Features

- | Aluminum-glass Balustrade system
- | Pre-assembled aluminium posts
- | Strong, stable, secured
- | Slick and elegant
- | Aluminium & satin anodised finish
- | High safety standards
- | Fully modular
- | Quick and simple, plug and play installation method
- | Suitable for 10.76mm
- | Post centre to centre distance 1.2m
- | Suitable for indoor & outdoor installations
- | Posts available in bolt-down & side-fix

To suit 10.76 mm glass



Completely pre-assembled
post system

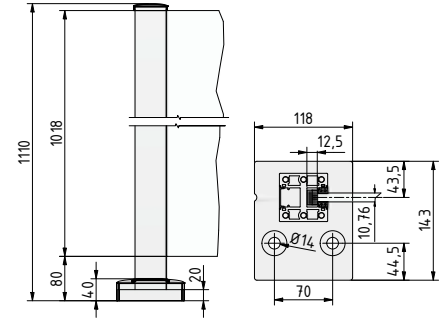
GUARDIAN OF THE UNIVERSE | TOP CLOSED

Guardian of the Universe endpost top closed



Pre-assembled set with endcap and covercap
 58 x 58 mm, length: 1100 mm
 Sales unit: 1 piece

Model 5011	Glass 10.76 mm
Colour	Art. no.
mill finish	13.5011.110.10
natural anodized	13.5011.110.11
RAL shiny	13.5011.110.13
RAL struct.	13.5011.110.16
RAL matt	13.5011.110.18
ARMOR RAL	13.5011.110.19

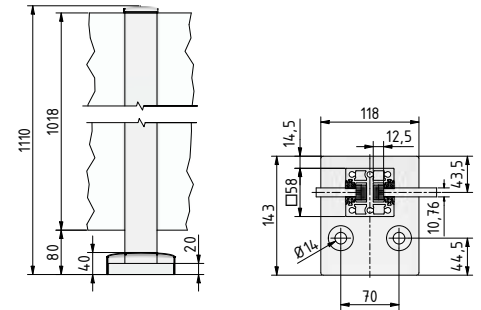


Guardian of the Universe mid post top closed



Pre-assembled set with endcap and covercap
 58 x 58 mm, length: 1100 mm
 Sales unit: 1 piece

Model 5021	Glass 10.76 mm
Colour	Art. no.
mill finish	13.5021.110.10
natural anodized	13.5021.110.11
RAL shiny	13.5021.110.13
RAL struct.	13.5021.110.16
RAL matt	13.5021.110.18
ARMOR RAL	13.5021.110.19

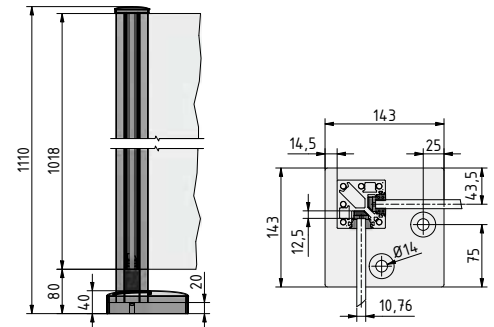


Guardian of the Universe cornerpost top closed



Pre-assembled set with endcap and covercap
 58 x 58 mm, length: 1100 mm
 Sales unit: 1 piece

Model 5031	Glass 10.76 mm
Colour	Art. no.
mill finish	13.5031.110.10
natural anodized	13.5031.110.11
RAL shiny	13.5031.110.13
RAL struct.	13.5031.110.16
RAL matt	13.5031.110.18
ARMOR RAL	13.5031.110.19



GUARDIAN OF THE UNIVERSE | TOP CLOSED



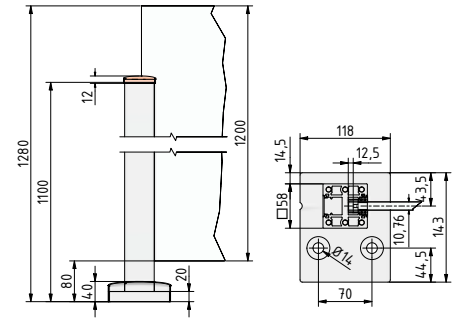
GUARDIAN OF THE UNIVERSE | TOP OPEN

Guardian of the Universe endpost top open



Pre-assembled set with endcap and covercap
 58 x 58 mm, length: 1100 mm
 Sales unit: 1 piece

Model 5012	Glass 10.76 mm
Colour	Art. no.
mill finish	13.5012.110.10
natural anodized	13.5012.110.11
RAL shiny	13.5012.110.13
RAL struct.	13.5012.110.16
RAL matt	13.5012.110.18
ARMOR RAL	13.5012.110.19

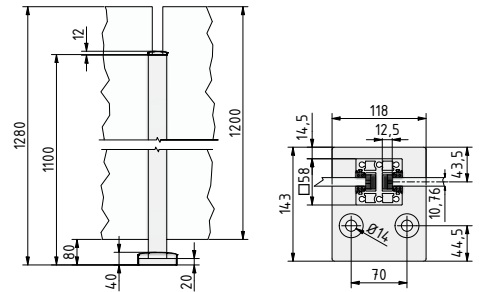


Guardian of the Universe mid post top open



Pre-assembled set with endcap and covercap
 58 x 58 mm, length: 1100 mm
 Sales unit: 1 piece

Model 5022	Glass 10.76 mm
Colour	Art. no.
mill finish	13.5022.110.10
natural anodized	13.5022.110.11
RAL shiny	13.5022.110.13
RAL struct.	13.5022.110.16
RAL matt	13.5022.110.18
ARMOR RAL	13.5022.110.19

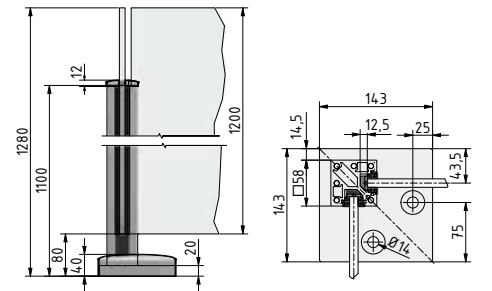


Guardian of the Universe cornerpost top open



Pre-assembled set with endcap and covercap
 58 x 58 mm, length: 1100 mm
 Sales unit: 1 piece

Model 5032	Glass 10.76 mm
Colour	Art. no.
mill finish	13.5032.110.10
natural anodized	13.5032.110.11
RAL shiny	13.5032.110.13
RAL struct.	13.5032.110.16
RAL matt	13.5032.110.18
ARMOR RAL	13.5032.110.19



GUARDIAN OF THE UNIVERSE | TOP OPEN



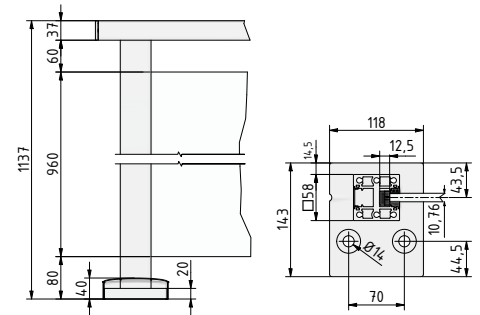
GUARDIAN OF THE UNIVERSE | TOP HANDRAIL

Guardian of the Universe endpost top for handrail



Pre-assembled set with covercap
58 x 58 mm, length: 1100 mm
Sales unit: 1 piece

Model 5013	Glass 10.76 mm
Colour	Art. no.
mill finish	13.5013.110.10
natural anodized	13.5013.110.11
RAL shiny	13.5013.110.13
RAL struct.	13.5013.110.16
RAL matt	13.5013.110.18
ARMOR RAL	13.5013.110.19

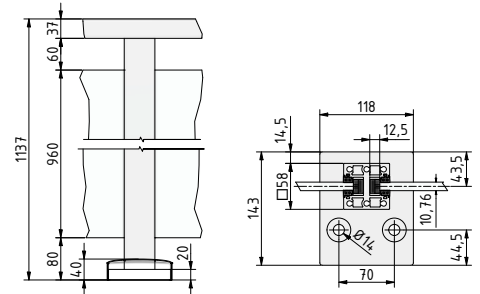


Guardian of the Universe mid post top for handrail



Pre-assembled set with covercap
58 x 58 mm, length: 1100 mm
Sales unit: 1 piece

Model 5023	Glass 10.76 mm
Colour	Art. no.
mill finish	13.5023.110.10
natural anodized	13.5023.110.11
RAL shiny	13.5023.110.13
RAL struct.	13.5023.110.16
RAL matt	13.5023.110.18
ARMOR RAL	13.5023.110.19

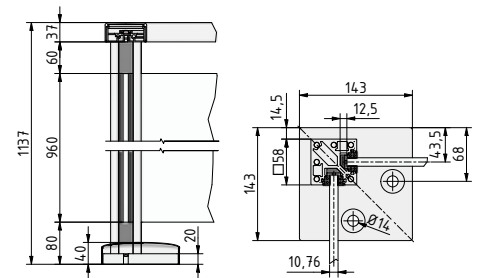


Guardian of the Universe cornerpost top for handrail



Pre-assembled set with covercap
58 x 58 mm, length: 1100 mm
Sales unit: 1 piece

Model 5033	Glass 10.76 mm
Colour	Art. no.
mill finish	13.5033.110.10
natural anodized	13.5033.110.11
RAL shiny	13.5033.110.13
RAL struct.	13.5033.110.16
RAL matt	13.5033.110.18
ARMOR RAL	13.5033.110.19



GUARDIAN OF THE UNIVERSE | TOP HANDRAIL



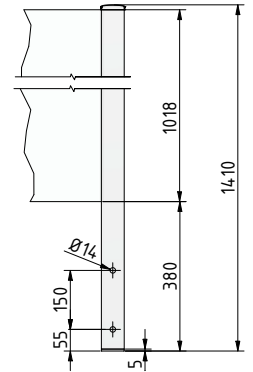
GUARDIAN OF THE UNIVERSE | SIDE CLOSED & OPEN

Guardian of the Universe endpost side closed



Pre-assembled set with endcap and endcap bottom
58 x 65 mm, length: 1400 mm
Sales unit: 1 piece

Model 5511	Glass 10.76 mm
Colour	Art. no.
mill finish	13.5511.140.10
natural anodized	13.5511.140.11
RAL shiny	13.5511.140.13
RAL struct.	13.5511.140.16
RAL matt	13.5511.140.18
ARMOR RAL	13.5511.140.19

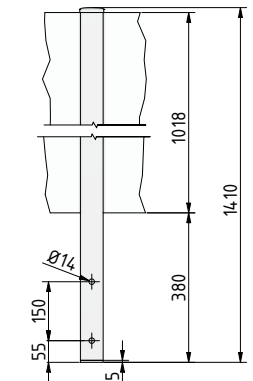


Guardian of the Universe mid post side closed



Pre-assembled set with endcap and endcap bottom
58 x 65 mm, length: 1400 mm
Sales unit: 1 piece

Model 5521	Glass 10.76 mm
Colour	Art. no.
mill finish	13.5521.140.10
natural anodized	13.5521.140.11
RAL shiny	13.5521.140.13
RAL struct.	13.5521.140.16
RAL matt	13.5521.140.18
ARMOR RAL	13.5521.140.19

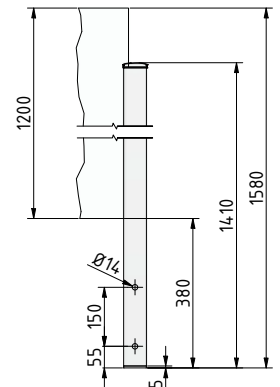


Guardian of the Universe endpost side open



Pre-assembled set with endcap and endcap bottom
58 x 65 mm, length: 1400 mm
Sales unit: 1 piece

Model 5512	Glass 10.76 mm
Colour	Art. no.
mill finish	13.5512.140.10
natural anodized	13.5512.140.11
RAL shiny	13.5512.140.13
RAL struct.	13.5512.140.16
RAL matt	13.5512.140.18
ARMOR RAL	13.5512.140.19

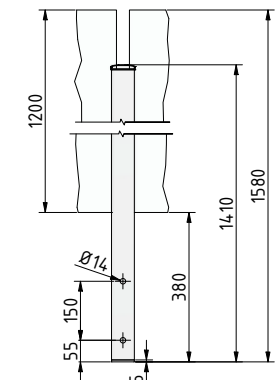


Guardian of the Universe mid post side open



Pre-assembled set with endcap and endcap bottom
58 x 65 mm, length: 1400 mm
Sales unit: 1 piece

Model 5522	Glass 10.76 mm
Colour	Art. no.
mill finish	13.5522.140.10
natural anodized	13.5522.140.11
RAL shiny	13.5522.140.13
RAL struct.	13.5522.140.16
RAL matt	13.5522.140.18
ARMOR RAL	13.5522.140.19



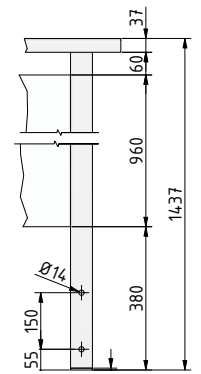
GUARDIAN OF THE UNIVERSE | SIDE HANDRAIL

Guardian of the Universe endpost side for handrail



Pre-assembled set with endcap bottom
58 x 65 mm, length: 1400 mm
Sales unit: 1 piece

Model 5513	Glass 10.76 mm
Colour	Art. no.
mill finish	13.5513.140.10
natural anodized	13.5513.140.11
RAL shiny	13.5513.140.13
RAL struct.	13.5513.140.16
RAL matt	13.5513.140.18
ARMOR RAL	13.5513.140.19

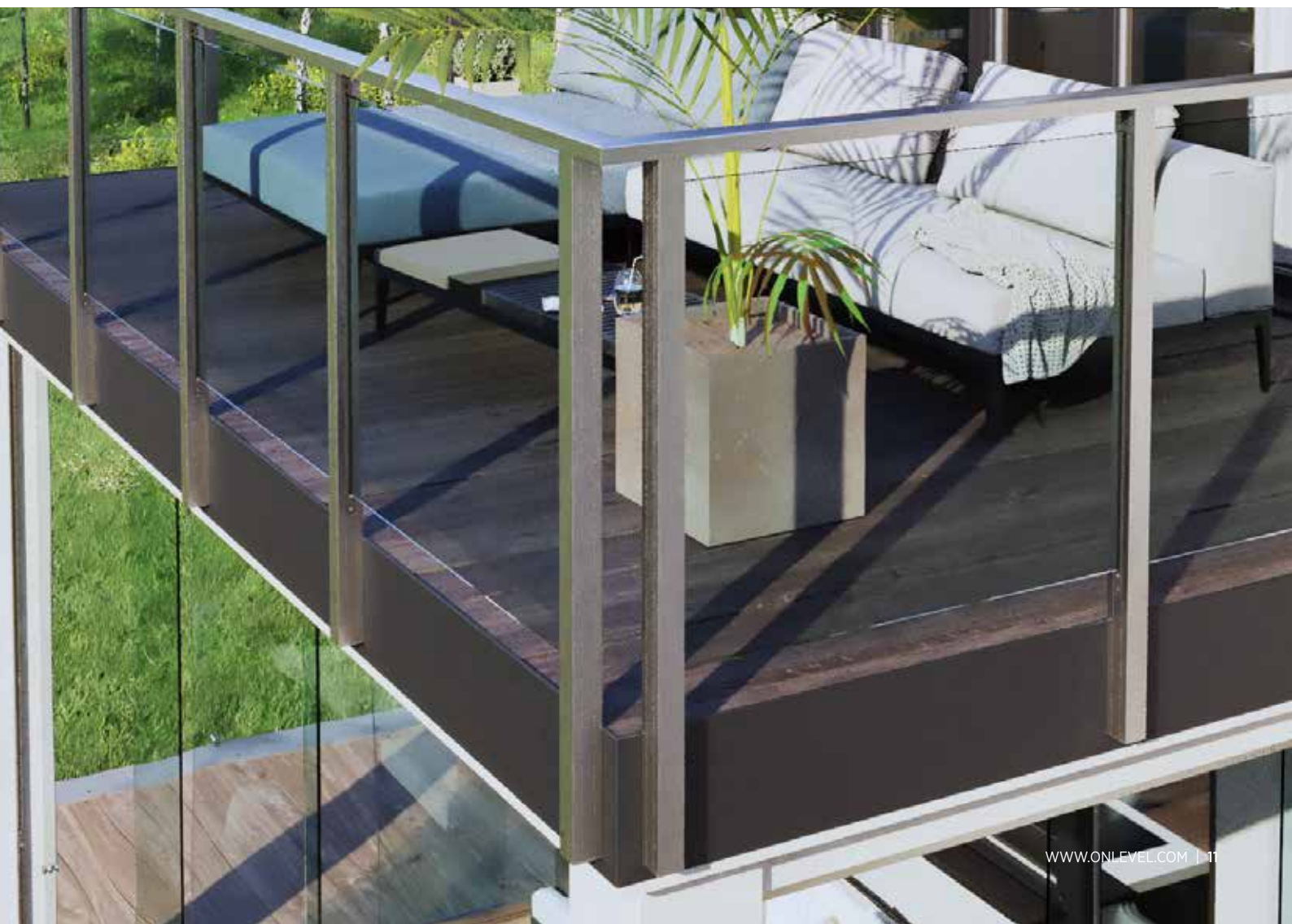
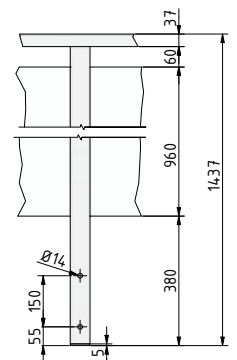


Guardian of the Universe mid post side for handrail



Pre-assembled set with endcap bottom
58 x 65 mm, length: 1400 mm
Sales unit: 1 piece

Model 5523	Glass 10.76 mm
Colour	Art. no.
mill finish	13.5523.140.10
natural anodized	13.5523.140.11
RAL shiny	13.5523.140.13
RAL struct.	13.5523.140.16
RAL matt	13.5523.140.18
ARMOR RAL	13.5523.140.19



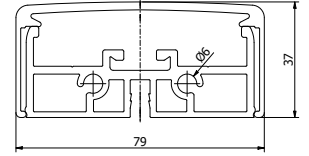
GUARDIAN OF THE UNIVERSE | TOP & SIDE HANDRAIL

Guardian of the Universe handrail

| 70 x 30 mm
| Sales unit: 1 piece



Model 2102	2500 mm	5000 mm
Colour	Art. no.	Art. no.
mill finish	13.2102.070.10	13.2105.070.10
natural anodized	13.2102.070.11	13.2105.070.11
RAL shiny	13.2102.070.13	13.2105.070.13
RAL struct.	13.2102.070.16	13.2105.070.16
RAL matt	13.2102.070.18	13.2105.070.18
ARMOR RAL	13.2102.070.19	13.2105.070.19

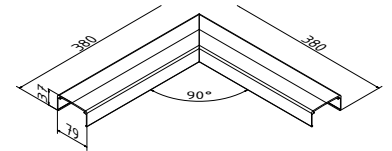


Guardian of the Universe handrail corner 90°

| 70 x 30 mm
| Length: 380 mm
| Sales unit: 1 piece



Model 2210	
Colour	Art. no.
mill finish	13.2210.070.10
natural anodized	13.2210.070.11
RAL shiny	13.2210.070.13
RAL struct.	13.2210.070.16
RAL matt	13.2210.070.18
ARMOR RAL	13.2210.070.19

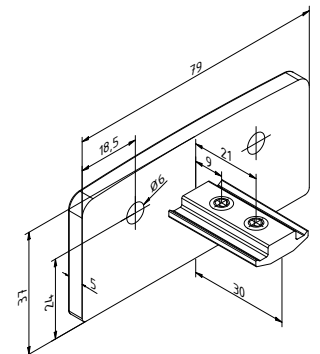


Guardian of the Universe handrail wall connector

| 70 x 30 mm
| Sales unit: 2 piece



Model 2220	
Colour	Art. no.
mill finish	13.2220.070.10
natural anodized	13.2220.070.11
RAL shiny	13.2220.070.13
RAL struct.	13.2220.070.16
RAL matt	13.2220.070.18
ARMOR RAL	13.2220.070.19

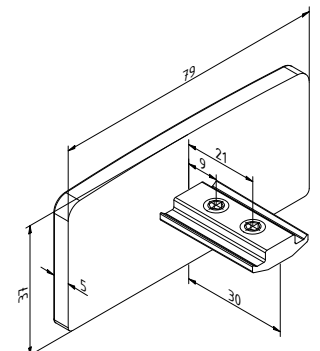


Guardian of the Universe handrail endcap

| 70 x 30 mm
| Sales unit: 2 piece



Model 2300	
Colour	Art. no.
mill finish	13.2300.070.10
natural anodized	13.2300.070.11
RAL shiny	13.2300.070.13
RAL struct.	13.2300.070.16
RAL matt	13.2300.070.18
ARMOR RAL	13.2300.070.19



GUARDIAN OF THE UNIVERSE | TOP & SIDE HANDRAIL

Guardian of the Universe inline connector

- | For use with rectangular & oval handrails
- | Internal fix. Supplied with four screws.
- | Sales unit: 1 piece



Model 9001	Plain aluminium
Art. no.	
18.4200.420.15	

Guardian of the Universe 90° connector

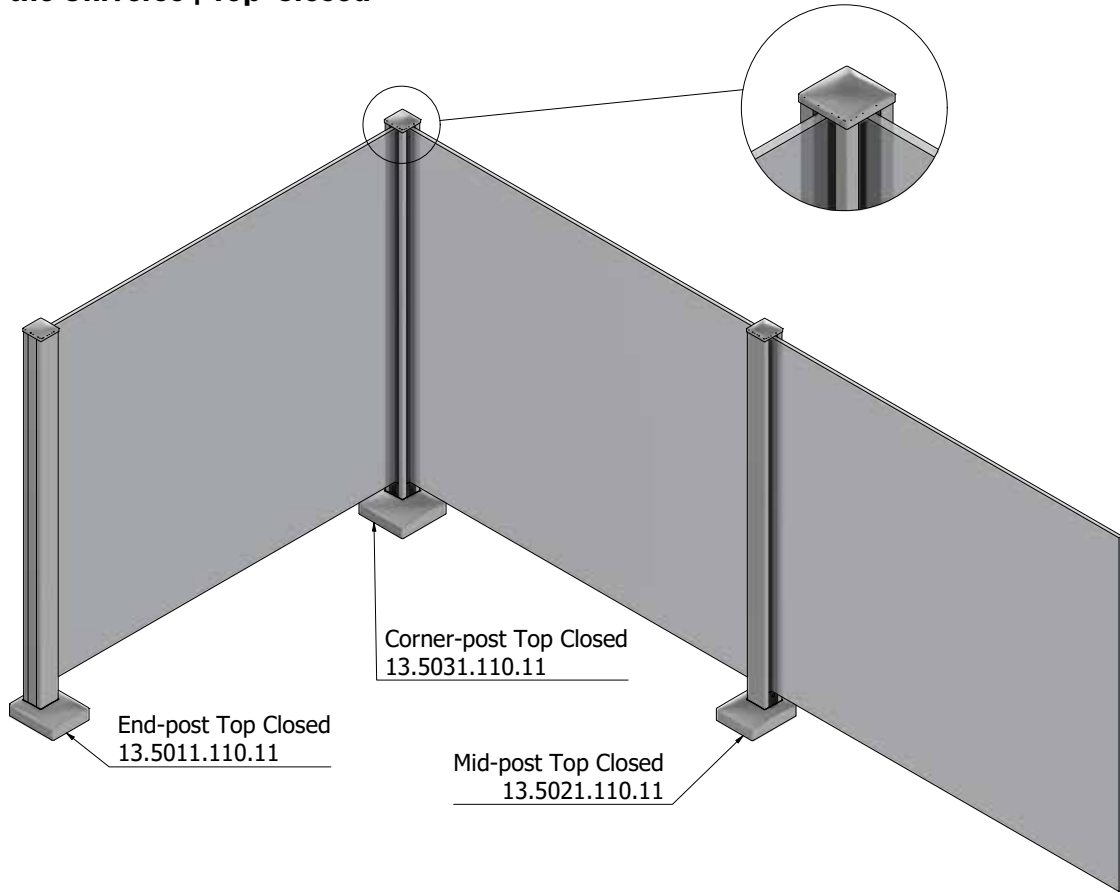
- | For use with rectangular & oval handrails
- | Internal fix. Supplied with four screws.
- | Sales unit: 1 piece



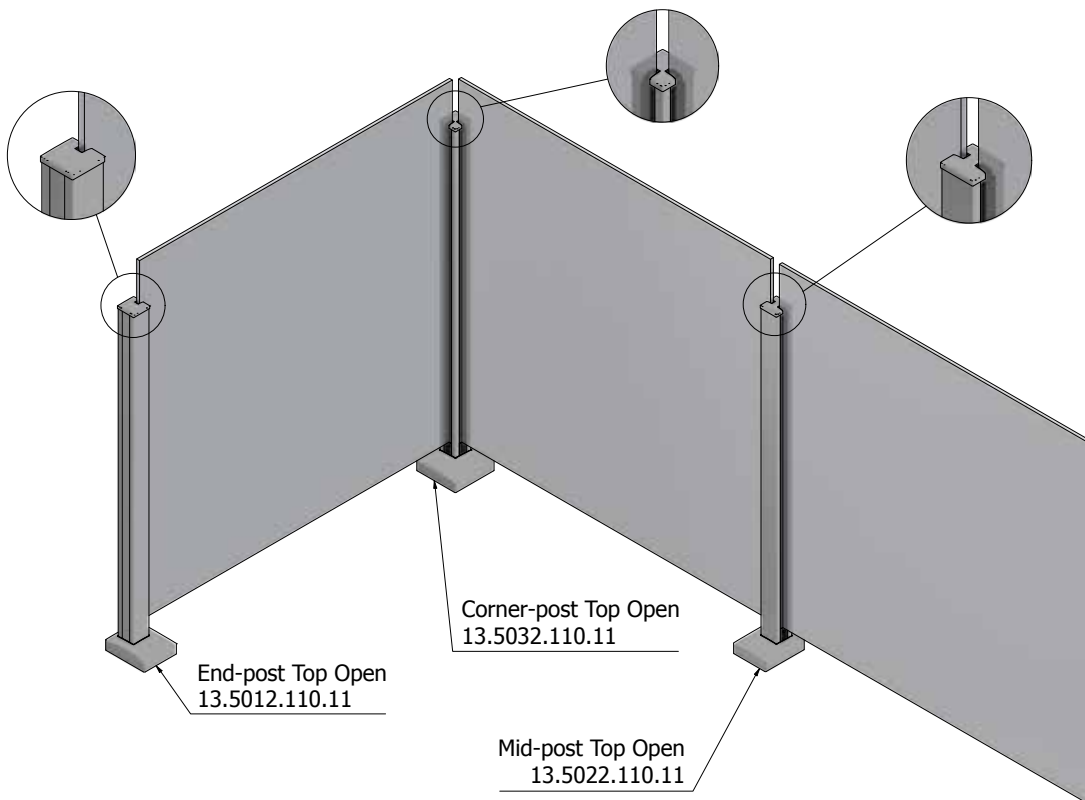
Model 9002	Plain aluminium
Art. no.	
18.4210.420.15	

GUARDIAN OF THE UNIVERSE | MOUNTING EXAMPLE

Guardian of the Universe | Top-Closed

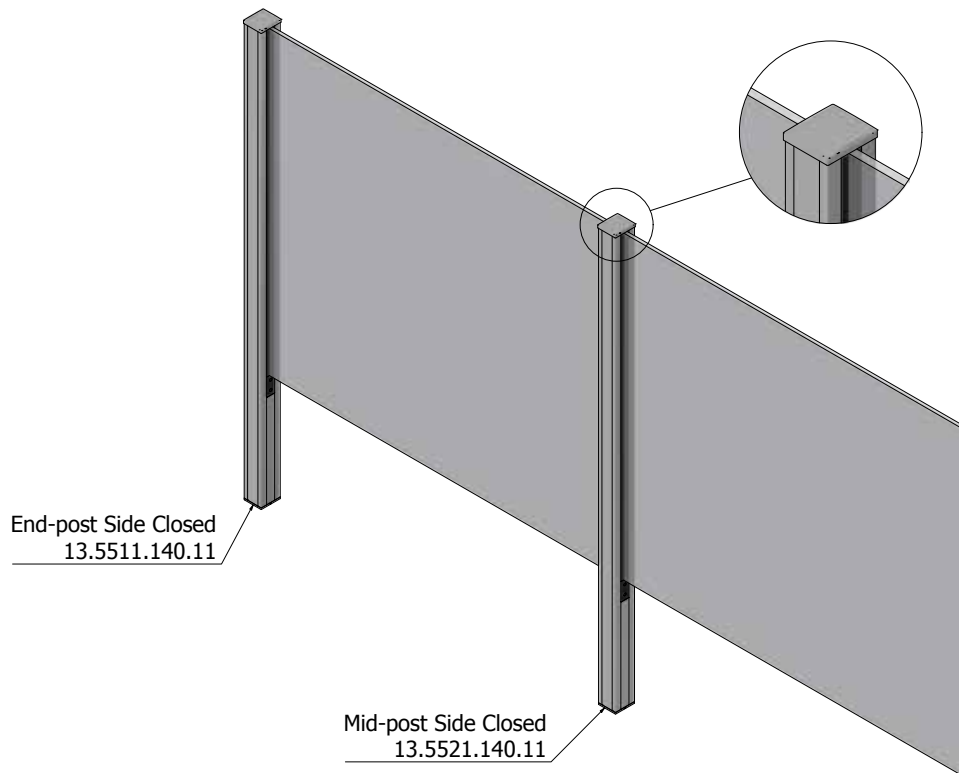


Guardian of the Universe | Top-Open

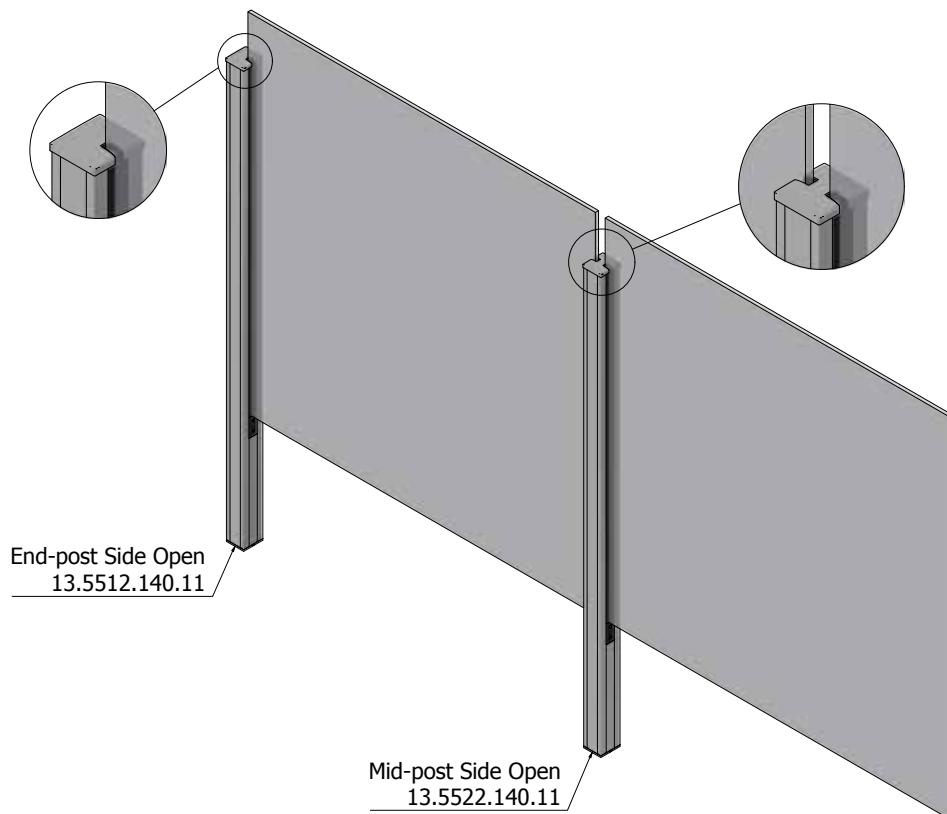


GUARDIAN OF THE UNIVERSE | MOUNTING EXAMPLE

Guardian of the Universe | Side-Closed

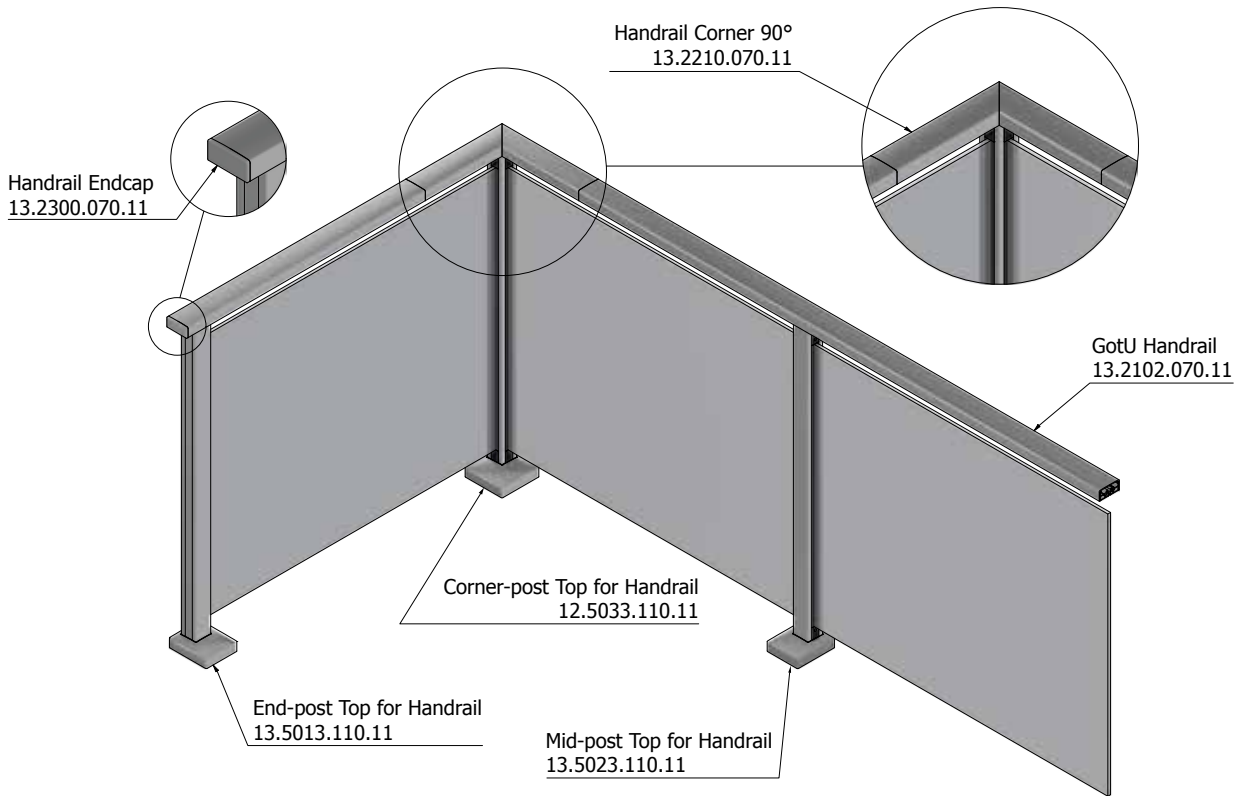


Guardian of the Universe | Side-Open

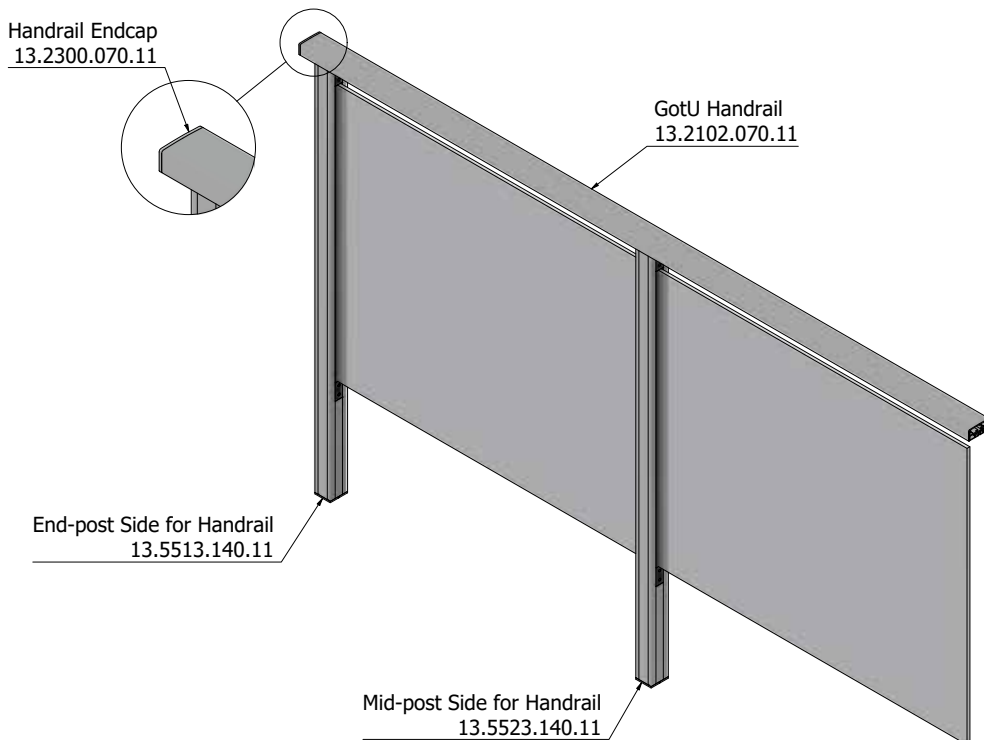


GUARDIAN OF THE UNIVERSE | MOUNTING EXAMPLE

Guardian of the Universe | Top Handrail



Guardian of the Universe | Side Handrail



GUARDIAN OF THE UNIVERSE | EDGE PROTECTION

Edge protection, self-adhesive, V4A brushed



| Height: 6 mm
| Thickness: 1 mm
| Sales unit: 1 piece

Model 2111		1000 mm	1500 mm	2000 mm	3000 mm	4000 mm
Width	For glass thicknesses	Art. no.	Art. no.	Art. no.	Art. no.	Art. no.
14	10.76 - 11.52 mm	12.2111.141.31	12.2110.141.31	12.2112.141.31	12.2113.141.31	12.2114.141.31

Edge protection, self-adhesive, aluminium mill finish



| Height: 7 mm
| Thickness: 1 mm
| Sales unit: 1 piece

Model 2111		1000 mm	1500 mm	2000 mm	3000 mm	4000 mm
Width	For glass thicknesses	Art. no.	Art. no.	Art. no.	Art. no.	Art. no.
14	10.76 - 11.52 mm	11.2111.141.10	11.2110.141.10	11.2112.141.10	11.2113.141.10	11.2114.141.10

Edge protection, self-adhesive, aluminium plain anodised



| Height: 7 mm
| Thickness: 1 mm
| Sales unit: 1 piece

Model 2111		1000 mm	1500 mm	2000 mm	3000 mm	4000 mm
Width	For glass thicknesses	Art. no.	Art. no.	Art. no.	Art. no.	Art. no.
14	10.76 - 11.52 mm	11.2111.141.11	11.2110.141.11	11.2112.141.11	11.2113.141.11	11.2114.141.11

Edge protection, self-adhesive, aluminium RAL



| Height: 7 mm
| Thickness: 1 mm
| Sales unit: 1 piece, minimum order quantity 5 units

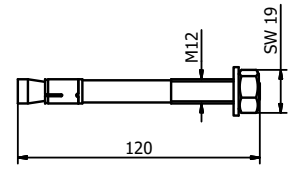
Model 2111		1000 mm	1500 mm	2000 mm	3000 mm	4000 mm
Width	For glass thicknesses	Art. no.	Art. no.	Art. no.	Art. no.	Art. no.
14	10.76 - 11.52 mm	11.2111.141.xx	11.2110.141.xx	11.2112.141.xx	11.2113.141.xx	11.2114.141.xx

GUARDIAN OF THE UNIVERSE | ACCESSORIES

Fischer fixing anchor FAZ II 12/20



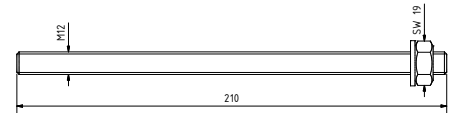
- | for Guardians of the Universe Top
- | Finish interior application: zinc-plated steel (inside)
- | Finish exterior application: V4A (exterior)
- | M12
- | Sales unit: 20 pieces



Model 3501	zinc-plated steel (inside)	AISI 316 (exterior)
Art. no.		Art. no.
	91.3501.220.81	91.3501.220.30

Fixation anchor Fischer FIS A M12x210 R

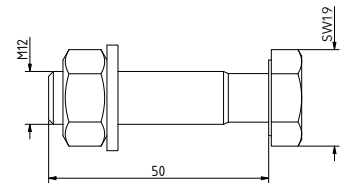
- | Sales unit: 10 piece



Model 5000	zinc-plated steel (inside)	AISI 316 (exterior)
Art. no.		Art. no.
	91.3551.221.81	91.3551.221.30

Guardian of the Universe mounting bolts top mount on steel M12 x 50 mm

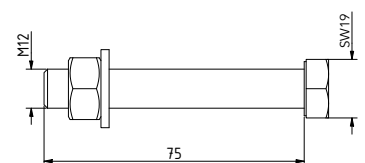
- | Sales unit: 12 piece



Model 5000	AISI 316	Steel zinc plated
Art. no.		Art. no.
	91.5000.050.30	91.5000.050.81

Guardian of the Universe mounting bolts side mount on steel M12 x 75 mm

- | Sales unit: 12 piece

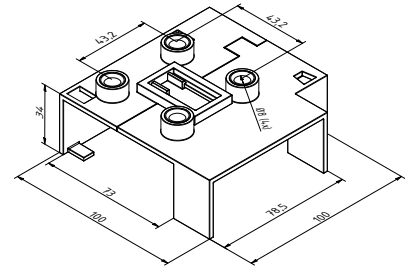


Model 5000	AISI 316	Steel zinc plated
Art. no.		Art. no.
	91.5000.075.30	91.5000.075.81

GUARDIAN OF THE UNIVERSE | ACCESSORIES

Guardian of the Universe drill positioning tool for handrail

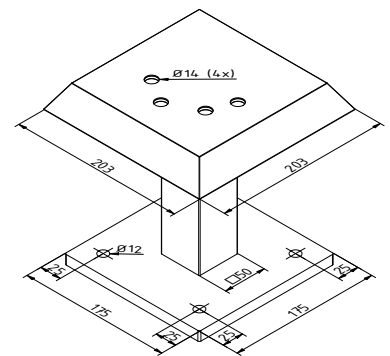
| 70 x 30 mm
| Sales unit: 1 piece



Model 9005	Plastic
Art. no.	
13.9005.070.41	

Guardian of the Universe roof post for post

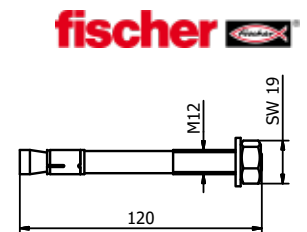
| 58 x 58 mm
| High: 200 mm
| Incl. rain cover
| Sales unit: 2 piece




Model 9010	Steel zinc plated
Art. no.	
13.9010.200.81	

Fixation anchor Fischer FAZ II 12/20

| Sales unit: 20 piece



Model 5000	AISI 316
Art. no.	
91.3501.220.30	



ONLEVEL

ONLEVEL Ltd. | Units 6 & 7, Alexandria Court | Alexandria Drive
Ashton Commerce Park | Ashton-under-Lyne | Lancashire OL7 0QN | United Kingdom
T +44 0161 804 9500 | F +44 0161 804 9505 | info@onlevel-uk.com | www.onlevel.com