

ONLEVEL

**ONLY  
YOU**

ANY COLOUR, ANY SIZE  
WITHIN 15 DAYS

AIRFORCE

**AIRFORCE**

CANTILEVER GLASS CANOPY

# AIRFORCE

The only glass canopy you need to know.

## AIRFORCE on Roofing Surveillance Mission

Our reconnaissance task: As we know that we can't count on dream weather every day, our Innovation Hotbed came up with a height-adjustable canopy with an integrated, self-triggering cover. As a matter of fact, the **ONLEVEL** Product Pioneers also had a user-friendly installation in mind for you to whip up your project quickly and stressfree.

## Winner, say hello to the sun!

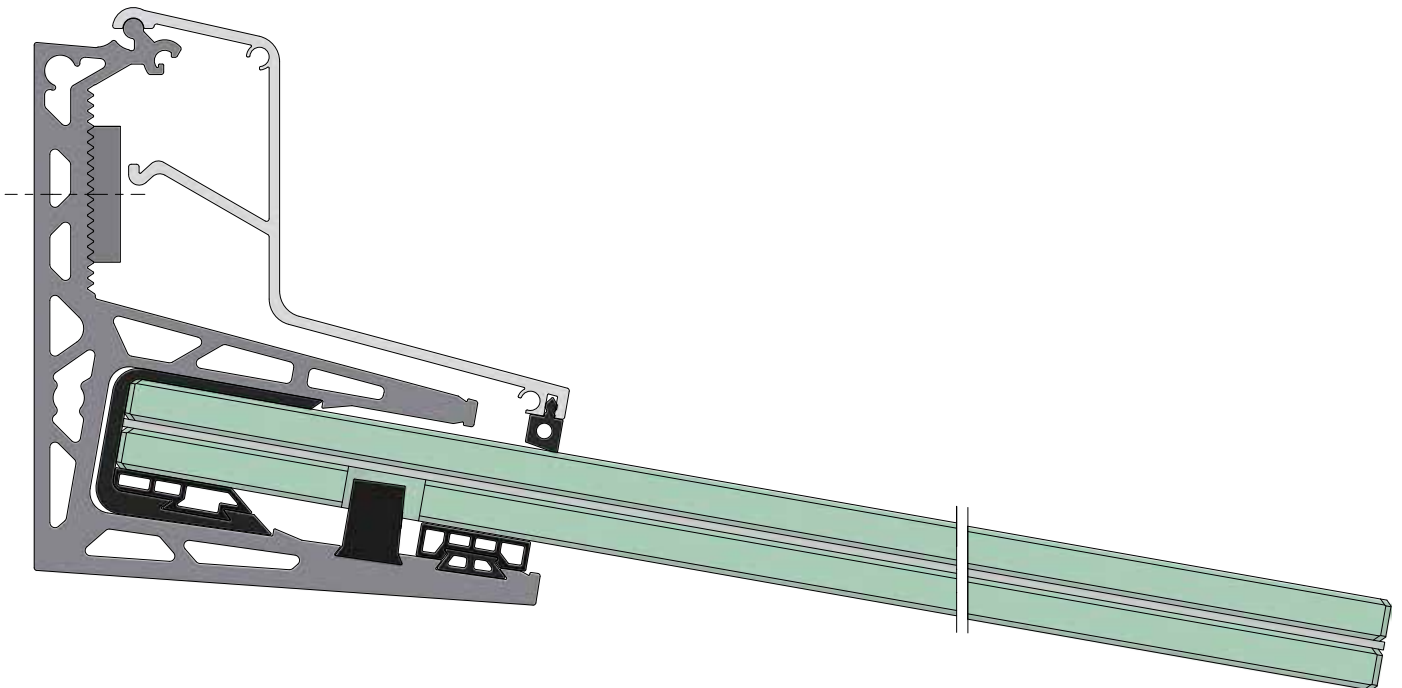
**ONLEVEL** Airforce goes off like a rocket – when it comes to product innovations, it's already now our winner of the year.

**AIRFORCE** never leaves you out in the cold and makes you fly high. For your fast propulsion, the **ONLEVEL** Product Pilots, as always, made sure installation is as easy as can be: Airforce is height adjustable and other lengths or colours on request.

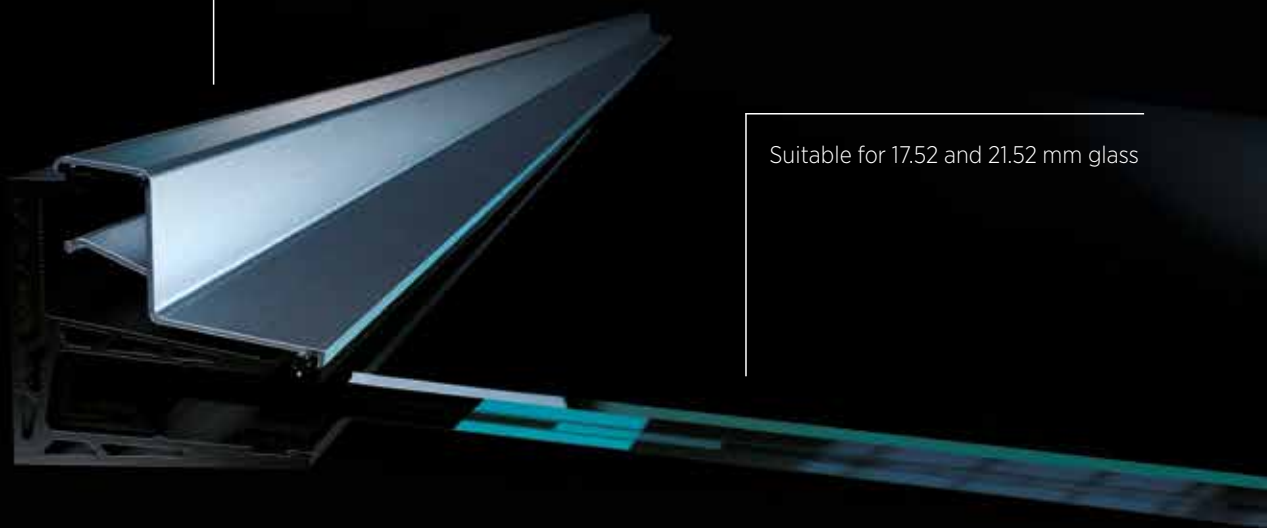
---

## Essential Features

- | Securing the glass from the side
- | Height adjustable with integrated, self-triggering cover
- | Simple mounting
- | Concealed fastening
- | One-sided fastening, no drawbars required
- | Several profiles can be connected to each other
- | Slight glass processing for securing glass panes
- | Only the lower pane requires glass processing, therefore no drilling offset for laminated safety glass
- | Glass projection max. 1100 mm
- | Laminated safety glass made of thermally toughened glass with SGP film
- | Suitable for 17.52 and 21.52 mm glass
- | **AbZ** in progress



Height adjustable with integrated,  
self-triggering cover



Suitable for 17.52 and 21.52 mm glass

# AIRFORCE | SYSTEM

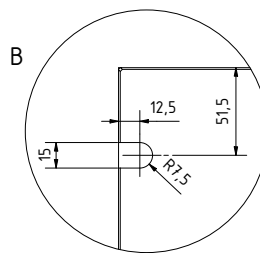
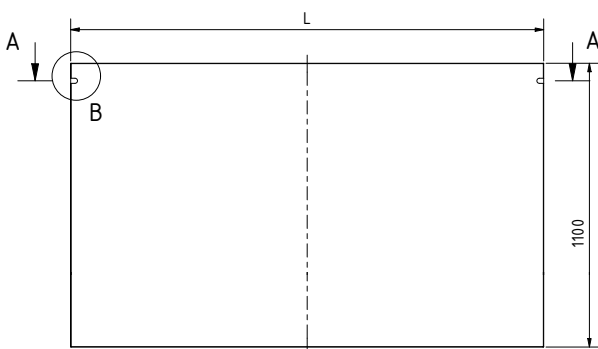
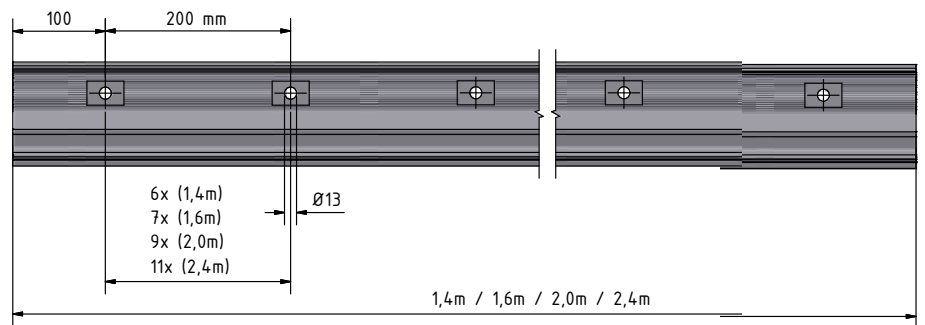
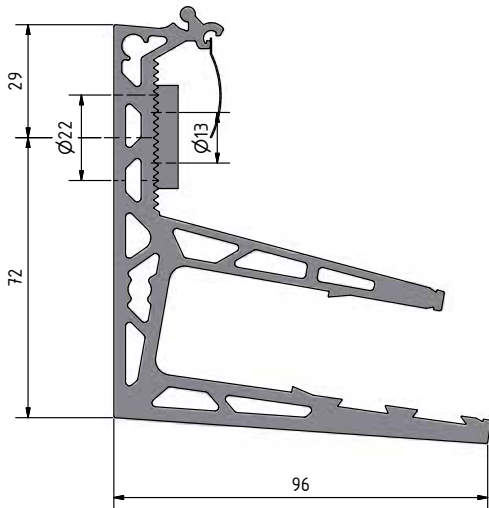
## AIRFORCE



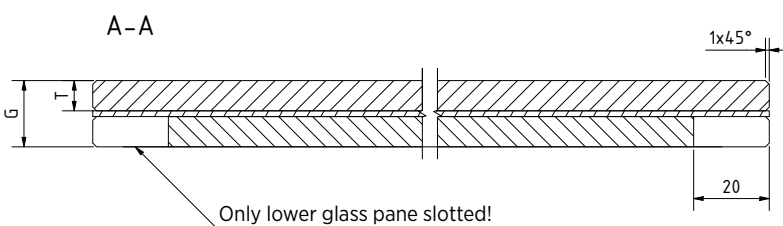
| For 17.52 mm (8/8/4) and 21.52 mm (10/10/4) laminated safety glass made of thermally toughened glass with SGP film  
| Sales unit: 1 piece

Length	1400 mm	1600 mm	2000 mm	2400 mm
Surface	Art. no.	Art. no.	Art. no.	Art. no.
Aluminium, mill finish	17.1014.020.10	17.1016.020.10	17.1020.020.10	17.1024.020.10
Aluminium, plain anodised	17.1014.020.11	17.1016.020.11	17.1020.020.11	17.1024.020.11
Aluminium RAL glossy	17.1014.020.13	17.1016.020.13	17.1020.020.13	17.1024.020.13
Aluminium RAL structured	17.1014.020.16	17.1016.020.16	17.1020.020.16	17.1024.020.16
Aluminium RAL matt	17.1014.020.18	17.1016.020.18	17.1020.020.18	17.1024.020.18
Aluminium ARMOR RAL	17.1014.020.19	17.1016.020.19	17.1020.020.19	17.1024.020.19

## Glass cut-out



Length	1400 mm	1600 mm	2000 mm	2400 mm
Glass length (L)	1390 mm	1590 mm	1990 mm	2390 mm



Glass thickness (G)	Drilling depth (T)
8/8/4 (17.52 mm)	8 mm
10/10/4 (21.52 mm)	10 mm

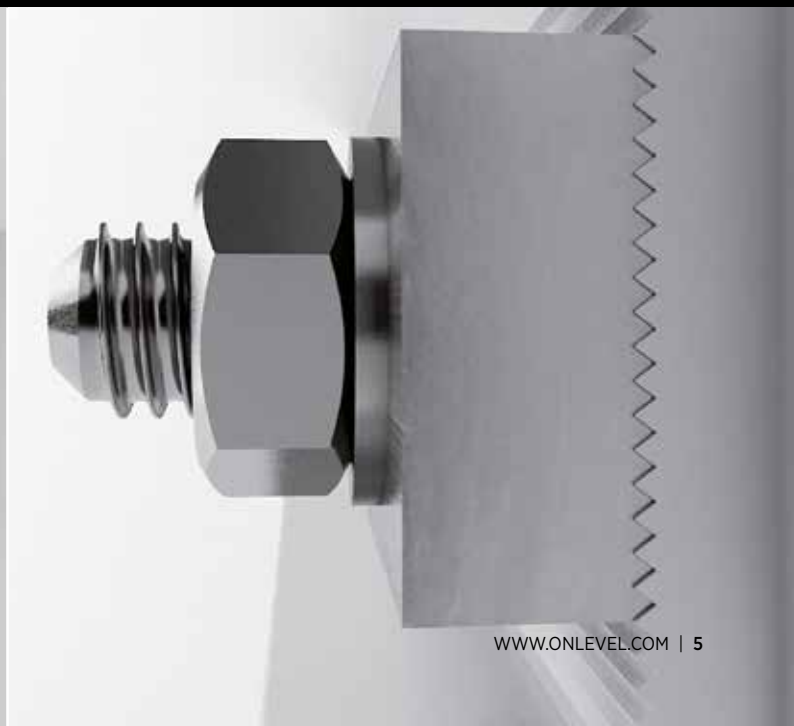
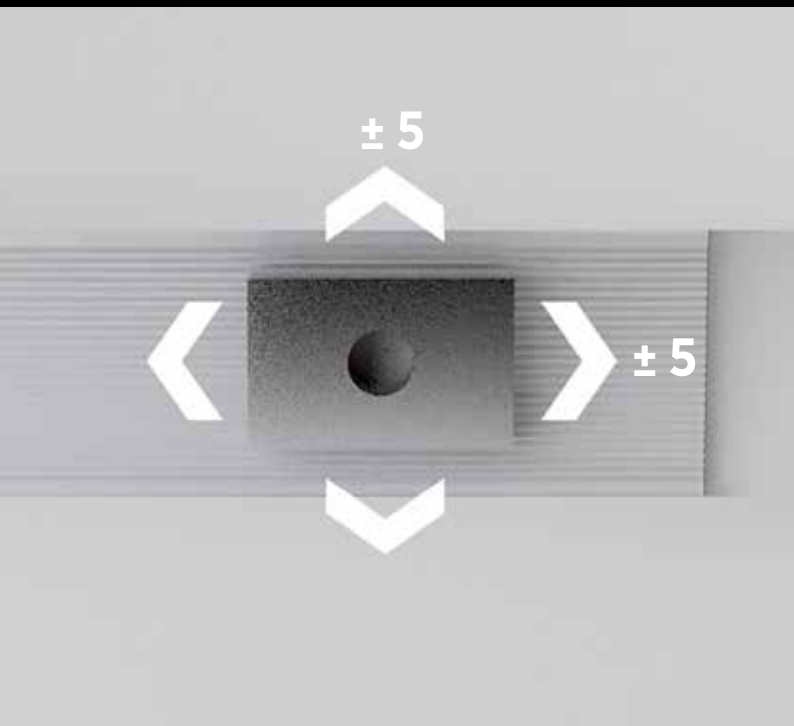
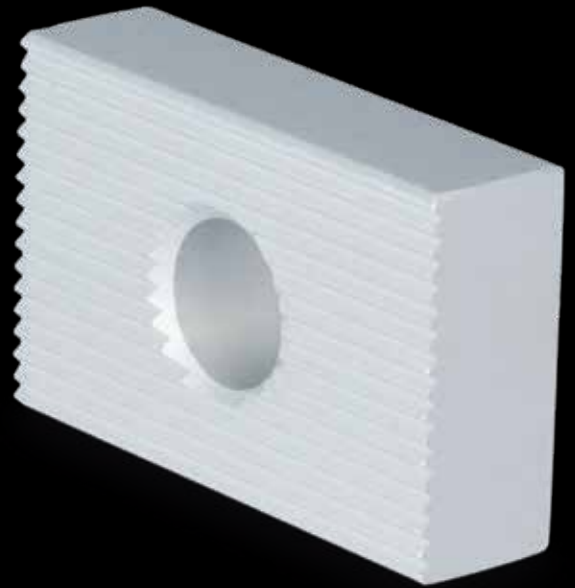
# HEIGHT ADJUSTABLE MOUNTING BLOCK.

## The Steady and Flexible Body.

We wouldn't be ONLEVEL, if we didn't work permanently for the further development of our products: We have enabled a more significant compensation of construction and mounting tolerances by taking optimum advantage of the opportunities provided by aluminium extrusions.

Therefore, the drill hole for fixing our glass support profiles does not need to be completely accurate any more, but has a tolerance of approx. 5 mm in each direction. In order to guarantee that the glass balustrade remains in place, the mounting block is equipped with teeth. In this way, a force-locked connection is achieved. Therefore always pay attention to the logo indicating the suitable application types.

Mounting block is included in the AIRFORCE set



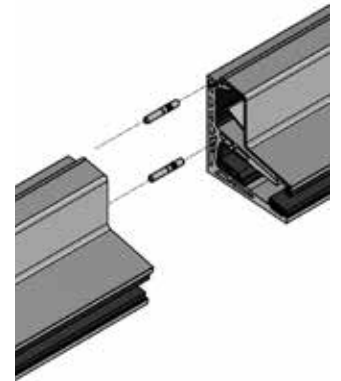
# AIRFORCE | SYSTEM

## Extension pin



- | Infinite extensions?  
No problem, we remove the end cap for you
- | Length: 40 mm
- | Diameter Ø 6 mm
- | Sales unit: 8 pieces

<b>Model 7001</b>	<b>V4A (interior &amp; exterior)</b>
	Art. no.
	90.7001.640.31

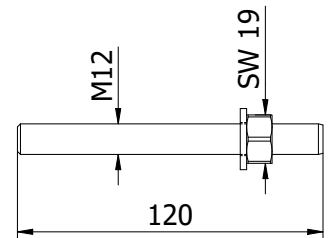


## Fischer fixing anchor FIS A M12x120



- | Suitable mortar: 91.3000.010.00
- | V4A (outside)
- | Required number per 1400 mm: 7 pieces,  
per 2000 mm: 10 pieces, per 2400 mm: 12 pieces
- | Sales unit = 10 pieces

<b>Model 3551</b>	<b>V4A (outside)</b>
	Art. no.
	91.3551.212.30



## Mortar FIS SB 390 S



- | For chemical anchor bonding
- | Including 2 mixers
- | Sales unit: 1 piece

<b>Model 3000</b>	
	Art. no.
	91.3000.010.00

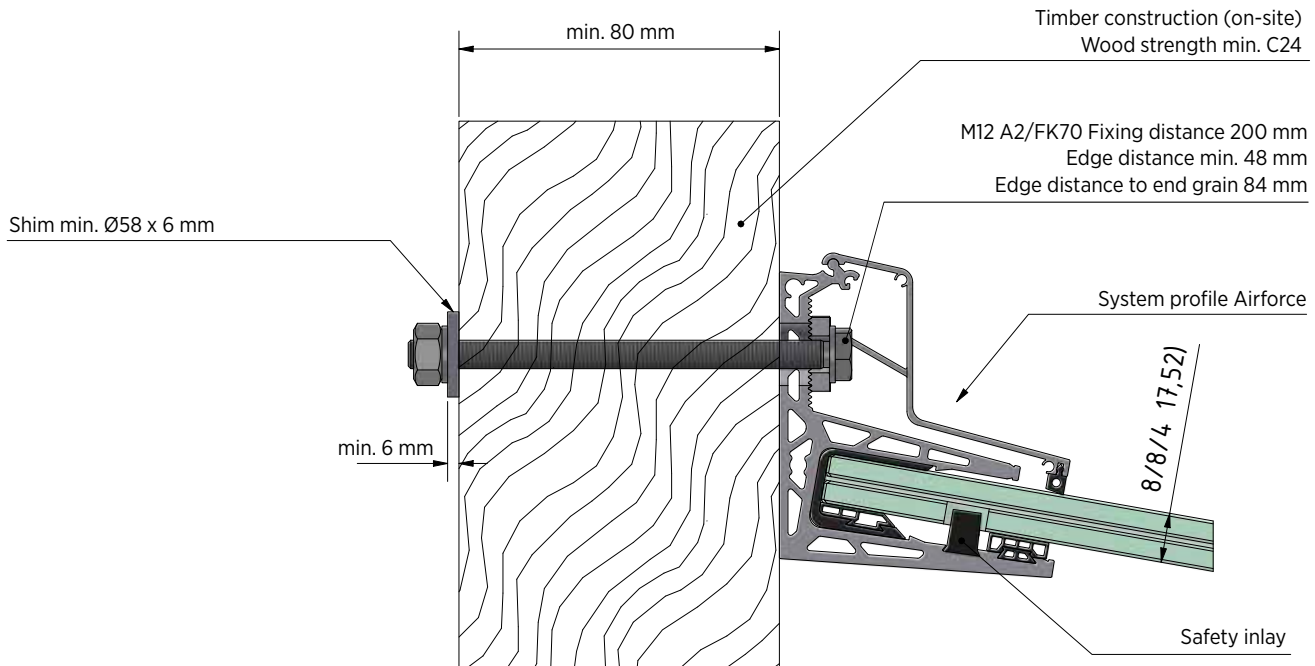
## Cutting Airforce



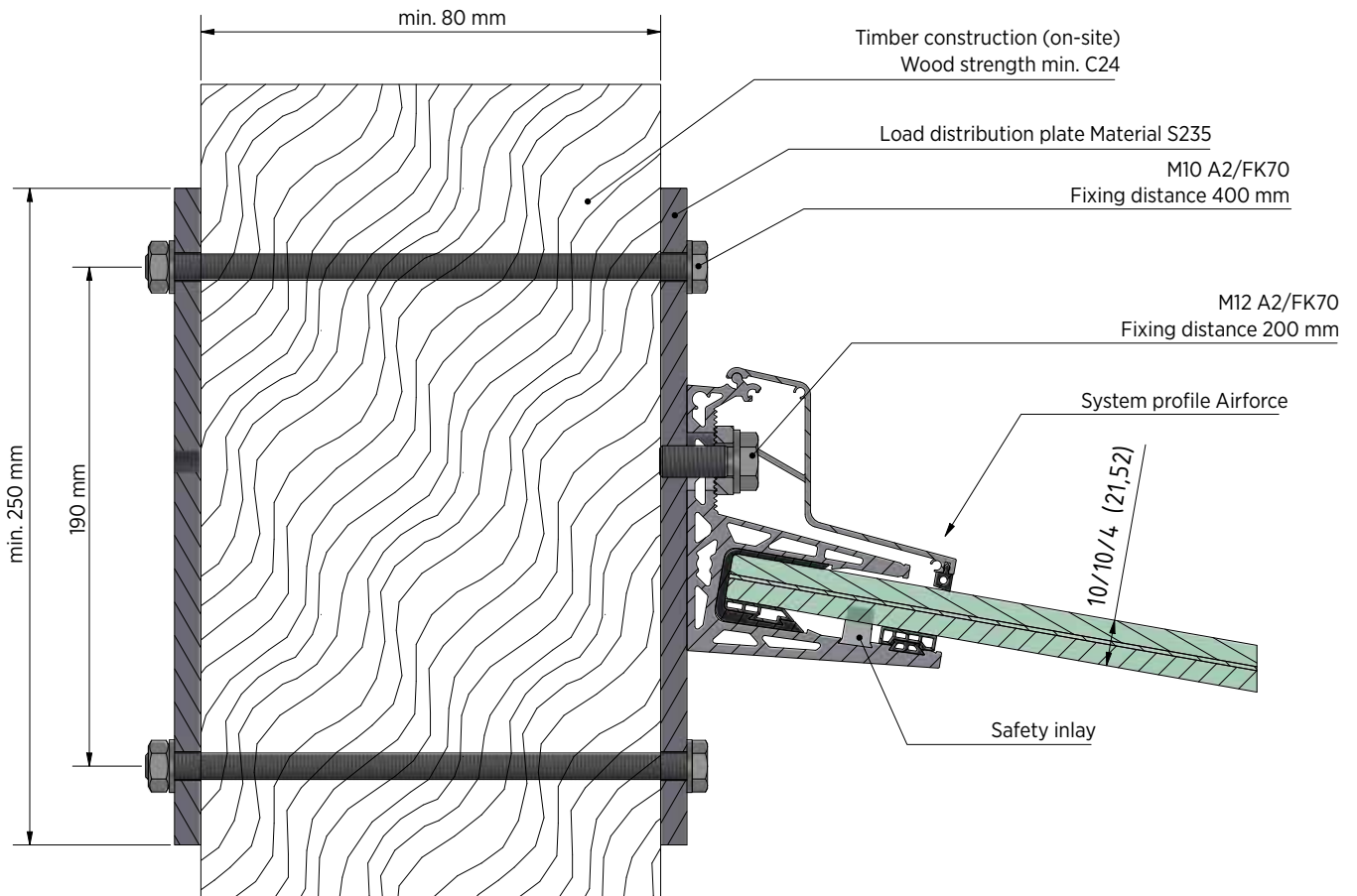
	Art. no.
	95.0000.019.02

# AIRFORCE | MOUNTING EXAMPLES

## Connection to wood for 8/8/4 (17.52) glass

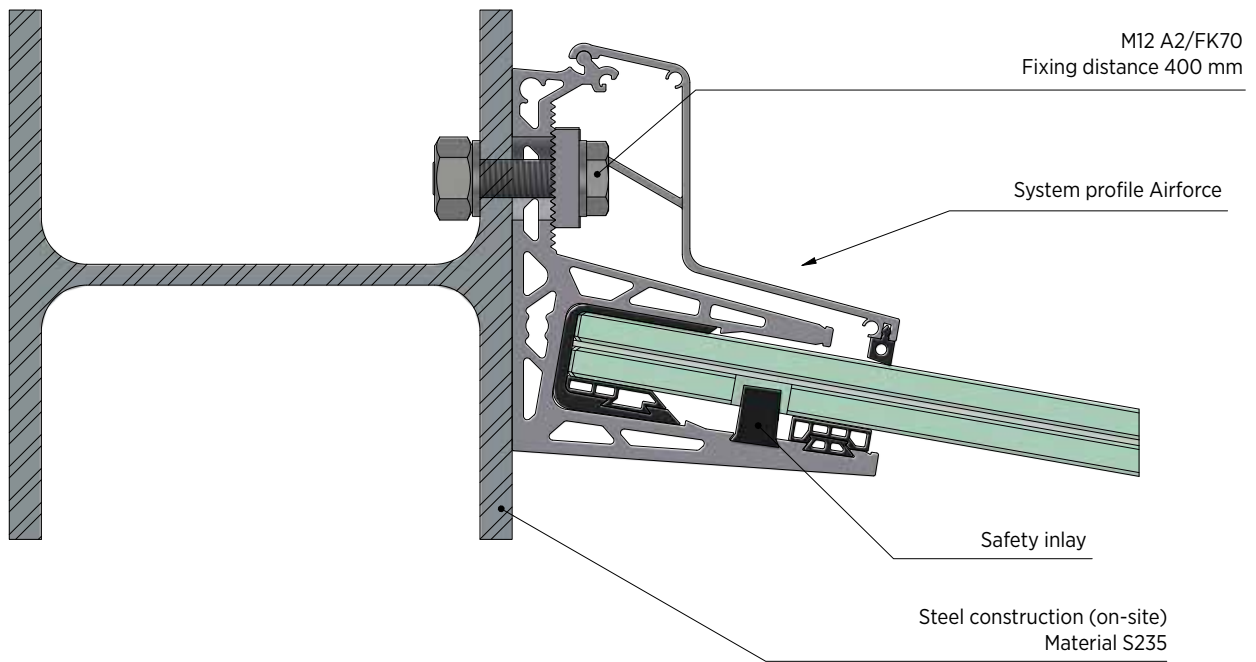


## Connection to wood for 10/10/4 (21.52) glass

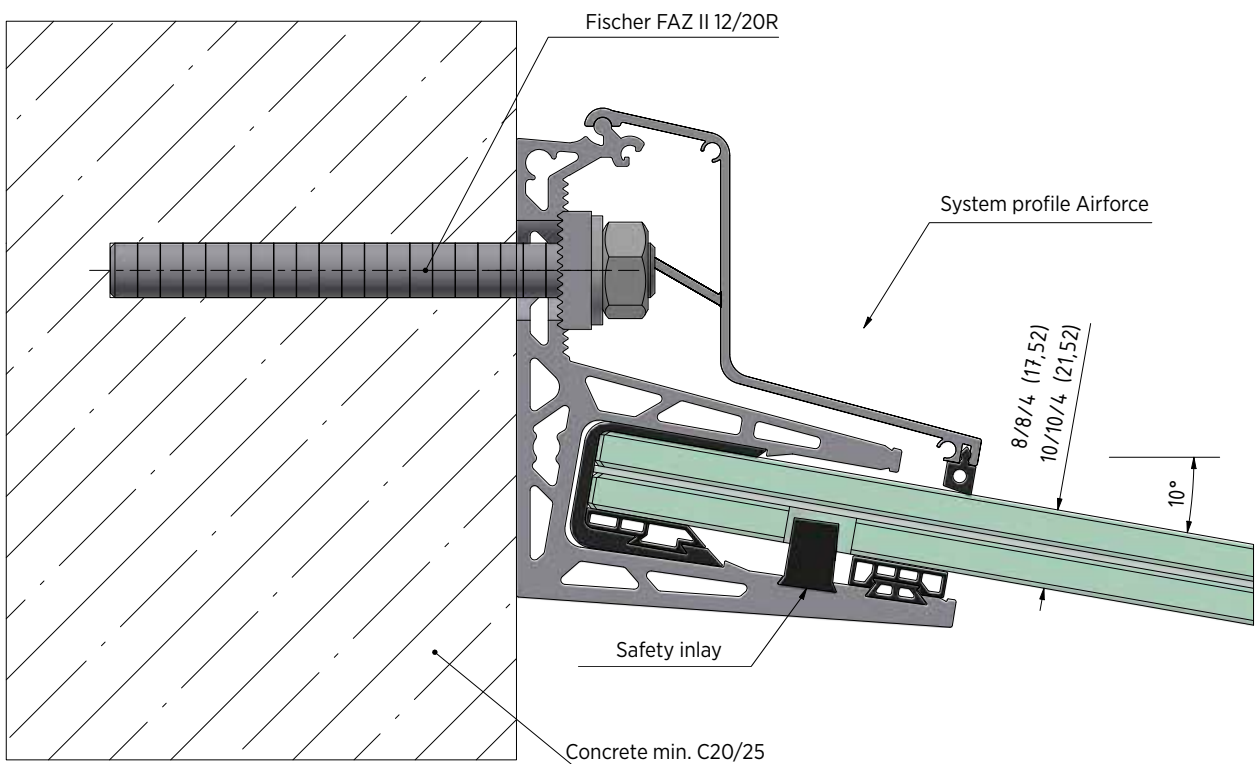


# AIRFORCE | MOUNTING EXAMPLES

## Connection to steel



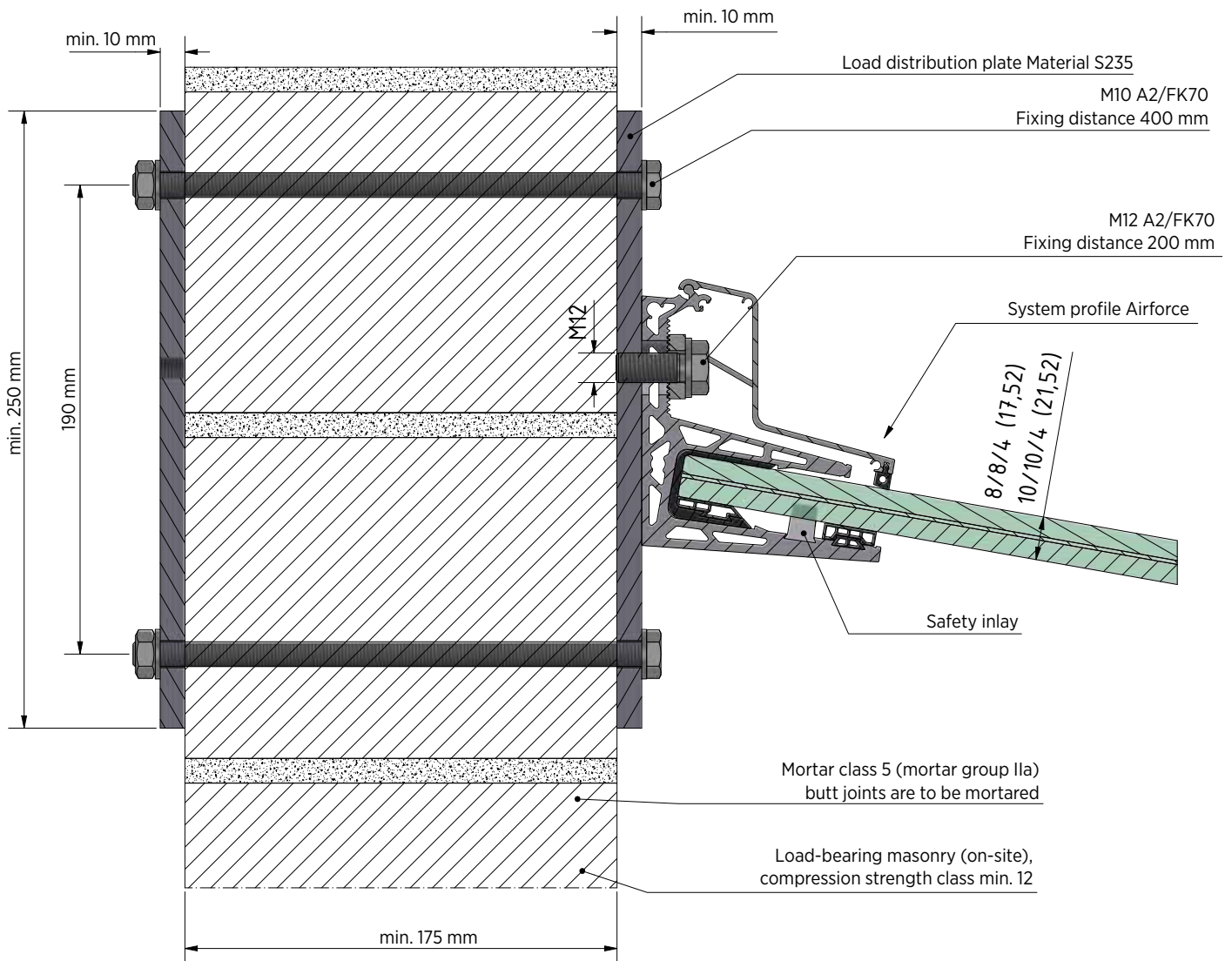
## Connection to concrete





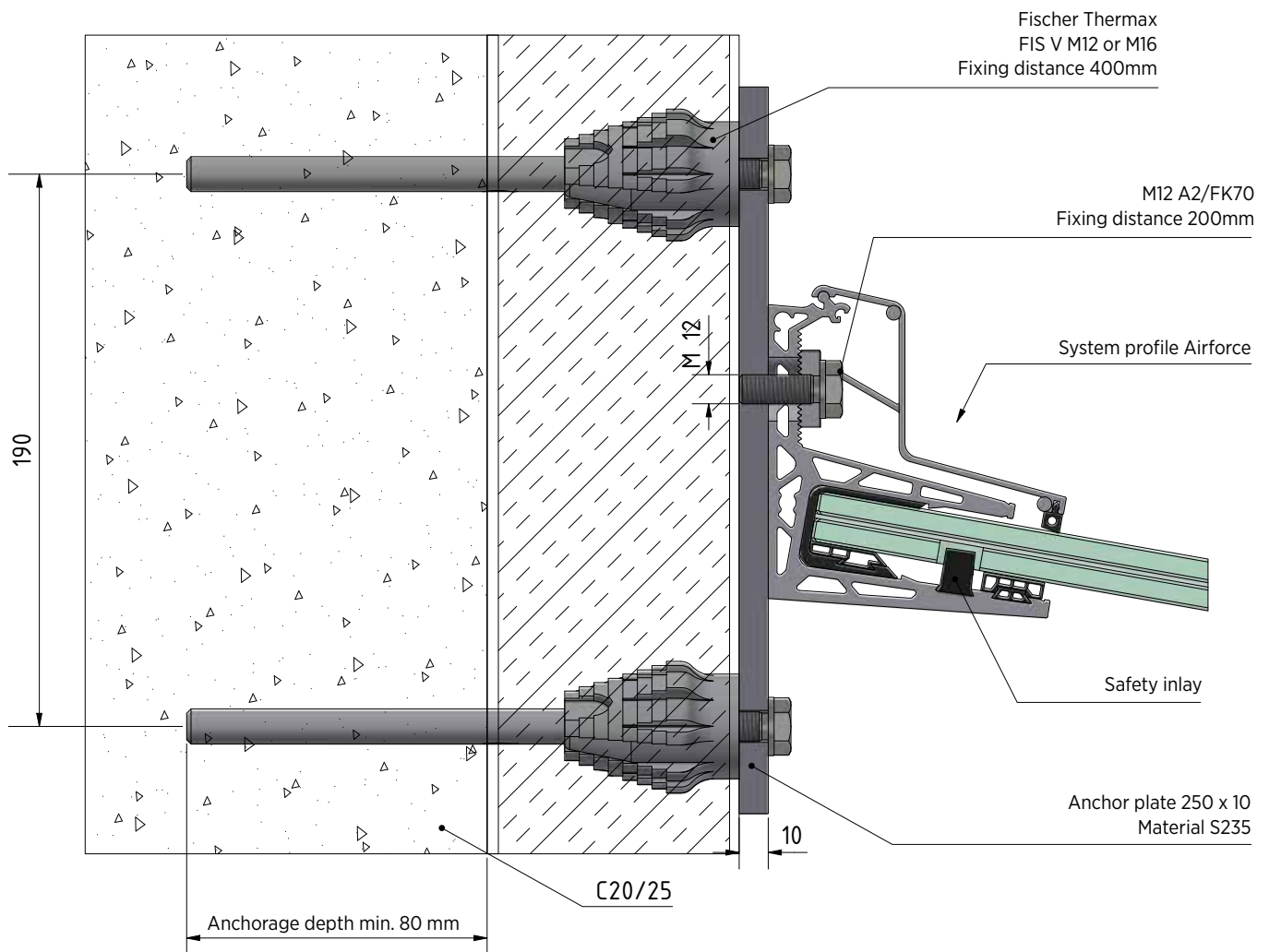
# AIRFORCE | MOUNTING EXAMPLES

## Connection to stone



# AIRFORCE | MOUNTING EXAMPLES

## Connection to ETICS



**AIRFORCE | OUTDOOR USE**





# ONLEVEL

**ONLEVEL GmbH** | Budberger Straße 5 | 46446 Emmerich am Rhein | Germany  
+49 (0)2822 97514-0 | [info@onlevel.com](mailto:info@onlevel.com) | [www.onlevel.com](http://www.onlevel.com)