

ONLEVEL

**ONLY
YOU**

ANY COLOUR, ANY SIZE
WITHIN 15 DAYS

AIRFORCE

AIRFORCE

CANTILEVER GLASS CANOPY

AIRFORCE

The only glass canopy you need to know.

AIRFORCE on Roofing Surveillance Mission

Our reconnaissance task: As we know that we can't count on dream weather every day, our Innovation Hotbed came up with a height-adjustable canopy with an integrated, self-triggering cover. As a matter of fact, the ONLEVEL Product Pioneers also had a user-friendly installation in mind for you to whip up your project quickly and stressfree.

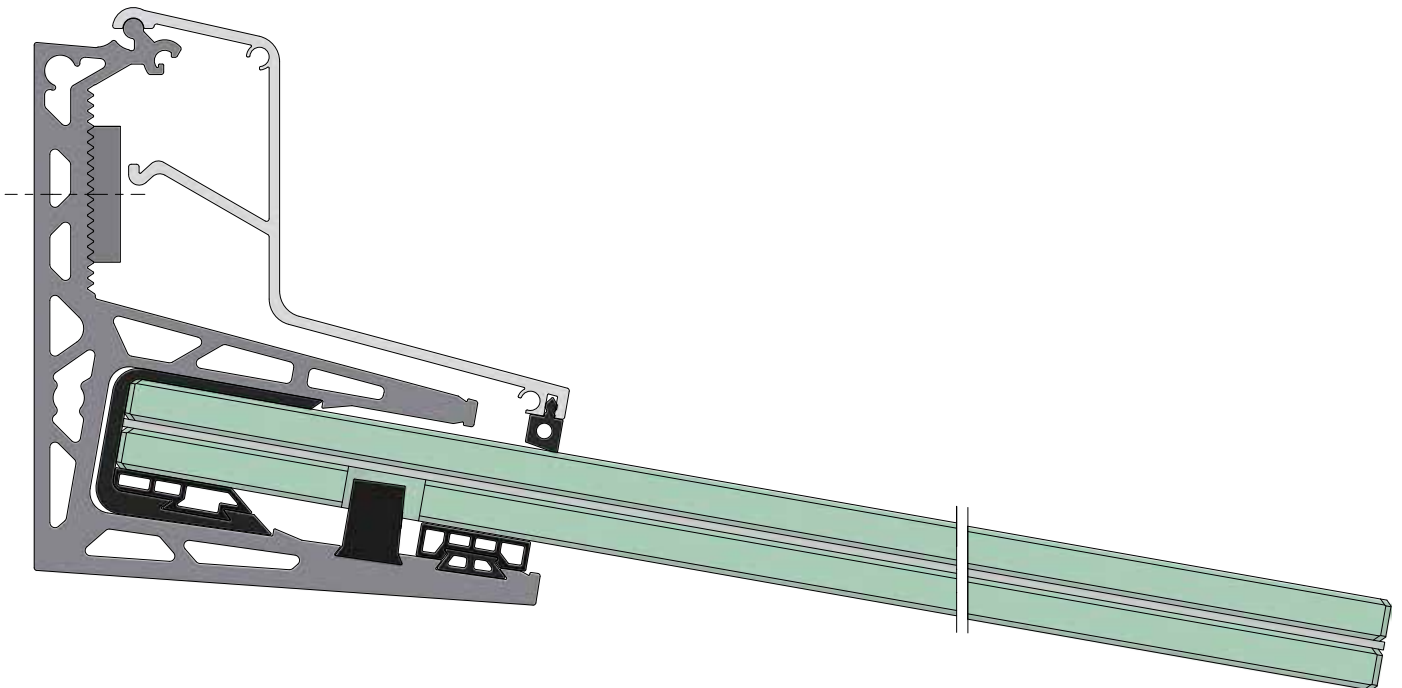
Winner, say hello to the sun!

ONLEVEL Airforce goes off like a rocket – when it comes to product innovations, it's already now our winner of the year.

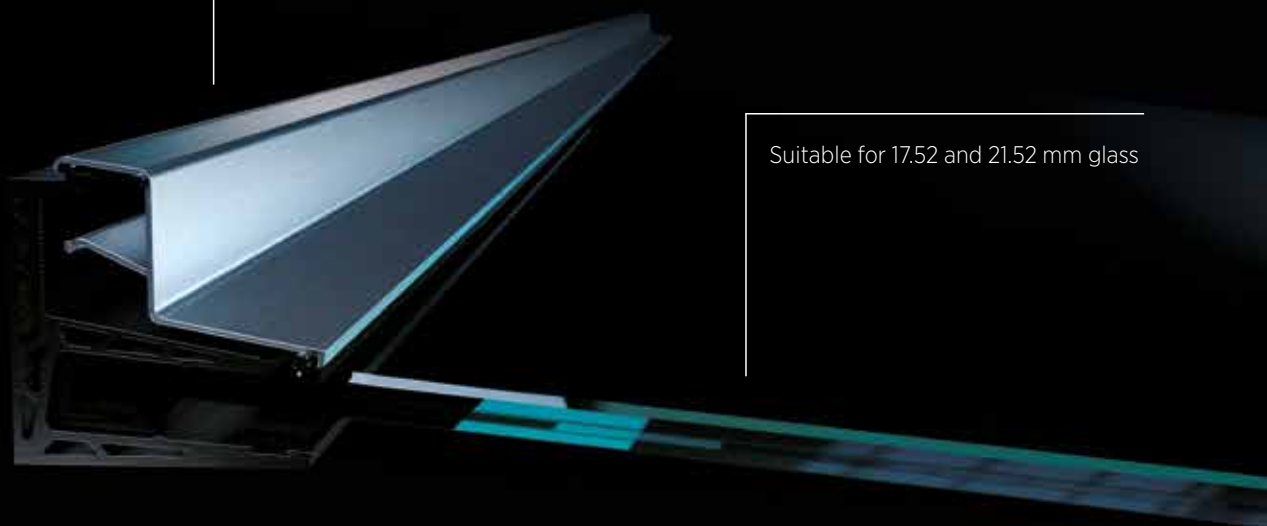
AIRFORCE never leaves you out in the cold and makes you fly high. For your fast propulsion, the ONLEVEL Product Pilots, as always, made sure installation is as easy as can be: Airforce is height adjustable and other lengths or colours on request.

Essential Features

- | Securing the glass from the side
- | Height adjustable with integrated, self-triggering cover
- | Simple mounting
- | Concealed fastening
- | One-sided fastening, no drawbars required
- | Several profiles can be connected to each other
- | Slight glass processing for securing glass panes
- | Only the lower pane requires glass processing, therefore no drilling offset for laminated safety glass
- | Glass projection max. 1100 mm
- | Laminated safety glass made of thermally toughened glass with SGP film
- | Suitable for 17.52 and 21.52 mm glass



Height adjustable with integrated,
self-triggering cover



Suitable for 17.52 and 21.52 mm glass

AIRFORCE | SYSTEM

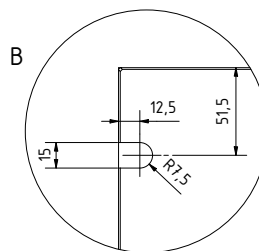
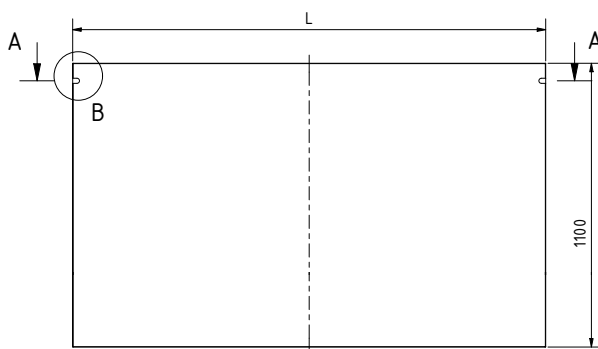
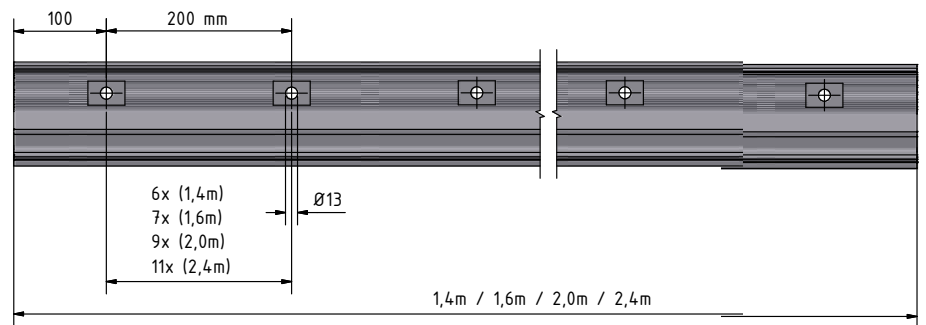
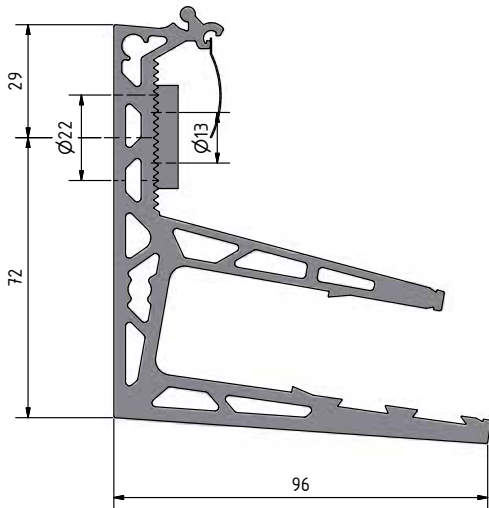
AIRFORCE



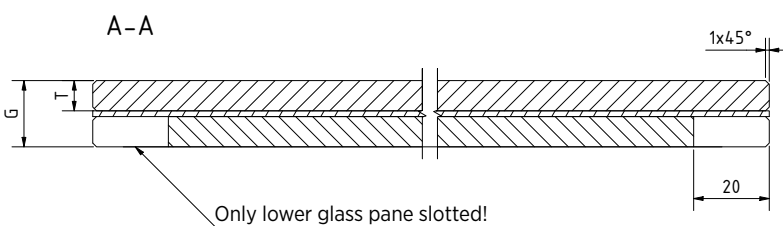
| For 17.52 mm (8/8/4) and 21.52 mm (10/10/4) laminated safety glass made of thermally toughened glass with SGP film
| Sales unit: 1 piece

| Length | 1400 mm | 1600 mm | 2000 mm | 2400 mm |
|---------------------------|----------------|----------------|----------------|----------------|
| Surface | Art. no. | Art. no. | Art. no. | Art. no. |
| Aluminium, mill finish | 17.1014.020.10 | 17.1016.020.10 | 17.1020.020.10 | 17.1024.020.10 |
| Aluminium, plain anodised | 17.1014.020.11 | 17.1016.020.11 | 17.1020.020.11 | 17.1024.020.11 |
| Aluminium RAL glossy | 17.1014.020.13 | 17.1016.020.13 | 17.1020.020.13 | 17.1024.020.13 |
| Aluminium RAL structured | 17.1014.020.16 | 17.1016.020.16 | 17.1020.020.16 | 17.1024.020.16 |
| Aluminium RAL matt | 17.1014.020.18 | 17.1016.020.18 | 17.1020.020.18 | 17.1024.020.18 |
| Aluminium ARMOR RAL | 17.1014.020.19 | 17.1016.020.19 | 17.1020.020.19 | 17.1024.020.19 |

Glass cut-out



| Length | 1400 mm | 1600 mm | 2000 mm | 2400 mm |
|------------------|---------|---------|---------|---------|
| Glass length (L) | 1390 mm | 1590 mm | 1990 mm | 2390 mm |



| Glass thickness (G) | Drilling depth (T) |
|---------------------|--------------------|
| 8/8/4 (17.52 mm) | 8 mm |
| 10/10/4 (21.52 mm) | 10 mm |

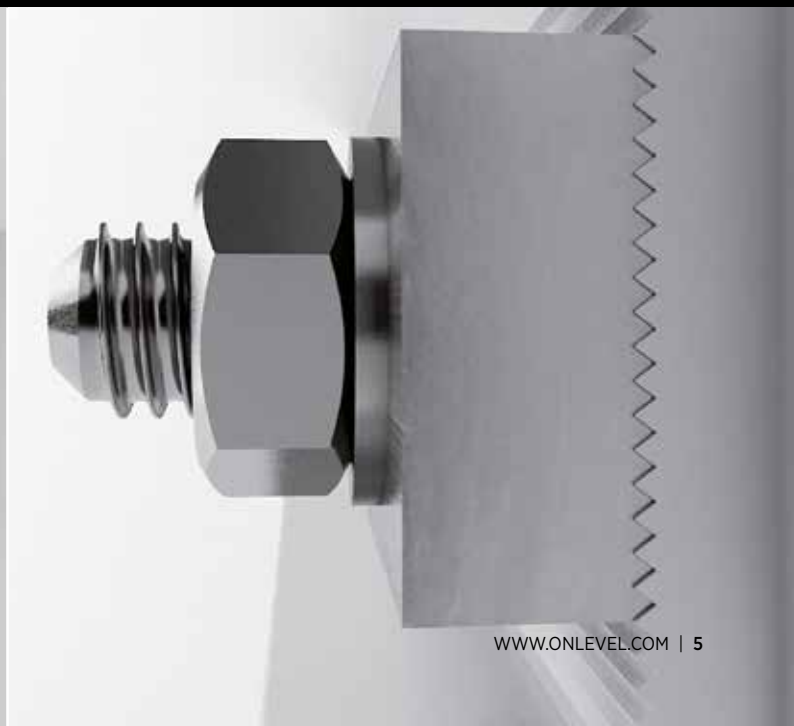
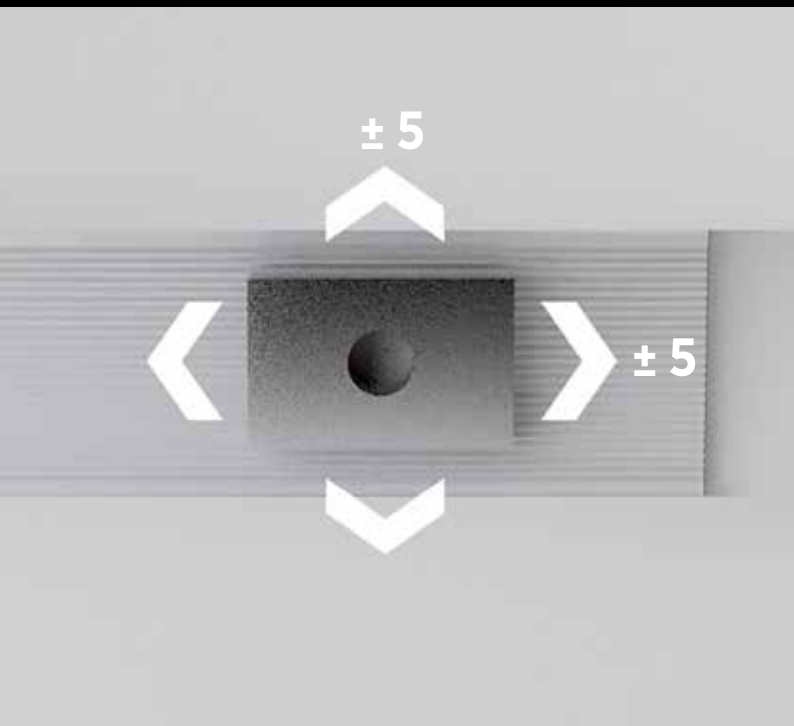
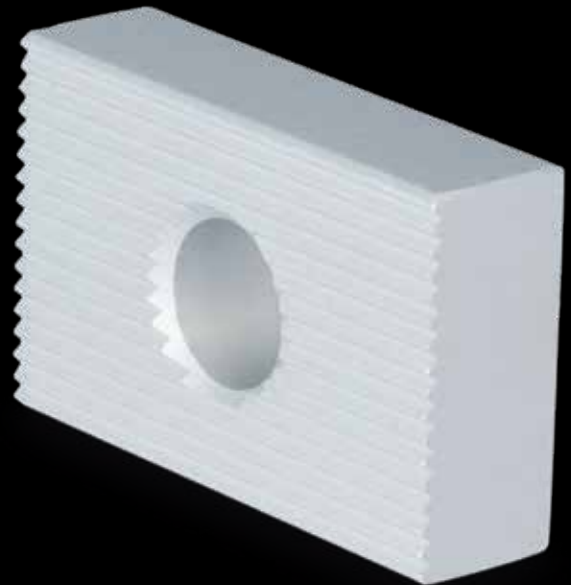
HEIGHT ADJUSTABLE MOUNTING BLOCK.

The Steady and Flexible Body.

We wouldn't be ONLEVEL, if we didn't work permanently for the further development of our products: We have enabled a more significant compensation of construction and mounting tolerances by taking optimum advantage of the opportunities provided by aluminium extrusions.

Therefore, the drill hole for fixing our glass support profiles does not need to be completely accurate any more, but has a tolerance of approx. 5 mm in each direction. In order to guarantee that the glass balustrade remains in place, the mounting block is equipped with teeth. In this way, a force-locked connection is achieved. Therefore always pay attention to the logo indicating the suitable application types.

Mounting block is included in the AIRFORCE set



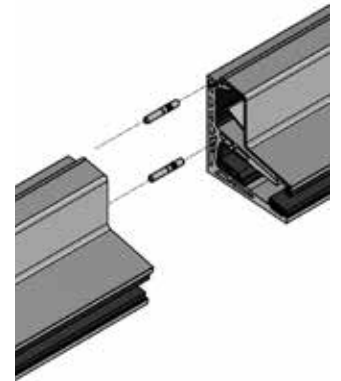
AIRFORCE | SYSTEM

Extension pin



- | Infinite extensions?
No problem, we remove the end cap for you
- | Length: 40 mm
- | Diameter Ø 6 mm
- | Sales unit: 8 pieces

| | |
|-------------------|--------------------------------------|
| Model 7001 | V4A (interior & exterior) |
| | Art. no. |
| | 90.7001.640.31 |

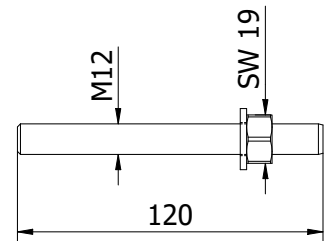


Fischer fixing anchor FIS A M12x120



- | Suitable mortar: 91.3000.010.00
- | V4A (outside)
- | Required number per 1400 mm: 7 pieces,
per 2000 mm: 10 pieces, per 2400 mm: 12 pieces
- | Sales unit = 10 pieces

| | |
|-------------------|----------------------|
| Model 3551 | V4A (outside) |
| | Art. no. |
| | 91.3551.212.30 |



Mortar FIS SB 390 S



- | For chemical anchor bonding
- | Including 2 mixers
- | Sales unit: 1 piece

| | |
|-------------------|----------------|
| Model 3000 | |
| | Art. no. |
| | 91.3000.010.00 |

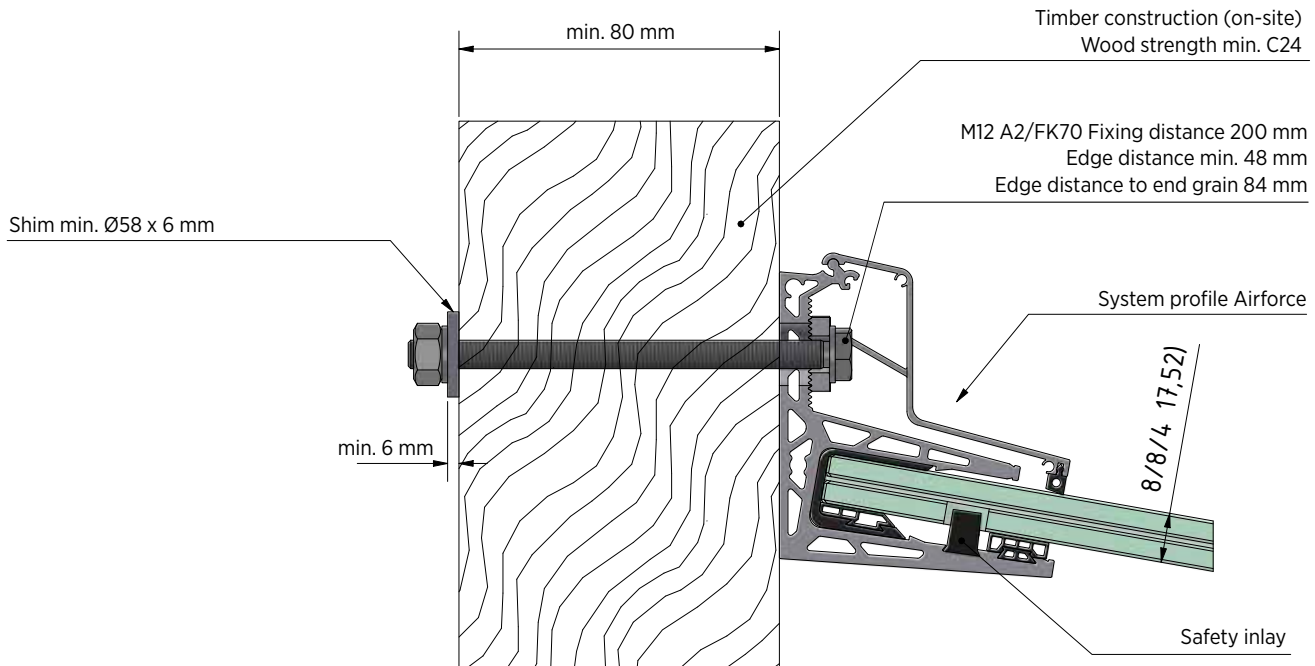
Cutting Airforce



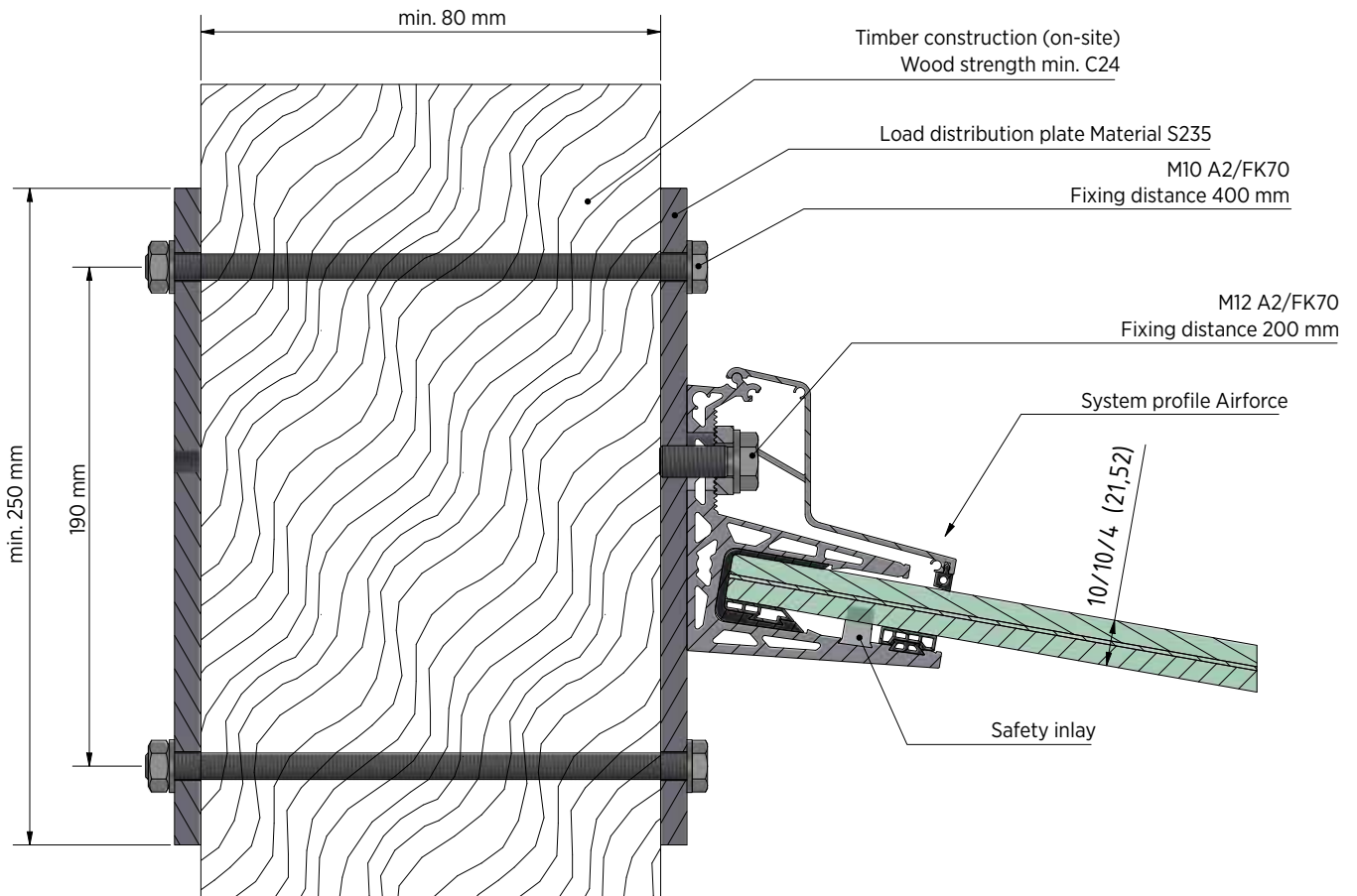
| | |
|--|----------------|
| | |
| | Art. no. |
| | 95.0000.019.02 |

AIRFORCE | MOUNTING EXAMPLES

Connection to wood for 8/8/4 (17.52) glass



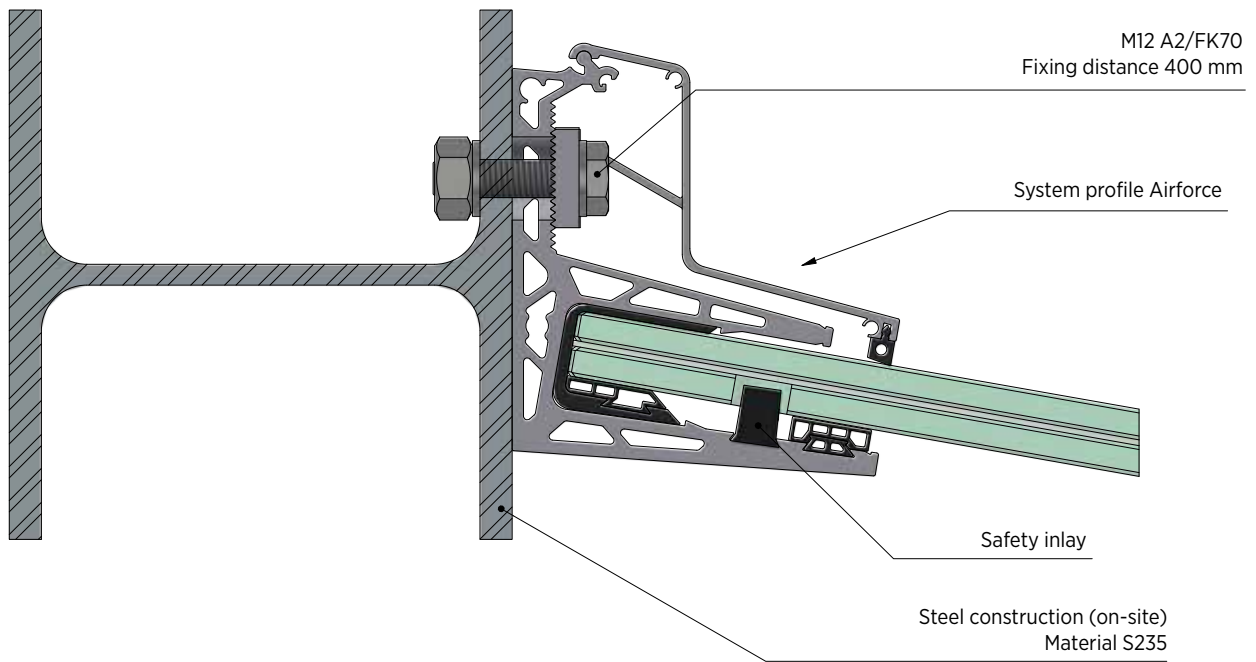
Connection to wood for 10/10/4 (21.52) glass



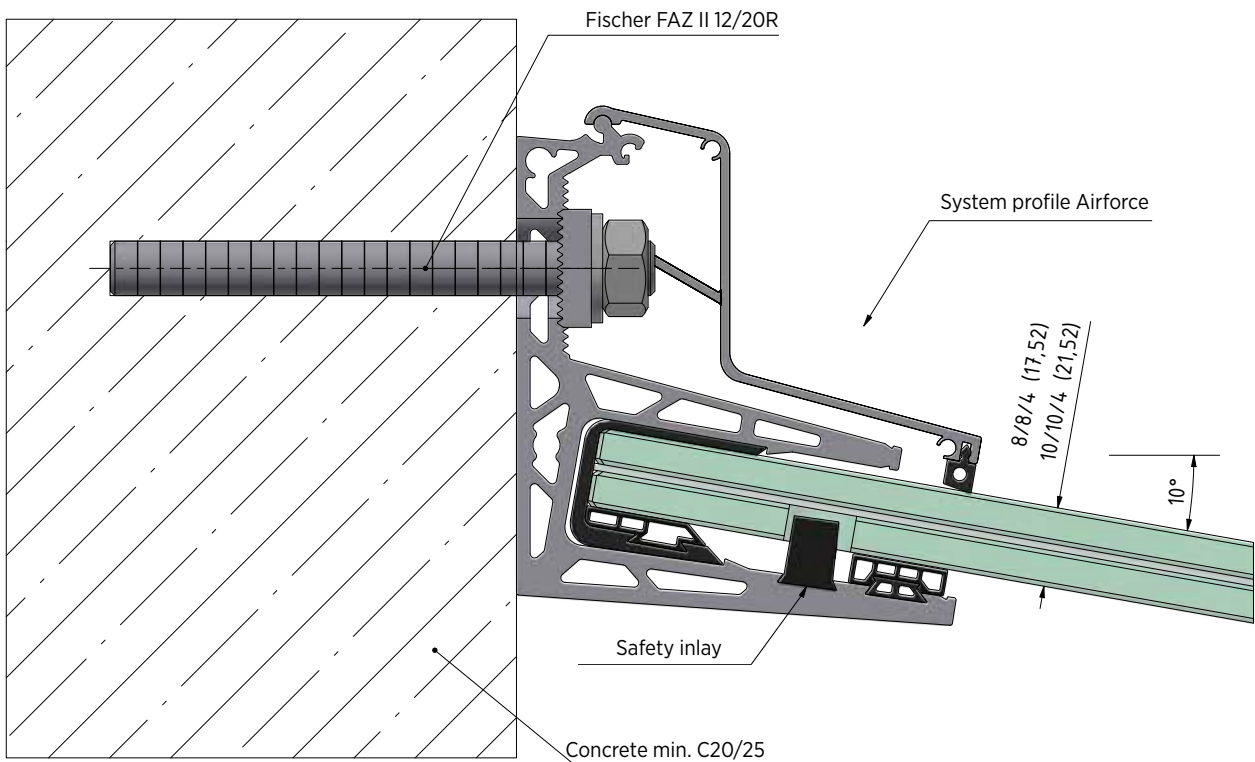
The wall construction must be statically tested on site.

AIRFORCE | MOUNTING EXAMPLES

Connection to steel

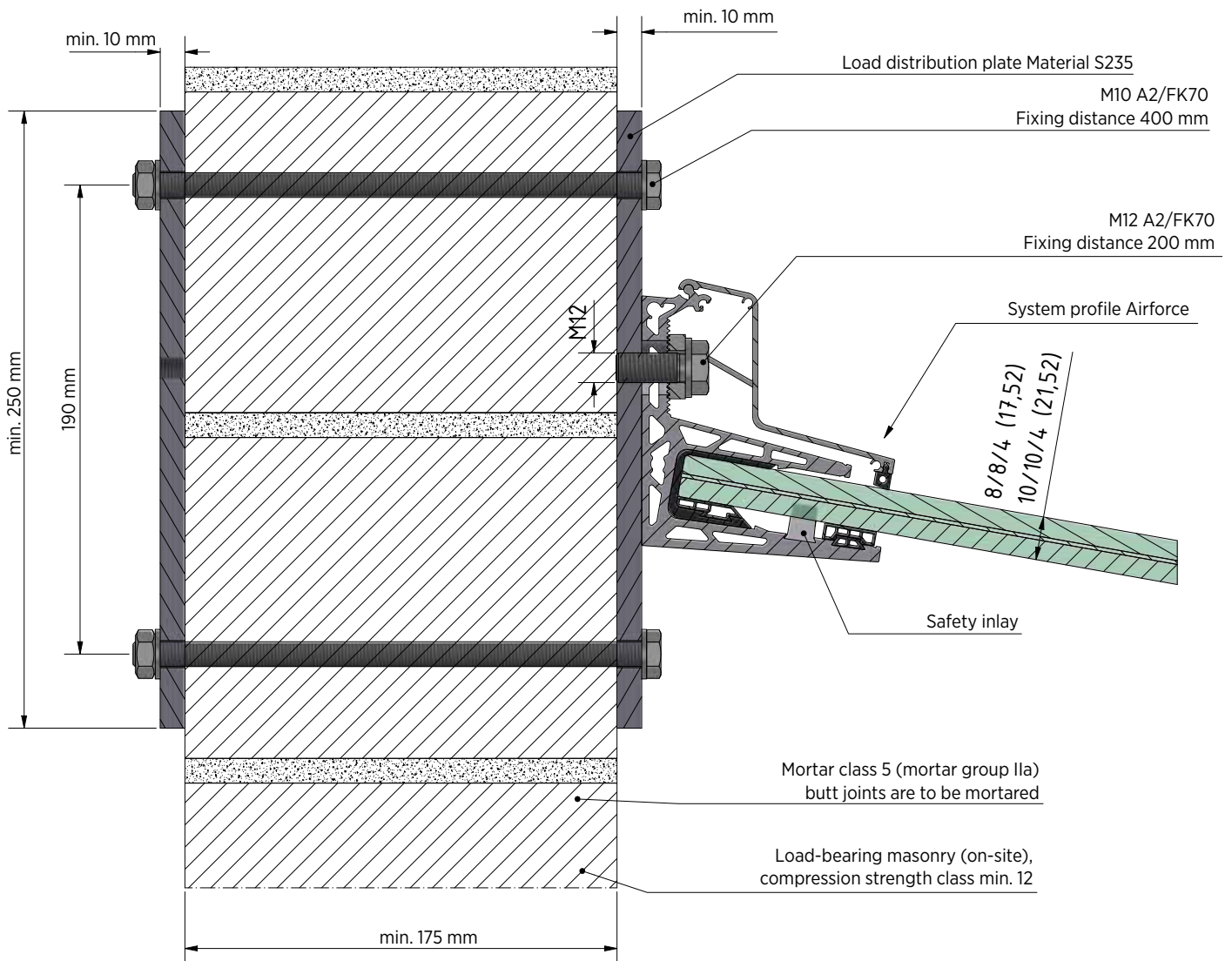


Connection to concrete



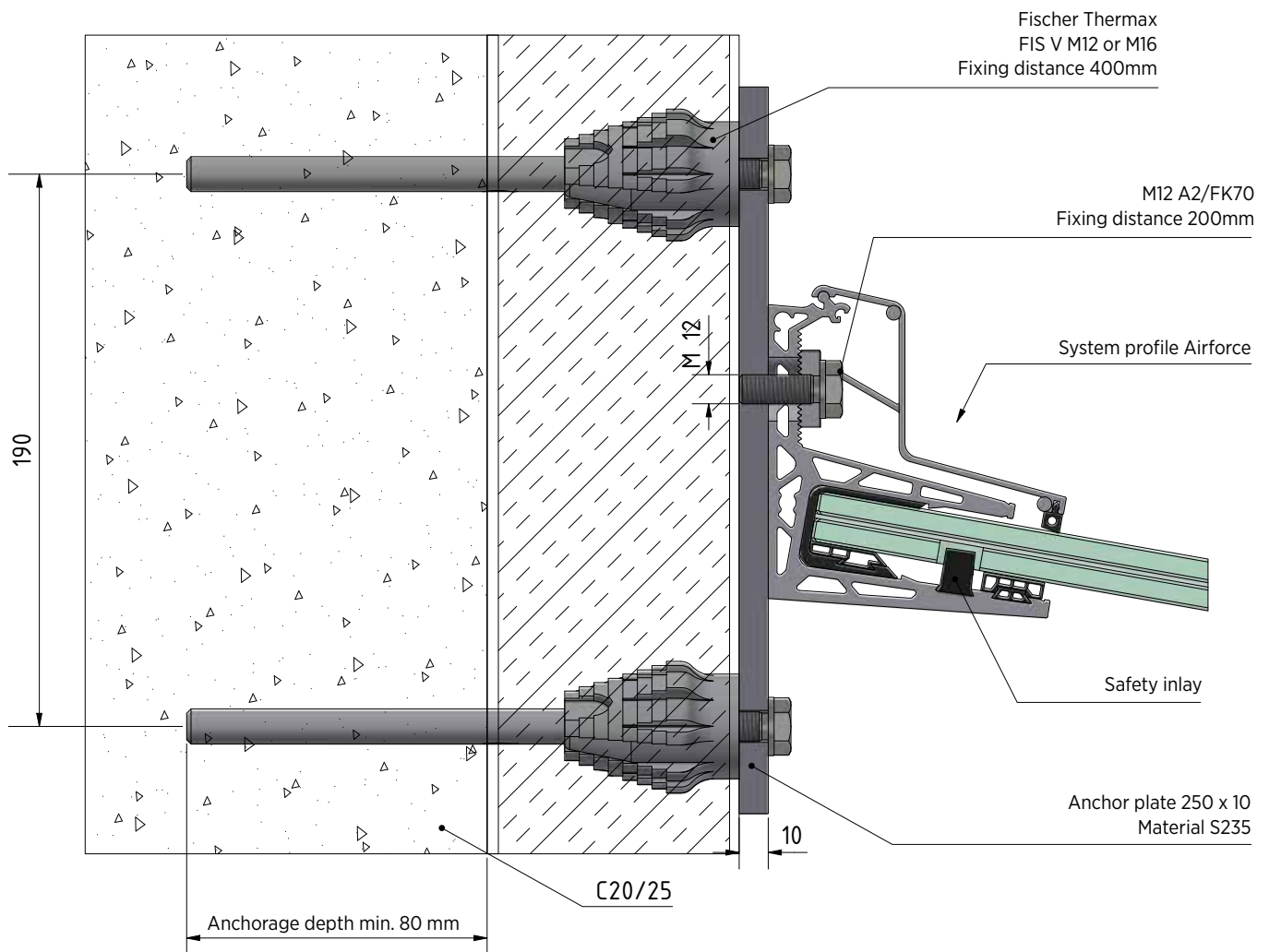
AIRFORCE | MOUNTING EXAMPLES

Connection to stone



AIRFORCE | MOUNTING EXAMPLES

Connection to ETICS



AIRFORCE | OUTDOOR USE





ONLEVEL

ONLEVEL Ltd. | Units 6 & 7, Alexandria Court | Alexandria Drive
Ashton Commerce Park | Ashton-under-Lyne | Lancashire OL7 0QN | United Kingdom
T +44 0161 804 9500 | F +44 0161 804 9505 | info@onlevel-uk.com | www.onlevel.com