

ONLEVEL

**ONLY  
YOU**

ANY COLOUR, ANY SIZE  
WITHIN 15 DAYS

AIRFORCE

**AIRFORCE**

CANTILEVER GLASS CANOPY

# AIRFORCE

The only glass canopy you need to know.

## AIRFORCE on Roofing Surveillance Mission

Our reconnaissance task: As we know that we can't count on dream weather every day, our Innovation Hotbed came up with a height-adjustable canopy with an integrated, self-triggering cover. As a matter of fact, the **ONLEVEL** Product Pioneers also had a user-friendly installation in mind for you to whip up your project quickly and stressfree.

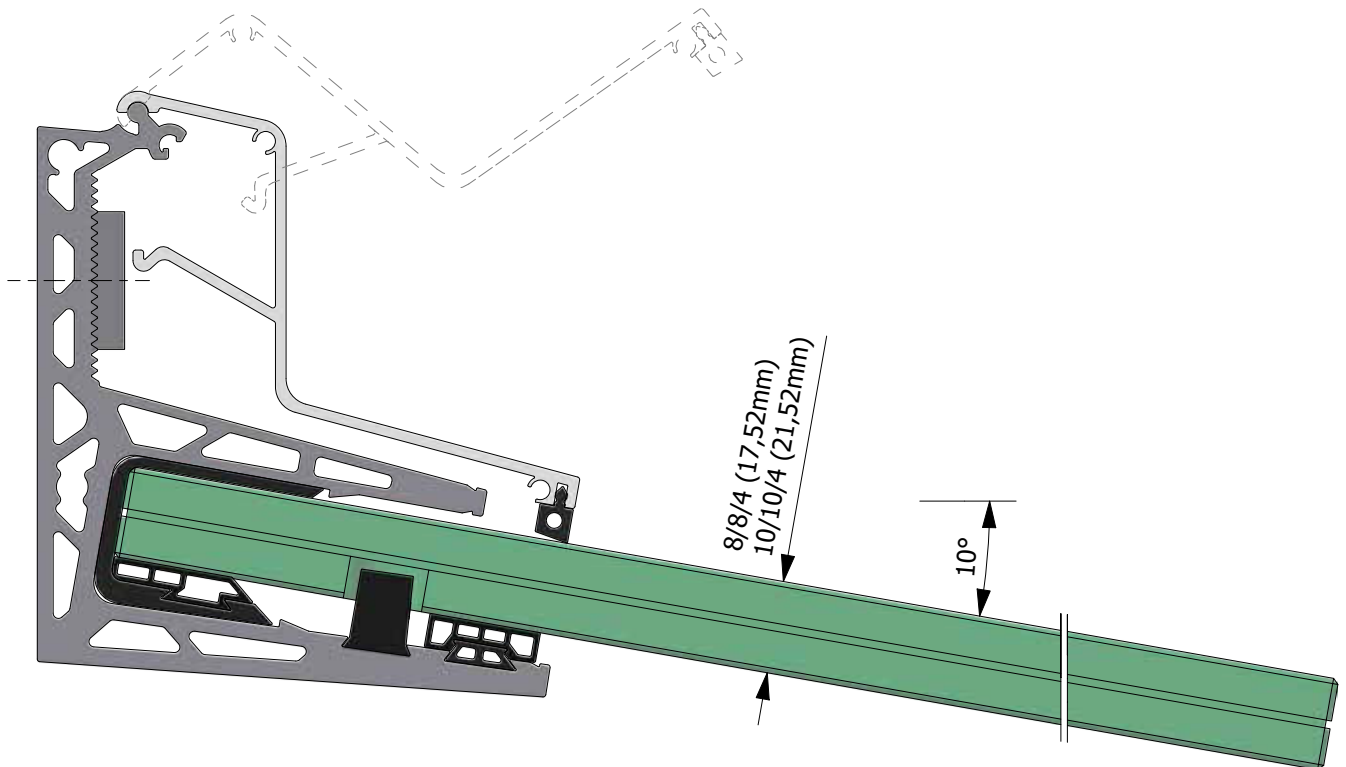
## Winner, say hello to the sun!

**ONLEVEL** Airforce goes off like a rocket – when it comes to product innovations, it's already now our winner of the year.

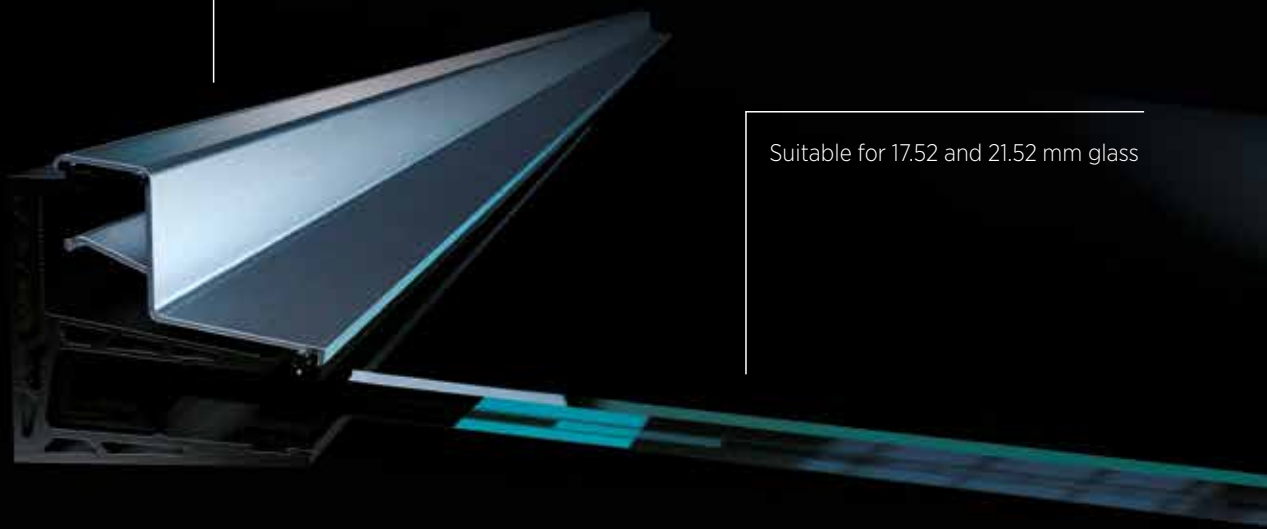
**AIRFORCE** never leaves you out in the cold and makes you fly high. For your fast propulsion, the **ONLEVEL** Product Pilots, as always, made sure installation is as easy as can be: Airforce is height adjustable and other lengths or colours on request.

## Essential Features

- | Securing the glass from the side
- | Height adjustable with integrated, self-triggering cover
- | Simple mounting
- | Concealed fastening
- | One-sided fastening, no drawbars required
- | Several profiles can be connected to each other
- | Slight glass processing for securing glass panes
- | Only the lower pane requires glass processing, therefore no drilling offset for laminated safety glass
- | Suitable for 17.52 and 21.52 mm glass
- | 17.52mm VSG glass made of TVG with SGP film, max. glass projection 1000mm, min width 1390 mm
- | 21.52mm VSG glass made of TVG with PVB or SGP film, max. glass projection 1100mm, min width 1390 mm
- | 21.52mm VSG glass made of TVG with SGP film, max. glass projection 1200mm, min width 1590 mm
- | Max. glass width 3000mm
- | 10° inclination
- | **AbZ** in progress



Height adjustable with integrated,  
self-triggering cover



Suitable for 17.52 and 21.52 mm glass

# AIRFORCE | SYSTEM

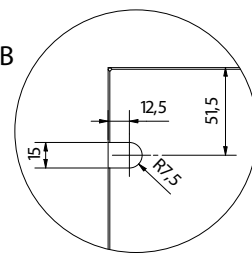
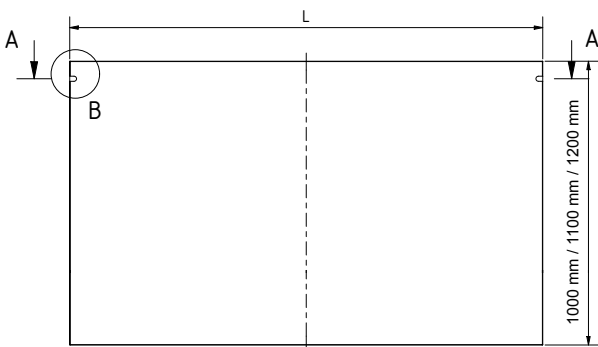
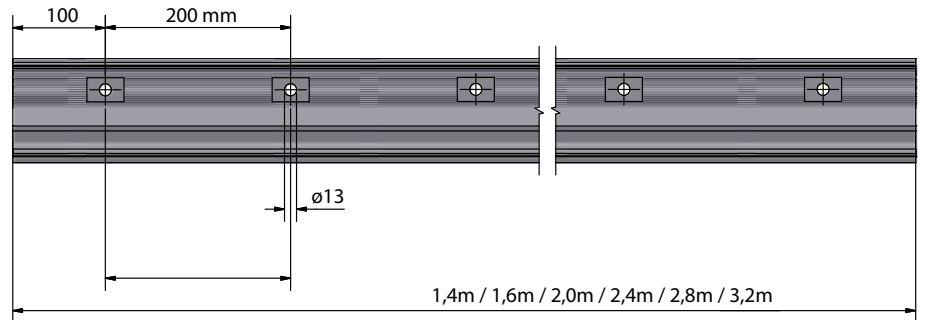
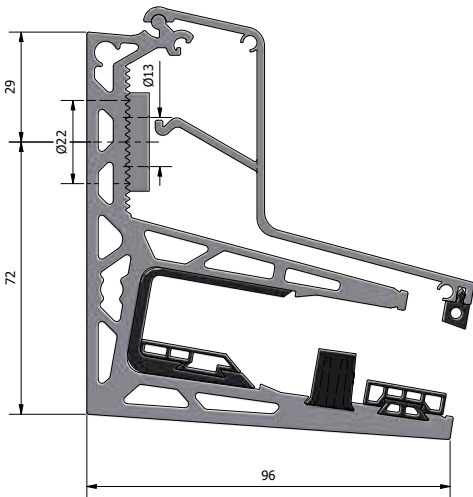
## AIRFORCE



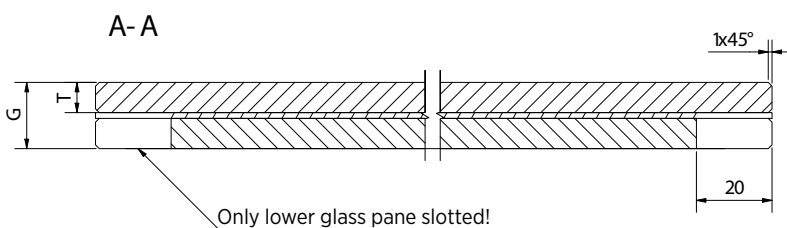
| For 17.52 mm (8/8/4) and 21.52 mm (10/10/4) laminated safety glass made of thermally toughened glass with PVB or SGP film  
 | Sales unit: 1 piece

Length	1400 mm	1600 mm	2000 mm	2400 mm	2800 mm	3200 mm
Surface	Art. no.	Art. no.	Art. no.	Art. no.	Art. no.	Art. no.
mill finish	17.1014.020.10	17.1016.020.10	17.1020.020.10	17.1024.020.10	17.1028.020.10	17.1032.020.10
plain anodised	17.1014.020.11	17.1016.020.11	17.1020.020.11	17.1024.020.11	17.1028.020.11	17.1032.020.11
RAL glossy	17.1014.020.13	17.1016.020.13	17.1020.020.13	17.1024.020.13	17.1028.020.13	17.1032.020.13
RAL structured	17.1014.020.16	17.1016.020.16	17.1020.020.16	17.1024.020.16	17.1028.020.16	17.1032.020.16
RAL matt	17.1014.020.18	17.1016.020.18	17.1020.020.18	17.1024.020.18	17.1028.020.18	17.1032.020.18
ARMOR RAL	17.1014.020.19	17.1016.020.19	17.1020.020.19	17.1024.020.19	17.1028.020.19	17.1032.020.19

## Glass cut-out



- | 17.52mm VSG glass made of TVG with SGP film, max. glass projection 1000mm, min width 1390 mm
- | 21.52mm VSG glass made of TVG with PVB or SGP film, max. glass projection 1100mm, min width 1390 mm
- | 21.52mm VSG glass made of TVG with SGP film, max. glass projection 1200mm, min width 1590 mm
- | Max. glass width 3000mm



### Glass thickness (G)

8/8/4 (17.52 mm)

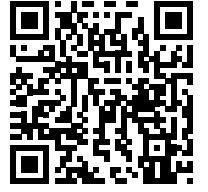
10/10/4 (21.52 mm)

ONLEVEL

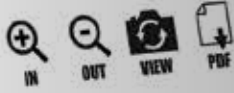
1. Dimensions

2. Surface

3. Fixing



## Glass canopy



Sum \*

€ 500.00

Gross prices (excl. glass panels, wall screws and VAT)

### 1. Dimensions

#### 1.1 Quantity

1 pcs

1.2 Length

(1400mm - 12000mm)

1400 mm

1390



**AUTOMATIC DETERMINATION  
OF GLASS DIMENSIONS**



**3D VIEW OF THE PLANNED  
CONFIGURATION**



**DOWNLOAD FUNCTION WITH ALL DIMENSIONS  
AND THE REQUIRED GLASS PROCESSING**

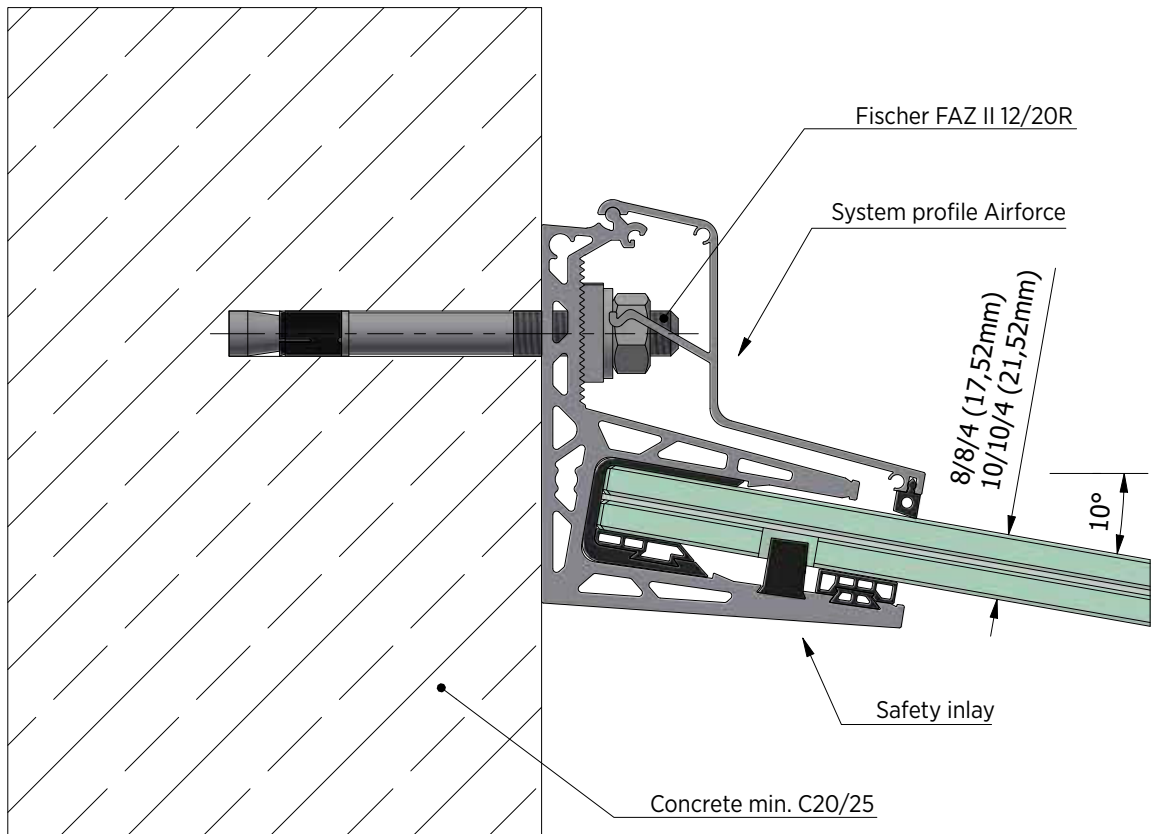
**CONFIGURE IT OUT!**

**THE AIRFORCE CONFIGURATOR FROM ONLEVEL.**

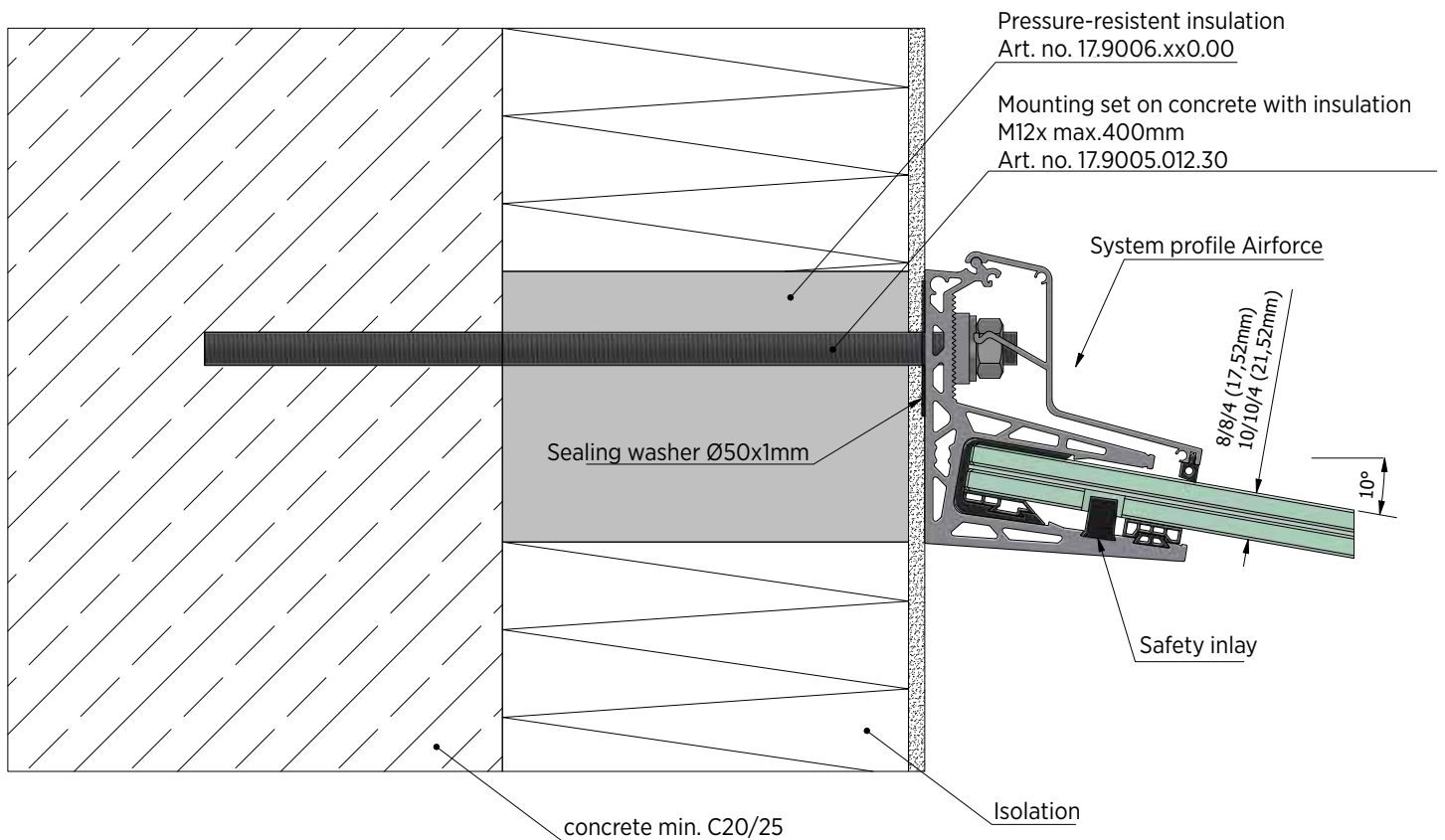
[WWW.ONLEVEL-SHOP.COM](http://WWW.ONLEVEL-SHOP.COM)

# AIRFORCE | MOUNTING ON CONCRETE

## Connection to concrete



## Connection to concrete with isolation

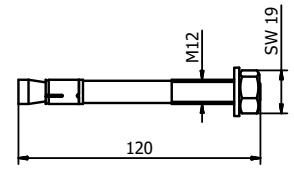


# AIRFORCE | MOUNTING ON CONCRETE

## Fischer fixing anchor FAZ II 12/20



- | Finish exterior application: V4A (exterior)
- | Required number per 2500 mm: 7 pieces
- | M12
- | Sales unit: 20 pieces

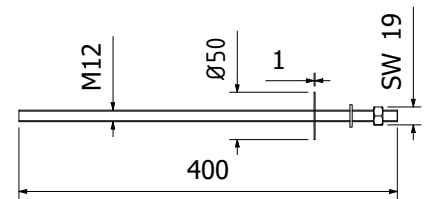


<b>Model 3501</b>	<b>AISI 316 (exterior)</b>
Art. no.	
91.3501.220.30	

## Mounting set on concrete with insulation M12x400mm



- | Sales unit: 8 pieces

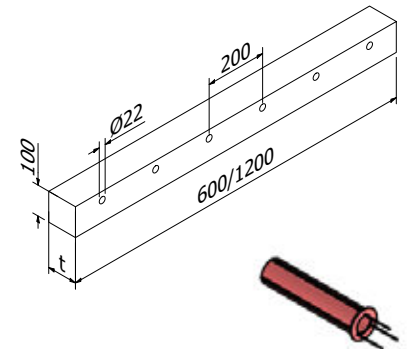


<b>Model 9005</b>	<b>AISI 316 (exterior)</b>	<b>AISI 304</b>
Art. no.		Art. no.
17.9005.012.30		17.9005.012.20

## Pressure-resistant insulation



- | Length 600 or 1200 mm
- | Sales unit: 1 piece



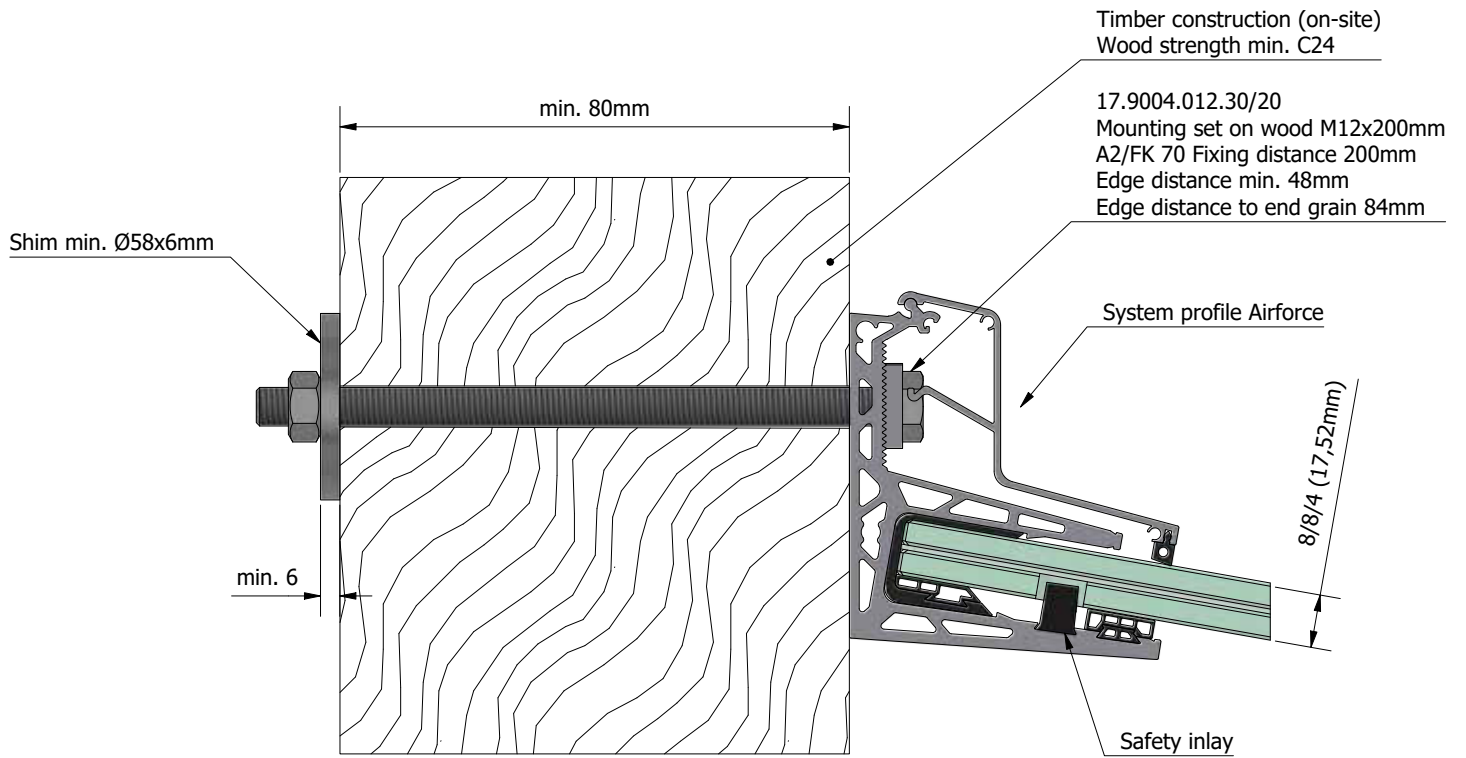
	<b>600 mm</b>	<b>1200mm</b>
Thickness (t)	Art. no.	Art. no.
10mm	17.9006.016.00	17.9006.010.00
100 mm	17.9006.106.00	17.9006.100.00
150 mm	17.9006.156.00	17.9006.150.00
200 mm	17.9006.206.00	17.9006.200.00





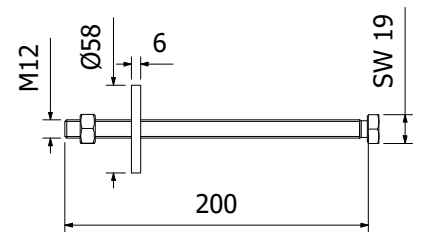
# AIRFORCE | MOUNTING ON WOOD

## Connection to wood for 8/8/4 (17.52) glass



## Mounting set on wood M12x200mm

| Sales unit: 8 Stück

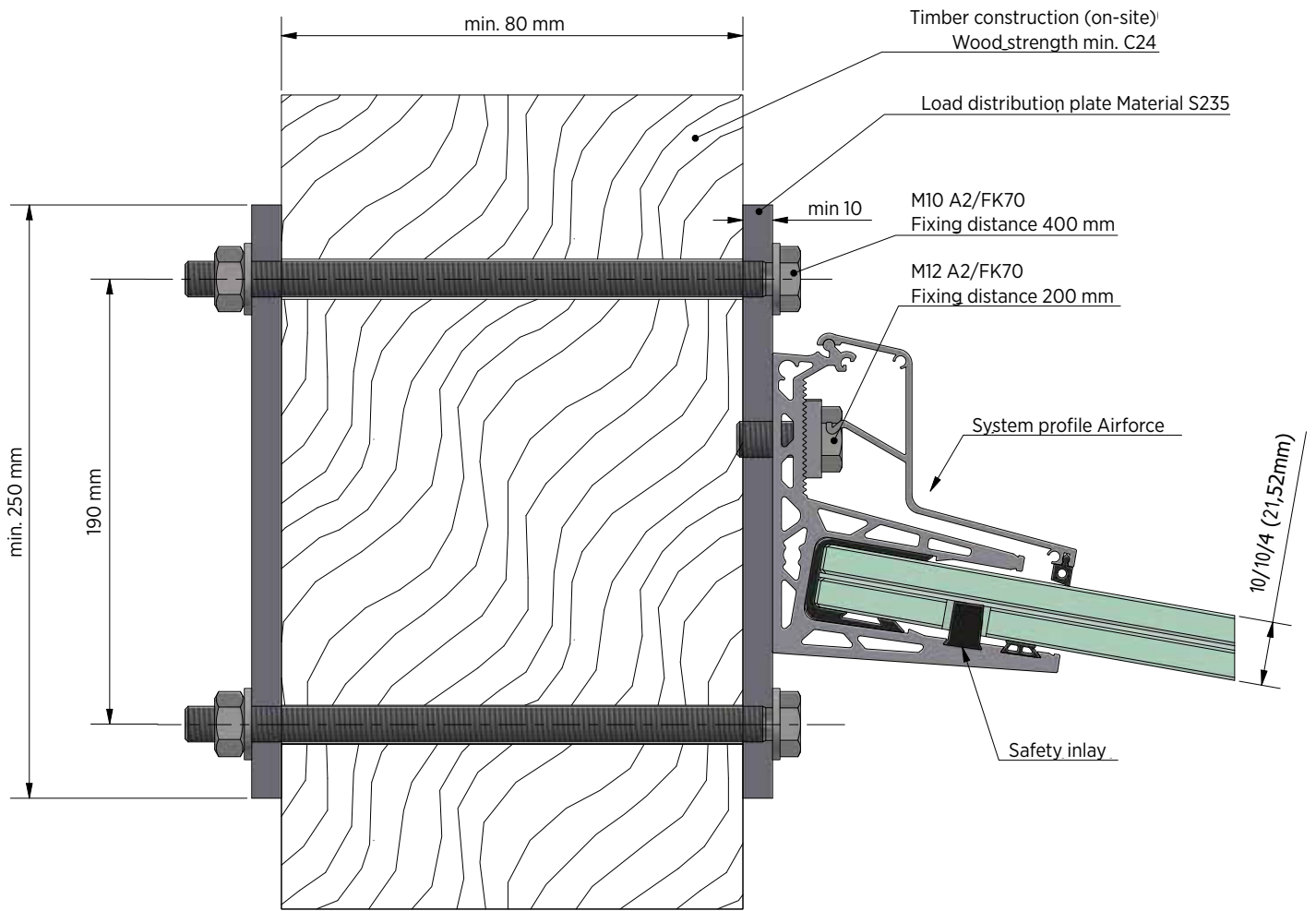


Model 9004	AISI 316 (exterior)	AISI 304
	Art. no.	Art. no.
	17.9004.012.30	17.9004.012.20



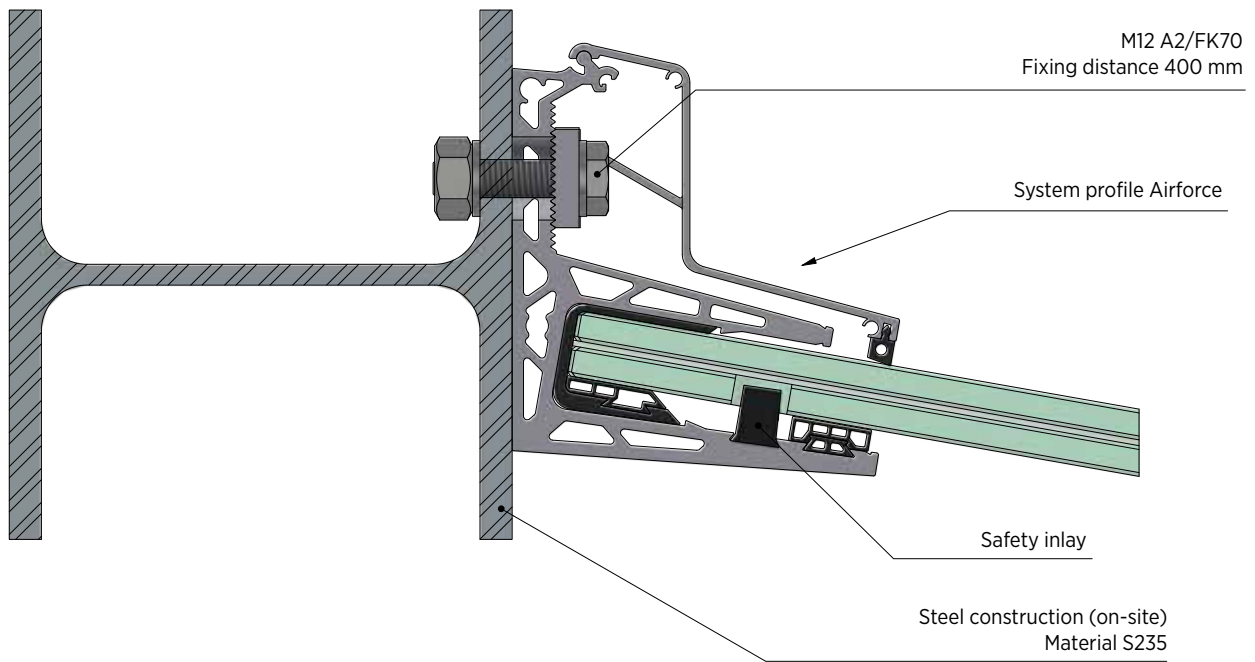
# AIRFORCE | MOUNTING ON WOOD

## Connection to wood for 10/10/4 (21.52) glass



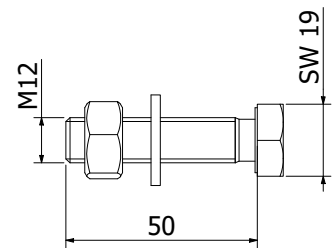
# AIRFORCE | MOUNTING ON STEEL

## Connection to steel



## Mounting set on steel M12x50mm

| one anchor is required per 400mm  
| Sales unit: 4 pieces



Model 9003	AISI 316 (exterior)	AISI 304
	Art. no.	Art. no.
	17.9003.012.30	17.9003.012.20

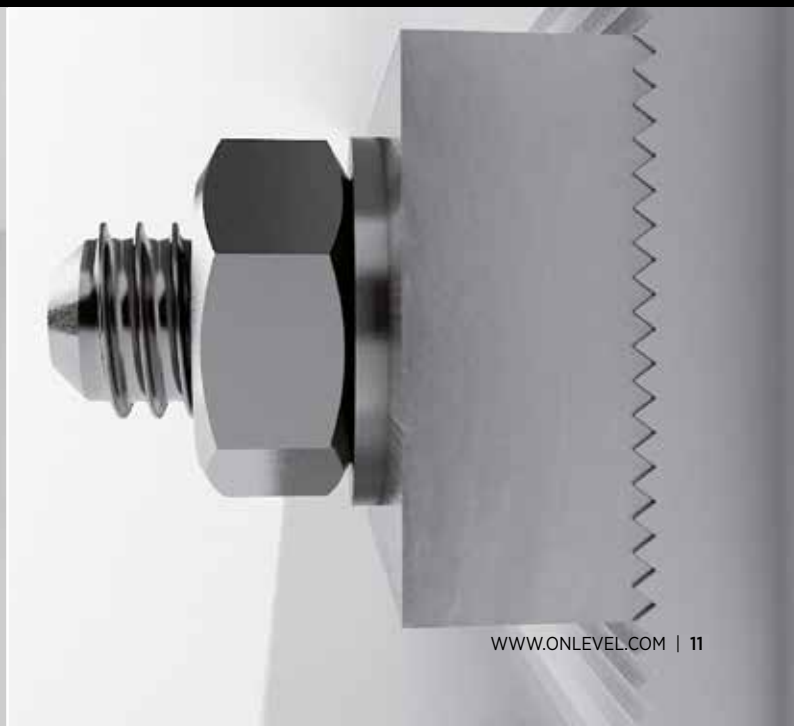
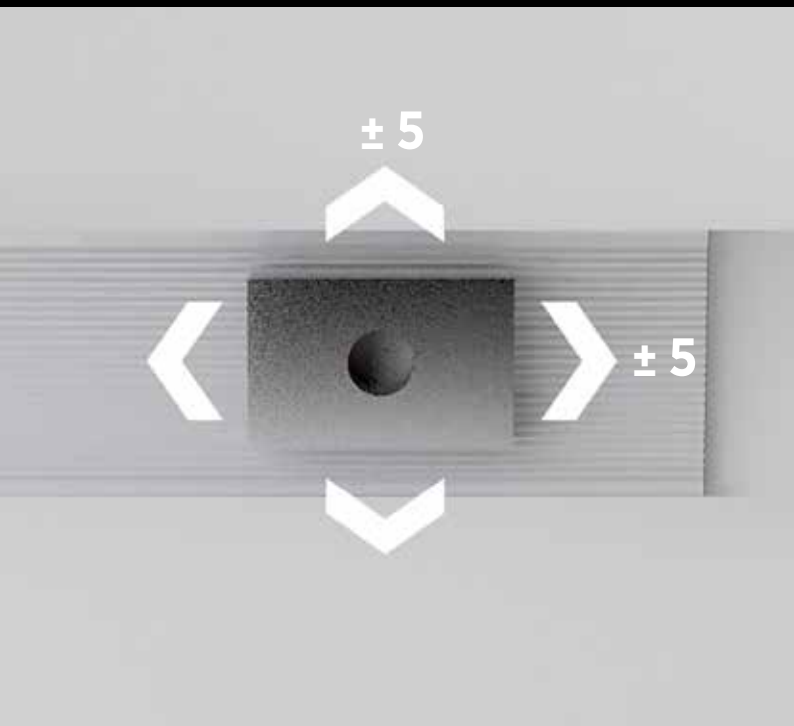
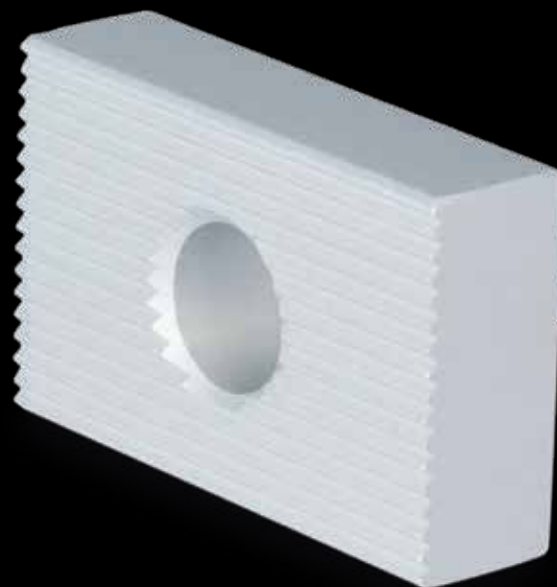
# HEIGHT ADJUSTABLE MOUNTING BLOCK.

## The Steady and Flexible Body.

We wouldn't be ONLEVEL, if we didn't work permanently for the further development of our products: We have enabled a more significant compensation of construction and mounting tolerances by taking optimum advantage of the opportunities provided by aluminium extrusions.

Therefore, the drill hole for fixing our glass support profiles does not need to be completely accurate any more, but has a tolerance of approx. 5 mm in each direction. In order to guarantee that the glass balustrade remains in place, the mounting block is equipped with teeth. In this way, a force-locked connection is achieved. Therefore always pay attention to the logo indicating the suitable application types.

Mounting block is included in the AIRFORCE set



# AIRFORCE | ACCESSOIRES

## Mortar FIS SB 390 S



| For chemical anchor bonding  
| Including 2 mixers  
| Sales unit: 1 piece

Model 3000	
	Art. no.
	91.3000.010.00

## Dispensing device



| For use with mortar (91.3000.010.00)  
| Sales unit: 1 piece



Model 3002	Plastic
	Art. no.
Gun	91.3002.010.00
Mixer	91.3002.011.00

## Airpump



| For blowing out the drill holes  
| Sales unit: 1 piece



Model 3001	Plastic
	Art. no.
	91.3001.010.00

## Anchor hole brush

| For cleaning the drill holes  
| Ø 12 mm  
| Sales unit: 1 piece



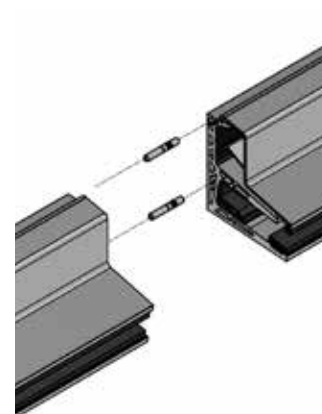
Model 3002	Plastic
	Art. no.
	91.3002.012.00

## Extension pin



- | Infinite extensions?  
No problem, we remove the end cap for you
- | Length: 40 mm
- | Diameter Ø 6 mm
- | Sales unit: 8 pieces

<b>Model 7001</b>	<b>V4A (interior &amp; exterior)</b>
Art. no.	
90.7001.640.31	



## Screw for mounting the end cap



- | Countersunk head screw with Torx ISO 14587 Ø3.9x16mm, V2A
- | is required if the length of the profile is shortened

<b>Modell 1240</b>	<b>V2A (Exterior)</b>
Art. no.	
91.1240.416.20	

## Cutting Airforce



Art. no.	
95.0000.019.02	



**AIRFORCE | OUTDOOR USE**











**ONLEVEL**

**ONLEVEL Ltd.** | Units 7, Alexandria Court | Alexandria Drive  
Ashton Commerce Park | Ashton-under-Lyne | Lancashire OL7 0QN | United Kingdom  
T +44 0161 804 9500 | F +44 0161 804 9505 | [info@onlevel-uk.com](mailto:info@onlevel-uk.com) | [www.onlevel.com](http://www.onlevel.com)