

**ONLEVEL**

**ONLY  
YOU**

ANY COLOUR, ANY SIZE  
WITHIN 15 DAYS

**SKYFORCE**  
FRENCH BALCONY



Different finishes

Quick and simple mounting

Available for different glass thicknesses, pre-assembled as a set

# SKYFORCE

---

## FRENCH BALCONY

- 06** HOW TO ORDER
- 08** OUR COLOUR SELECTION
- 10** SKYFORCE SLIM
- 14** SKYFORCE SIDE
- 16** SKYFORCE TOP
- 20** SKYFORCE T
- 22** SKYFORCE SOUND SHIELD
- 24** SKYFORCE INSTALLATION EXAMPLES
- 38** EDGE PROTECTION AND ACCESSORIES
- 40** SKYFORCE FORTRESS

# SKYFORCE

The fields of application as per country-specific safety rules

The fall protection can be easily and flawlessly installed behind the shutter guide rails with simple tools and a few simple steps. As a matter of course, SKY**FORCE** is also compatible with any window profile. Thanks to the unrivalled and predestined Slide & Click Technique, the system can be mounted directly onto the window frame or masonry. Best of all, you can cover all glass thicknesses, heights and widths with only one profile.

And what about the design? Already dreamed about it? Hold your breath and count to ten, then you will feel the earth quake and all you have to do is listen to your heart – how it sounds when the sky falls down and everything around you collapses, but only SKY**FORCE** stands tall to fight side by side with you. And all this with such a stylish and classy appearance.

We start afresh with the colour, even if we´re a thousand miles and poles apart – where different worlds crash into each other and the days are covered in shade. Our new range is available in all RAL colours.

## Essential Features

- | Easy ordering thanks to packaging sets of 500, 700, 900, 1000, 1100, and 1200 mm
- | ON**LEVEL** Prefabricated System  
Installation advantage of up to 30 minutes per set.
- | Storage lengths of 5000 mm available
- | The only system with a drainage option as a protection against mould and breakage
- | Nearly tool-free installation
- | Colour design possible according to RAL/NCS
- | Suitable for plastic, aluminium, wooden, and metal frames
- | General Building Inspection Test Certificate (AbP)
- | Depending on the on-site situation, the glass can be installed either from the inside or the outside.



VERROTEC

Prüfstelle RFF14



TESTED  
according to  
BS6180



Essais réalisés selon le Cahier  
3034 - NF P 01-013 - DTU 39

SIA 261

## Tested systems

We from ON**LEVEL** strive to test your individual window/profile system. The huge variety of profile systems and frame designs throughout Europe, however, makes this task very hard for us. That´s why on your profile system, we have listed the profile criteria for a SKY**FORCE** installation according to the General Building Inspection Test Certificate for you.

If you take these criteria into account, an additional inspection will not be required – always provided that the window has also been installed as per fall protection requirements using our tested fixing anchors.

For an overview of the up-to-date tests, please see the supplementary sheet or get in touch with us per e-mail: [info@onlevel.com](mailto:info@onlevel.com).

SKY**FORCE** is a registered trade mark from ON**LEVEL**.



WEBSEITE  
**ONLEVEL.COM**



# SKYFORCE | PRODUCT ORDER

How to choose your perfect SKYFORCE system.

No more looking for the blue thread:

## 01 Check the width of your window.

Example: Your window is 1500 mm wide. [Go to the "up to 1700 mm" column.](#)

## 02 Note down your glass thickness.

Example: [Your glass is "17.52 mm" thick.](#)

## 03 Go to our product selection.

Example: SKYFORCE Top, SKYFORCE Side, SKYFORCE Slim, SKYFORCE T

## 04 Mind the glass thickness.

Example: "French balcony, 2-part complete set, top mount"; [rubber set for: 17.52mm](#)

## 05 Look for the desired height and the corresponding article number.

Example: height 1000 mm, [art. no.: 16.1010.016.xx](#)

## 06 Now choose your preferred colour.

Example: "aluminium plain anodised (E6/EV1)" with the last digits **.11**. Therefore, your [art. no.](#) is **16.1010.016.11**

## 07 Choose your preferred fixing option.

Example: onto the [plastic frame](#)

## 08 Choose the suitable anchor with the right length and the right quantity.


Example: anchor: fixing screw, self-tapping for plastic frames with steel core & aluminium frame, top mount, length 95 mm, sales unit 12 pieces: [art. no. 16.9005.609.81](#)

## 09 All that is left to choose now is the edge protection.

Example: edge protection, self-adhesive, aluminium plain anodised (E6/EV1): 20 mm wide, for 16.76 - 17.52 mm, [art. no.: 11.2111.201.11](#)

## 10 Done! Hang on: Do you still need tools?

Example: SKYFORCE mounting tool, art. no.: 90.0100.105.00

 Please always consider the static requirements.

Glass width up to	Glass thickness	Glass height
1200 mm	10.76 mm	800 - 1200 mm
1400 mm	12.76 mm	500 - 1200 mm
1700 mm	17.52 mm	500 - 1200 mm
3000 mm	21.52 mm	300 - 1200 mm



## Do you like things to be easy?

Why not directly use our SKYFORCE Configurator on our website?

- 01 Choose your required SKYFORCE.**  
Example: [side mount](#) or [front mount](#)
- 02 Choose your dimensions and quantity.**  
Example: [10](#) pieces, [800 mm](#) wide, [1000 mm](#) high
- 03 Choose your surface finish.**  
Example: [aluminium plain anodised \(E6/EV1\)](#)
- 04 Choose your fixing option and screws.**  
Example: [wood](#), [60 mm screws](#)
- 05 Choose your edge protection, if needed.**  
Example: [aluminium plain anodised \(E6/EV1\)](#)
- 06 Add everything to your shopping cart and get your overview.**  
Send your order – done!

# SKYFORCE | STANDARD COLOURS

## Surface finish code for your SKYFORCE order

.10	Aluminium, mill finish	.16	RAL structured matt
.11	Aluminium, anodised	.18	RAL matt
.13	RAL glossy	.19	<b>ARMOR RAL</b> (pre-ionised and powder-coated for increased stress, e. g. near the coast)

### EXAMPLE

You order your 16.1009.010.**16** profile and receive it with “structured matt” surface finish and a colour of your choice. If you’d like to learn more about our colour structures, you can order one of our colour charts – art. no.: 85.7003.001.00 at [info@onlevel.com](mailto:info@onlevel.com).

### ARMOR RAL

Wherever you are, SKYFORCE will always be with you, protecting you in a loving embrace which keeps all evil away from you. Take SKYFORCE by the hand and you’ll work through this together: in any wind and weather, and for buildings in coastal areas.

As where the sea shows its powerful side is where surfaces are most relentlessly attacked.

The damage caused by the increased formation of corrosion can still be noted even deep into the interior of the country. Such damage can also occur in climatic spas, swimming pools, and on ships.

The code or the last digit **.19** is for your safety!

## Our colour selection



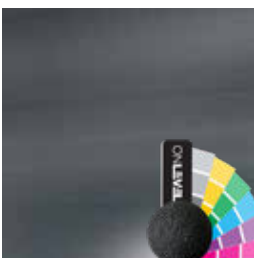
.10 Aluminium, mill finish



.11 Aluminium, anodised



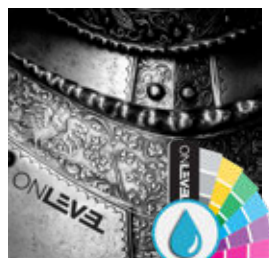
.13 RAL glossy



.16 RAL structured matt



.18 RAL matt



.19 **ARMOR RAL**

**YOUR PREFERRED COLOUR?** We will of course deliver your desired RAL or NCS colour.

Onlevel charges a set-up surcharge for RAL colors for quantities < 5 pieces per article, per order, per delivery.

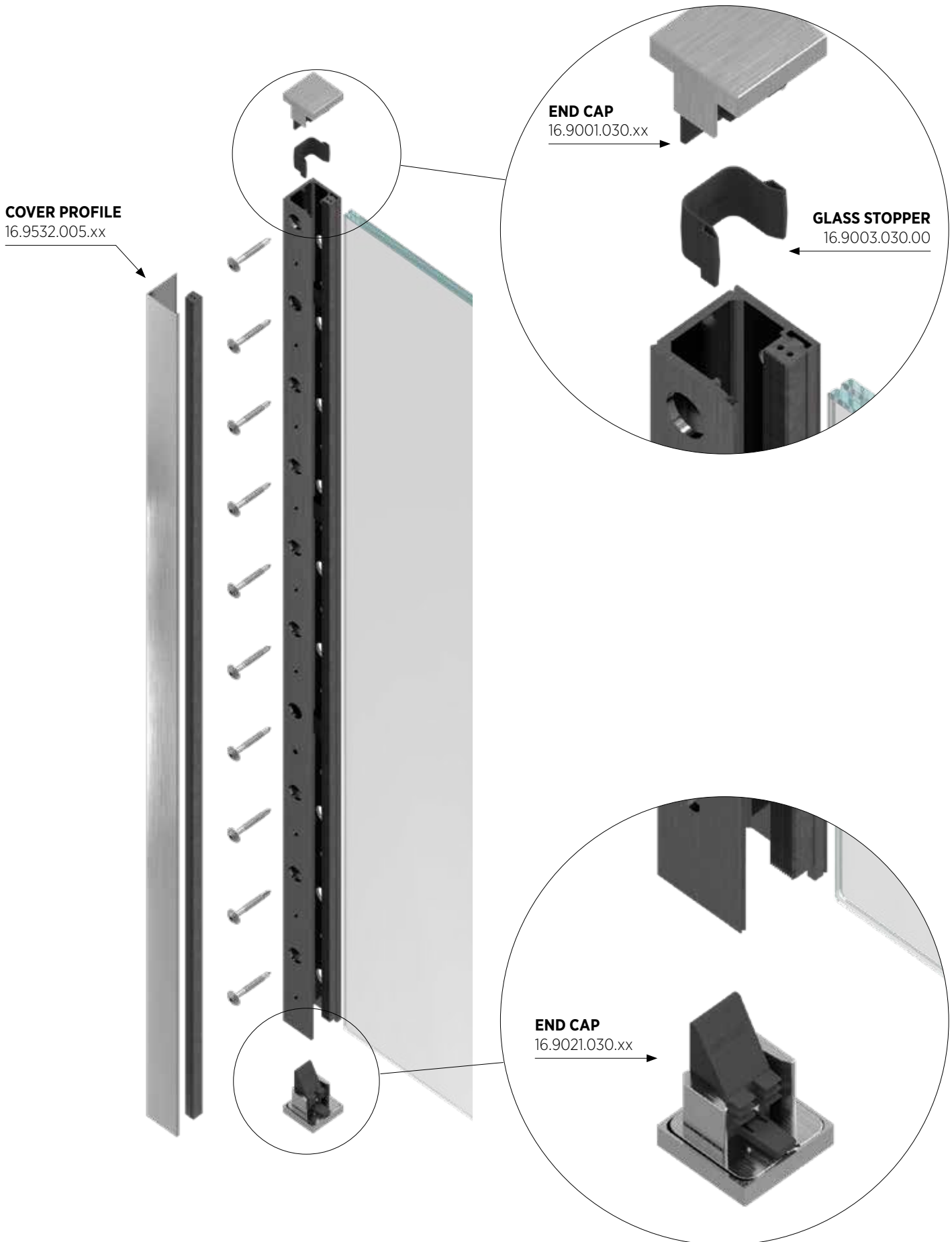




YOUTUBE  
**ONLEVEL VIDEOS**



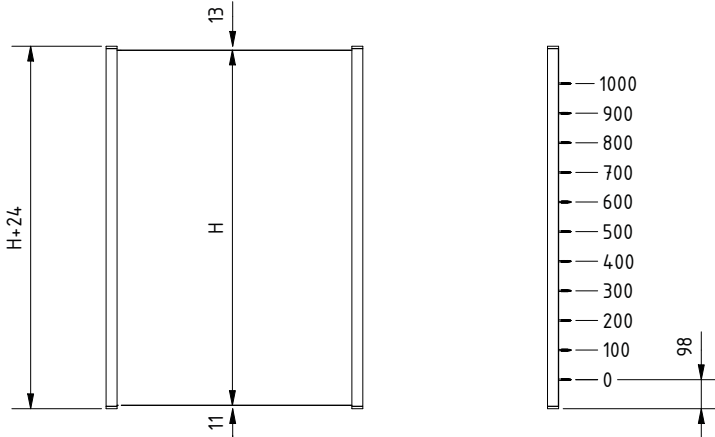
# SKYFORCE SLIM, TOP MOUNT, 2-SIDED COVER



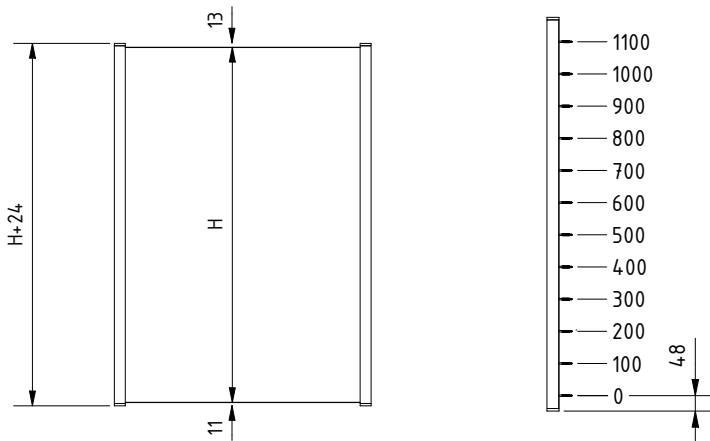
# SKYFORCE SLIM, TOP MOUNT, 2-SIDED COVER

## Mounting distances for different lengths

Installation from the outside (façade side)



Installation from the inside (room side)



## Quick & easy



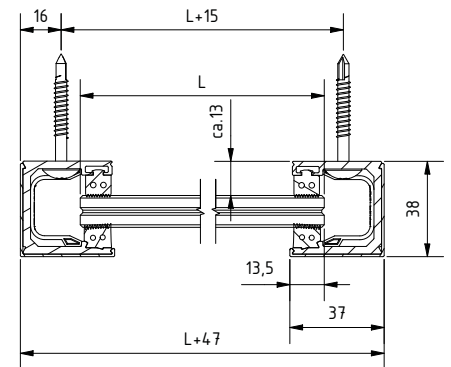
For further helpful information, please see our **ONLEVEL** website.

Here you will find explanatory and installation videos, photos and downloads, as well as a Configurator to help you with the glass calculations.

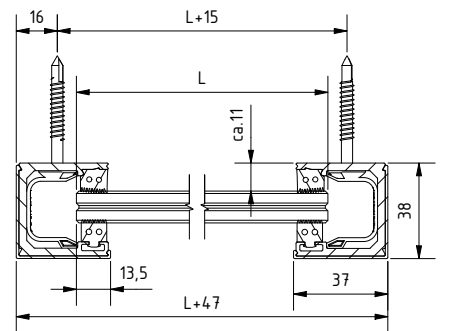
ONLEVEL  
website

## Glass dimensions

Glass installation from the outside (façade side)



Glass installation from the inside (room side)



**i** Please keep a distance of at least 5 mm to the wall to clip on the cover after mounting.

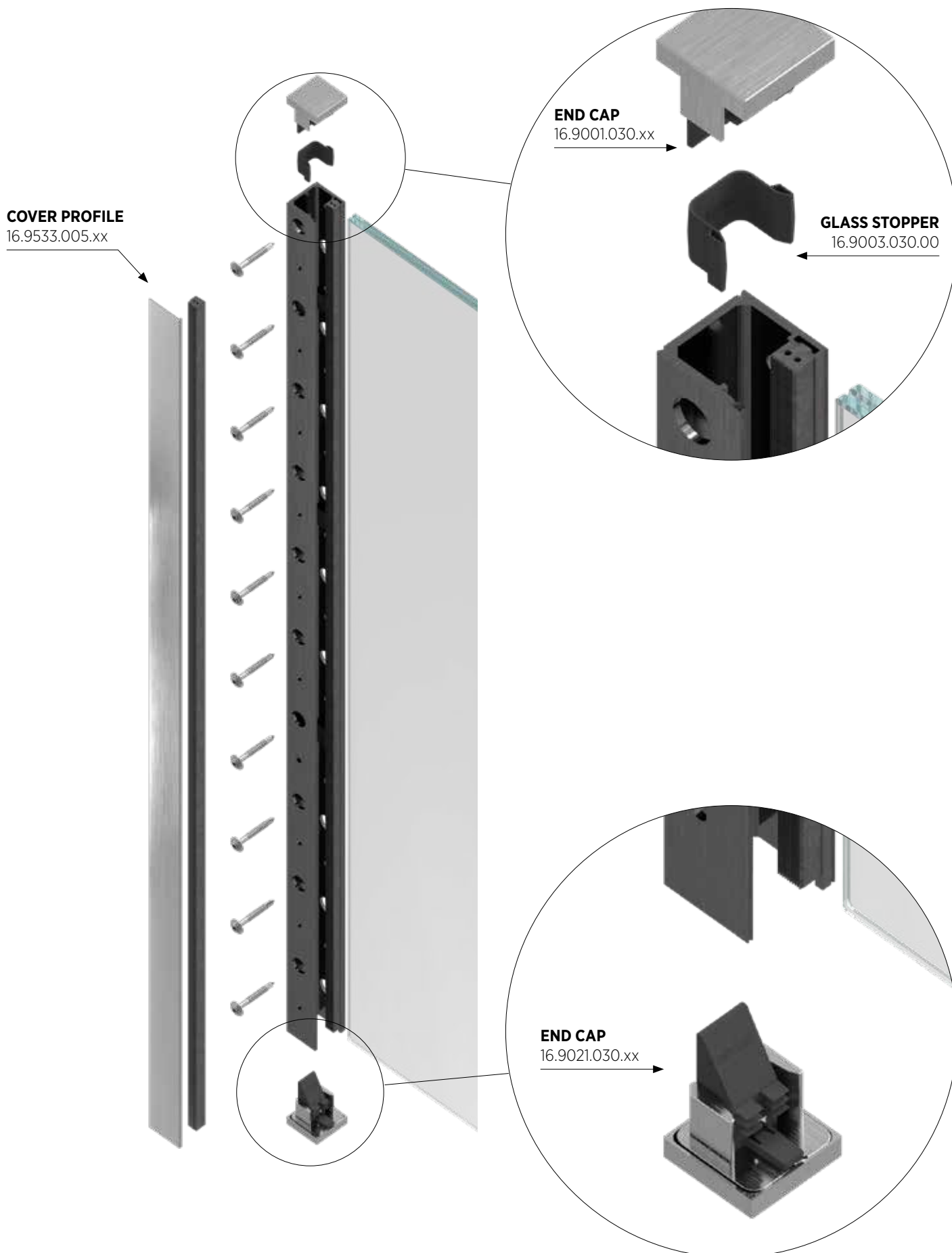
## French balcony, 2-part complete set, 2-sided



- | SKYFORCE Slim now with a reduced width from 50 mm to 37 mm, which makes Slim especially suitable for narrow window frames
- | Glass mounting can optionally be done either from outside or from inside.
- | Heights of 500, 700, 900, 1000, 1100 and 1200 mm available in stock.
- | For edge protection, see page 36.
- | Screws not included. For suitable fixing options, see the installation examples from page 24.

Glass height	500 mm	700 mm	900 mm	1000 mm	1100 mm	1200 mm
Rubber set for	Art. no.	Art. no.	Art. no.	Art. no.	Art. no.	Art. no.
10.76 - 12.76 mm	16.3005.011.xx	16.3007.011.xx	16.3009.011.xx	16.3010.011.xx	16.3011.011.xx	16.3012.011.xx
17.52 - 21.52 mm	16.3005.018.xx	16.3007.018.xx	16.3009.018.xx	16.3010.018.xx	16.3011.018.xx	16.3012.018.xx

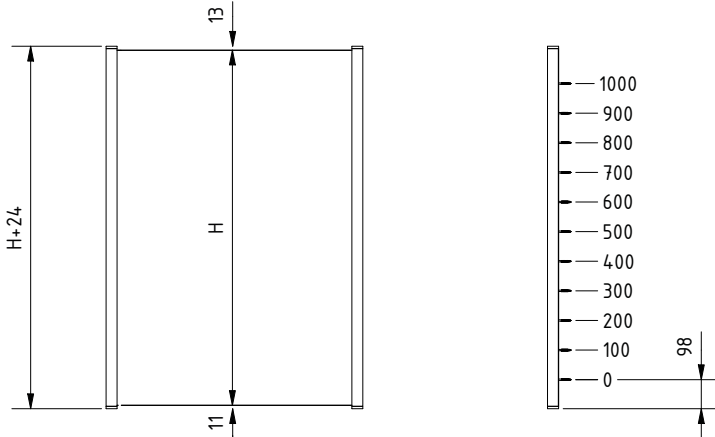
# SKYFORCE SLIM, TOP MOUNT, 1-SIDED COVER



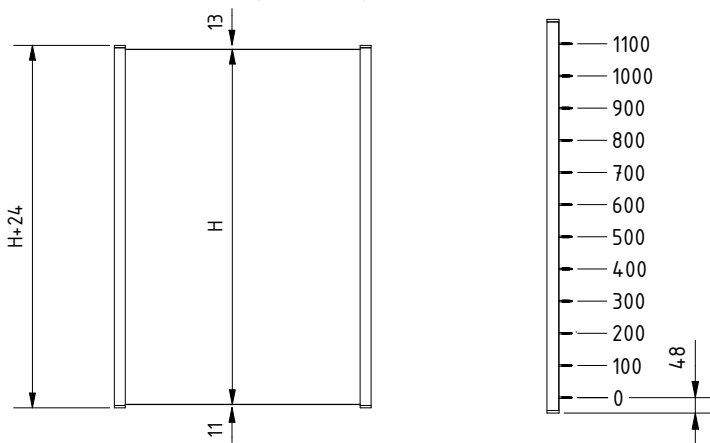
# SKYFORCE SLIM, TOP MOUNT, 1-SIDED COVER

## Mounting distances for different lengths

Installation from the outside (façade side)

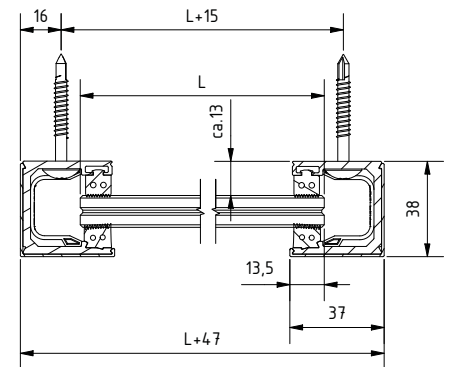


Installation from the inside (room side)

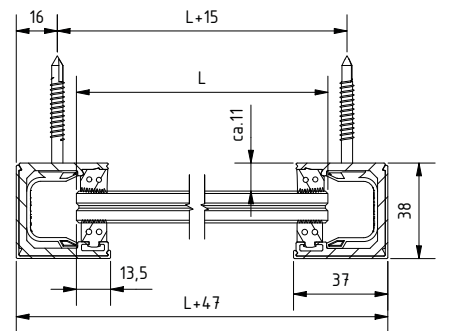


## Glass dimensions

Glass installation from the outside (façade side)



Glass installation from the inside (room side)



**i** Please keep a distance of at least 5 mm to the wall to clip on the cover after mounting.

## Quick & easy



For further helpful information, please see our **ONLEVEL** website.

Here you will find explanatory and installation videos, photos and downloads, as well as a Configurator to help you with the glass calculations.

ONLEVEL  
Website

## French balcony, 2-part complete set, 1-sided

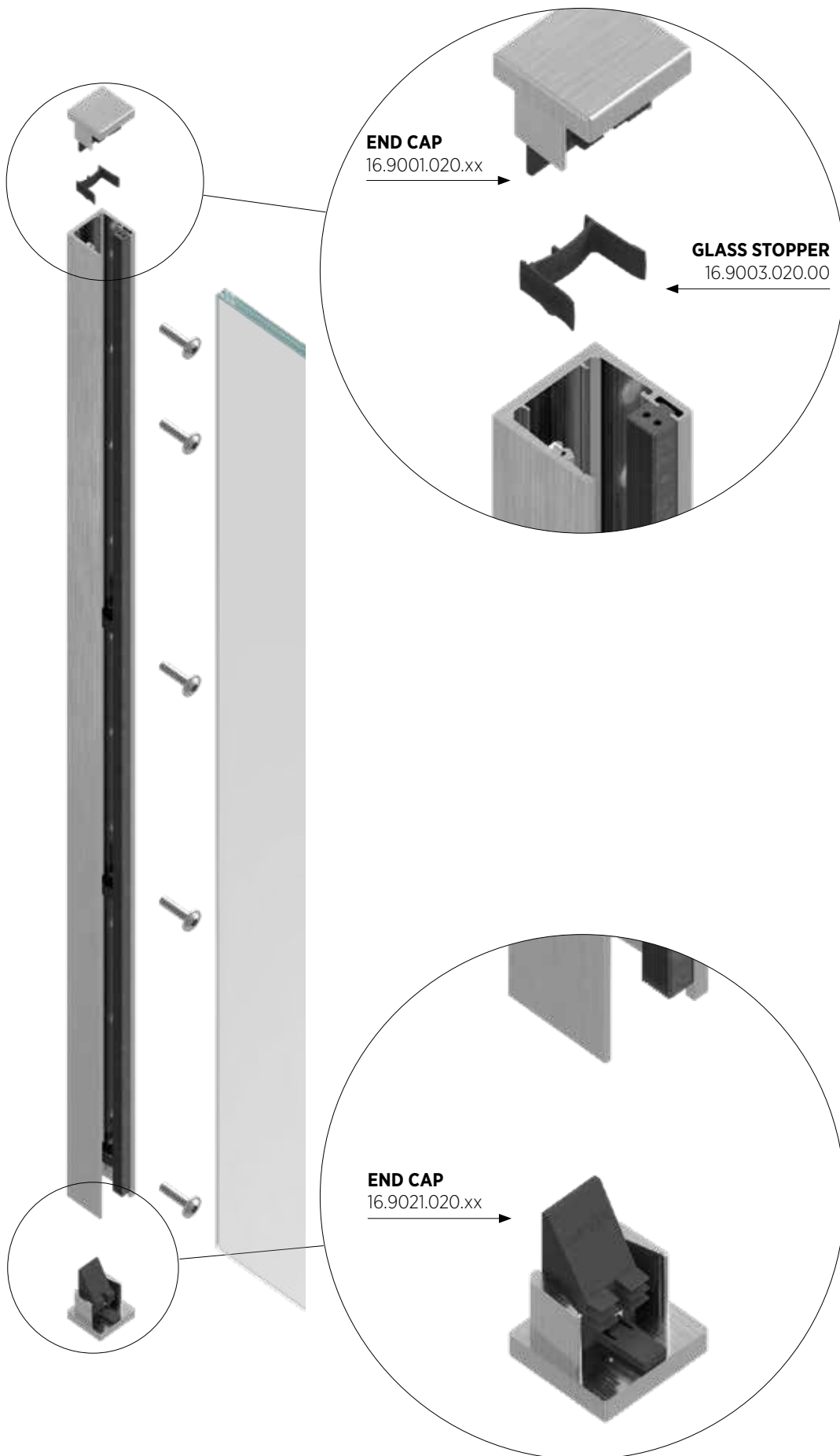


- | SKYFORCE Slim now with a reduced width from 50 mm to 37 mm, which makes Slim especially suitable for narrow window frames.
- | Glass mounting can optionally be done either from outside or from inside.
- | Heights of 500, 700, 900, 1000, 1100 and 1200 mm available in stock.
- | For edge protection, see page 36.
- | Screws not included. For suitable fixing options, see the installation examples from page 24.

Glass height	500 mm	700 mm	900 mm	1000 mm	1100 mm	1200 mm
Rubber set for	Art. no.	Art. no.	Art. no.	Art. no.	Art. no.	Art. no.
10.76 - 12.76 mm	16.3105.011.xx	16.3107.011.xx	16.3109.011.xx	16.3110.011.xx	16.3111.011.xx	16.3112.011.xx
17.52 - 21.52 mm	16.3105.018.xx	16.3107.018.xx	16.3109.018.xx	16.3110.018.xx	16.3111.018.xx	16.3112.018.xx

# SKYFORCE, SIDE MOUNT

**GLASS SEALING STRIP,  
FALL SIDE**  
16.910x.250.60



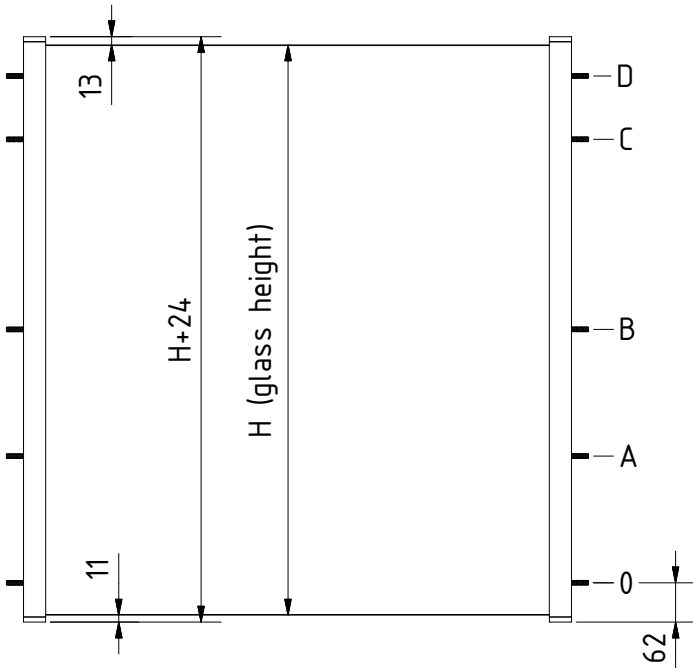
**END CAP**  
16.9001.020.xx

**GLASS STOPPER**  
16.9003.020.00

**END CAP**  
16.9021.020.xx

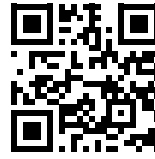
# SKYFORCE, SIDE MOUNT

## Mounting distances for different lengths



Glass height (H)	500 mm	700 mm	900 mm	1000 mm	1100 mm	1200 mm
A	100 mm	100 mm	200 mm	200 mm	300 mm	300 mm
B	200 mm	300 mm	400 mm	500 mm	600 mm	600 mm
C	300 mm	500 mm	700 mm	800 mm	900 mm	1000 mm
D	400 mm	600 mm	800 mm	900 mm	1000 mm	1100 mm

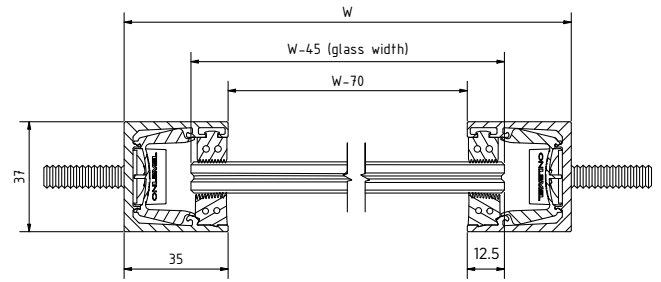
## Quick & easy



ONLEVEL  
website

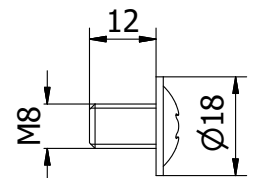
For further helpful information, please see our ONLEVEL website. Here you will find explanatory and installation videos, photos and downloads, as well as a Configurator to help you with the glass calculations.

## Glass dimensions



## Fixing anchor for aluminum and steel frames, Side Mount

- | Finish exterior application: V4A (exterior)
- | Sales unit: 10 pieces



Model 1190	V4A (exterior)
	Art. no.
	91.1190.812.30

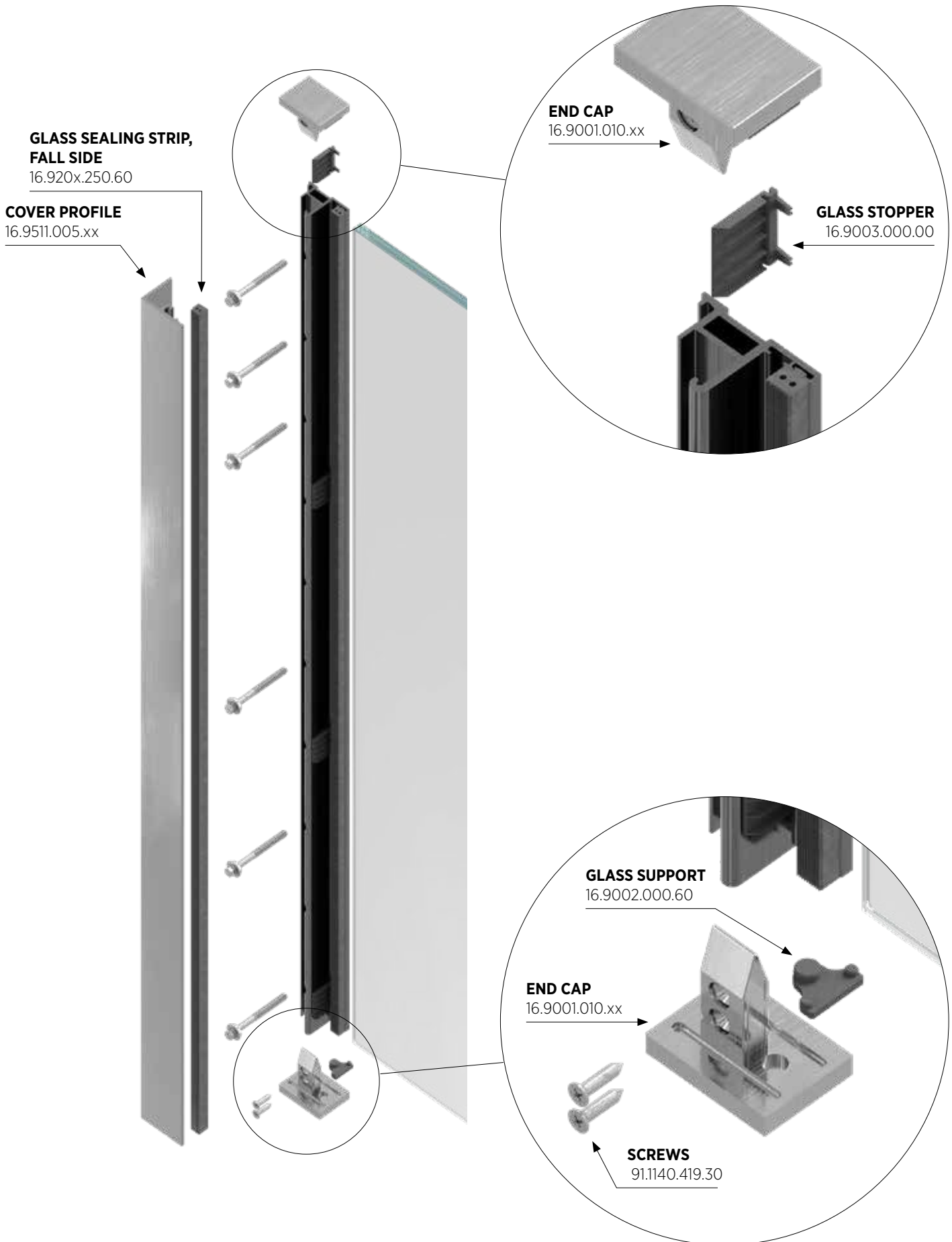
## French balcony, 2-part complete set, installation into the jamb



- | For edge protection, see page 36.
- | Screws not included. For suitable fixing options, see the installation examples from page 22.

Glass height	500 mm	700 mm	900 mm	1000 mm	1100 mm	1200 mm
Rubber set for	Art. no.	Art. no.	Art. no.	Art. no.	Art. no.	Art. no.
10.76 - 12.76 mm	16.2005.011.xx	16.2007.011.xx	16.2009.011.xx	16.2010.011.xx	16.2011.011.xx	16.2012.011.xx
17.52 - 21.52 mm	16.2005.018.xx	16.2007.018.xx	16.2009.018.xx	16.2010.018.xx	16.2011.018.xx	16.2012.018.xx

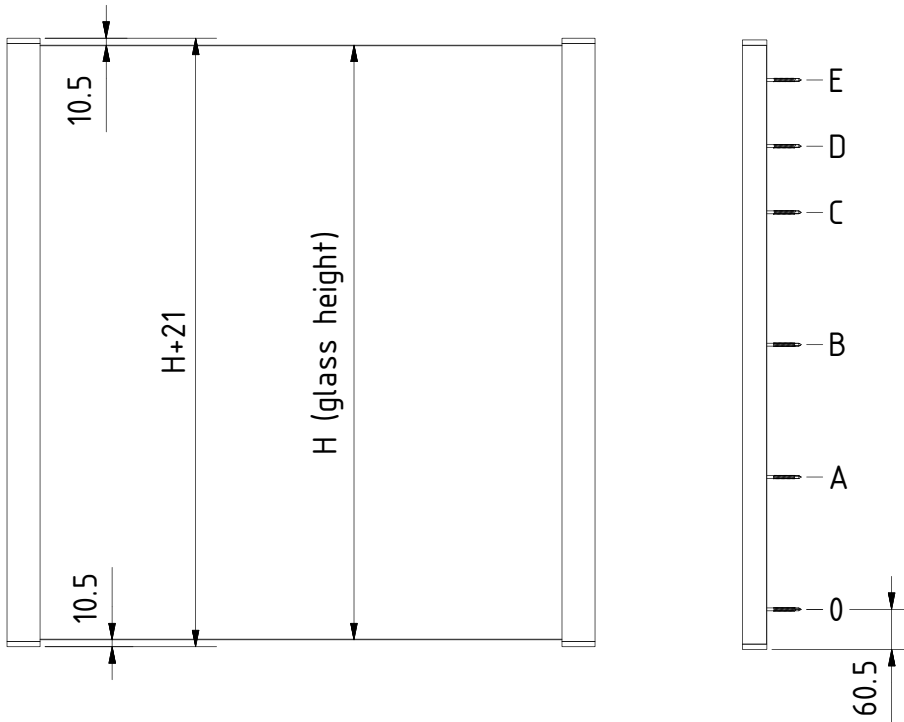
# SKYFORCE, TOP MOUNT





# SKYFORCE, TOP MOUNT

## Mounting distances for different lengths



Glass height (H)	500 mm	700 mm	900 mm	1000 mm	1100 mm	1200 mm
A	100 mm	200 mm	200 mm	200 mm	200 mm	300 mm
B	200 mm	400 mm	400 mm	400 mm	500 mm	600 mm
C	300 mm	500 mm	600 mm	700 mm	800 mm	900 mm
D	400 mm	600 mm	700 mm	800 mm	900 mm	1000 mm
E	-	-	800 mm	900 mm	1000 mm	1100 mm

### Quick & easy



ONLEVEL  
website

For further helpful information, please see our **ONLEVEL** website.

Here you will find explanatory and installation videos, photos and downloads, as well as a Configurator to help you with the glass calculations.

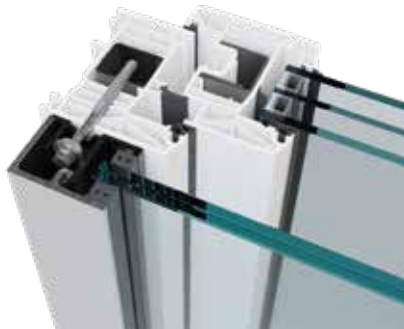
### SKYFORCE TOP in the LogiKal software



# SKYFORCE, TOP MOUNT

## French balcony, 2-part complete set, top mount

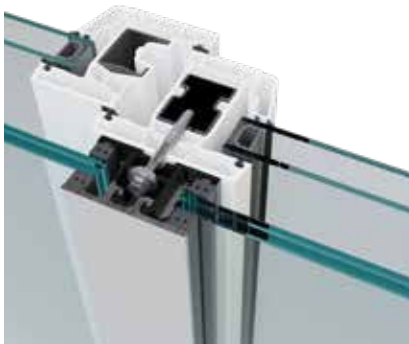
| For edge protection, see page 36.  
| Screws not included. For suitable fixing options, see the installation examples from page 22.



Glass height	500 mm	700 mm	900 mm	1000 mm	1100 mm	1200 mm
Rubber set for	Art. no.	Art. no.	Art. no.	Art. no.	Art. no.	Art. no.
10.76 - 12.76 mm	16.1005.010.xx	16.1007.010.xx	16.1009.010.xx	16.1010.010.xx	16.1011.010.xx	16.1012.010.xx
17.52 - 21.52 mm	16.1005.020.xx	16.1007.020.xx	16.1009.020.xx	16.1010.020.xx	16.1011.020.xx	16.1012.020.xx

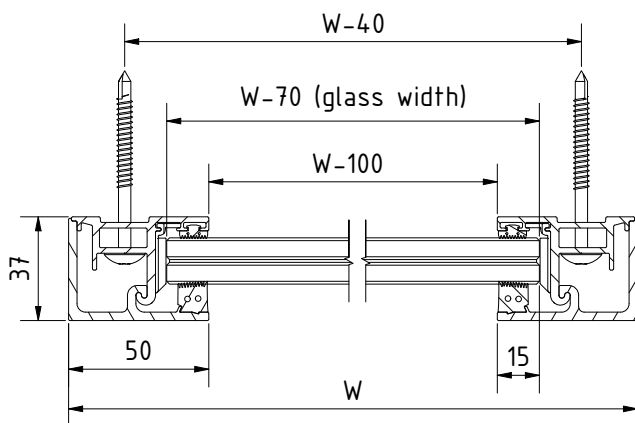
## French balcony, centrepiece, top mount

| For edge protection, see page 36.  
| Screws not included. For suitable fixing options, see the installation examples from page 22.

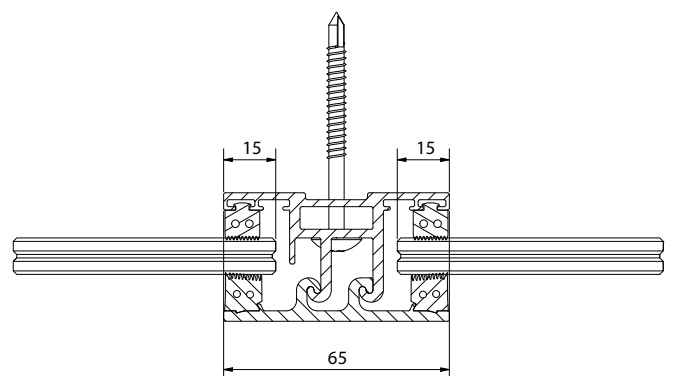


Glass height	500 mm	700 mm	900 mm	1000 mm	1100 mm	1200 mm
Rubber set for	Art. no.	Art. no.	Art. no.	Art. no.	Art. no.	Art. no.
10.76 - 12.76 mm	16.1505.011.xx	16.1507.011.xx	16.1509.011.xx	16.1510.011.xx	16.1511.011.xx	16.1512.011.xx
17.52 - 21.52 mm	16.1505.018.xx	16.1507.018.xx	16.1509.018.xx	16.1510.018.xx	16.1511.018.xx	16.1512.018.xx

## Complete set glass dimensions



## Centrepiece glass dimensions



### .xx Surface code

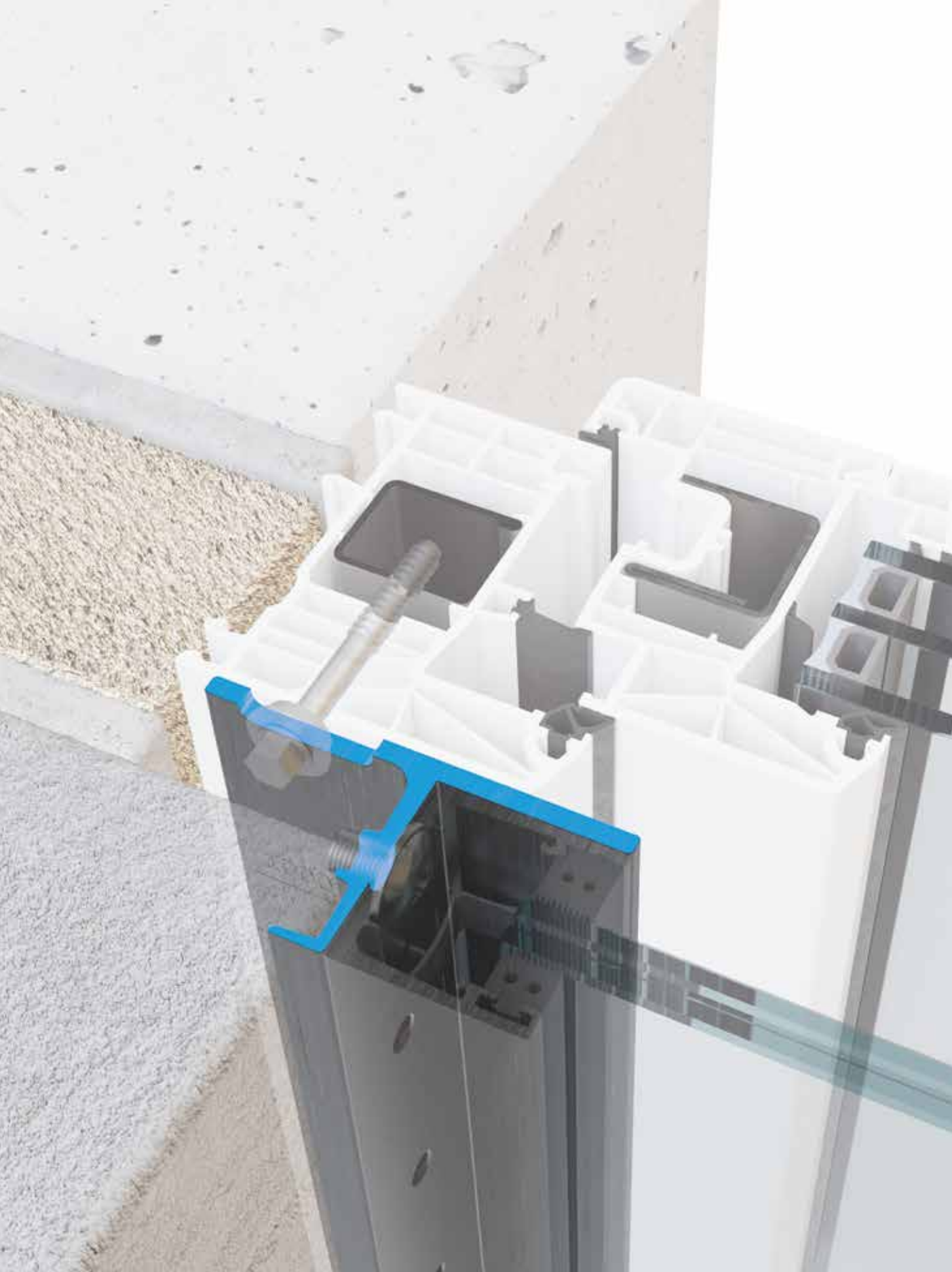
- .10 Aluminium, mill finish
- .11 Aluminium, natural anodised
- .13 RAL glossy
- .16 RAL matt textured
- .18 RAL matt
- .19 **ARMOR RAL** (pre-ionised and powder-coated for increased stress, e. g. near the coast)



SKY**FORCE**  
CONFIGURATOR

SKY**FORCE**, T MOUNT

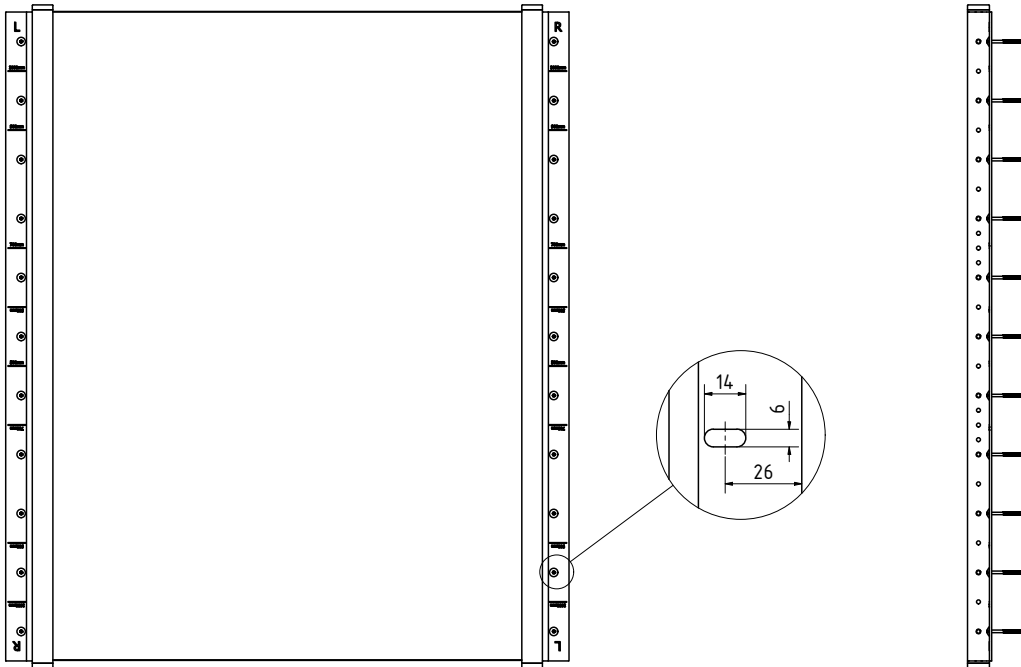
---



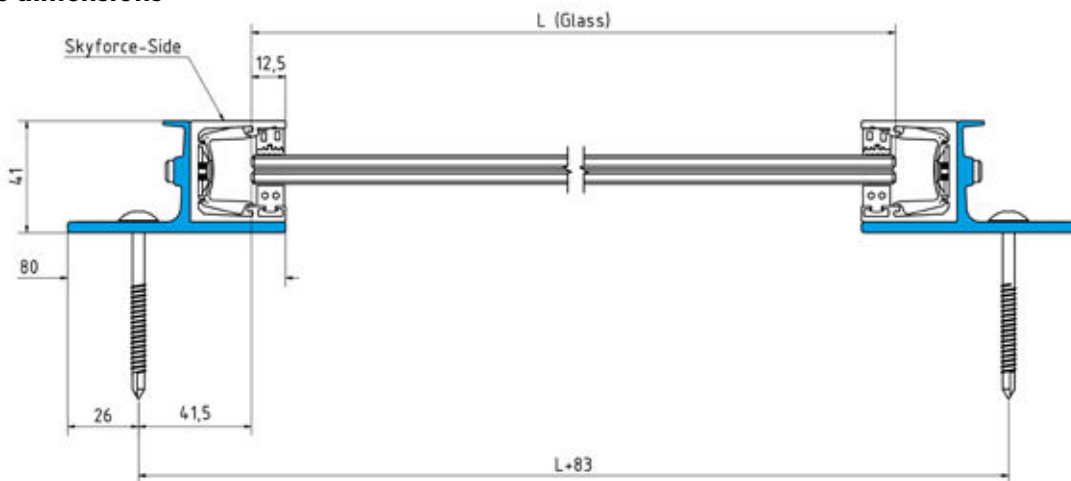
# SKYFORCE, T MOUNT

## Mounting distances for different lengths

For the distance between the screw fixings of SKYFORCE Side into the T profile, see page 17 (SKYFORCE Side).  
The length of the T profiles must be trimmed to the height of the SKYFORCE sets (max. 1100 mm).



## Glass dimensions



## French balcony, T post, top mount



- | To be used together with SKYFORCE Side
- | Fixing screws for attaching SKYFORCE to the T posts are included in delivery.
- | Fixing screws for installation to the window not included.
- | For suitable fixing options, see the installation examples from page 27.

Length	Art. no.
1100 mm	16.9050.011.11

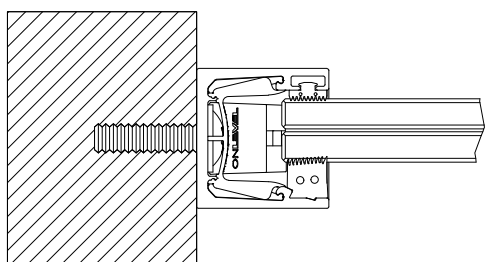
# SKYFORCE SOUND SHIELD | READY-MADE SETS

## French balcony, 2-part complete set, sound insulation



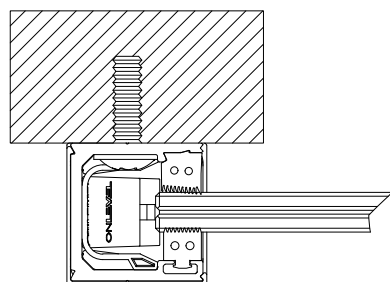
- | F\*\*\*, what a noise! Luckily, there is Soundshield by ONLEVEL.
- | Simply mount it in front of your window and enjoy heavenly quiet.
- | Tailored solutions, inspired by the "Hamburg Noise Guidelines"
- | Special solutions in the sound insulation sector
- | Solution-oriented options for many installation situations
- | Combined solutions with shutter and Venetian blinds also possible

Max. Glass dimensions on request



### SKYFORCE SIDE - SOUND SHIELD

Art. no.	Surface	Glass thickness	Glass height
16.2030.000.10	mill finish	10.76 - 21.52 mm	max. 3000 mm
16.2030.000.11	natural anodised	10.76 - 21.52 mm	max. 3000 mm
16.2030.000.13	RAL glossy	10.76 - 21.52 mm	max. 3000 mm
16.2030.000.16	RAL matt textured	10.76 - 21.52 mm	max. 3000 mm
16.2030.000.18	RAL matt	10.76 - 21.52 mm	max. 3000 mm
16.2030.000.19	Armor RAL	10.76 - 21.52 mm	max. 3000 mm



### SKYFORCE SLIM - SOUND SHIELD

Art. no.	Surface	Glass thickness	Glass height
16.3030.000.10	mill finish	10.76 - 21.52 mm	max. 3000 mm
16.3030.000.11	natural anodised	10.76 - 21.52 mm	max. 3000 mm
16.3030.000.13	RAL glossy	10.76 - 21.52 mm	max. 3000 mm
16.3030.000.16	RAL matt textured	10.76 - 21.52 mm	max. 3000 mm
16.3030.000.18	RAL matt	10.76 - 21.52 mm	max. 3000 mm
16.3030.000.19	Armor RAL	10.76 - 21.52 mm	max. 3000 mm

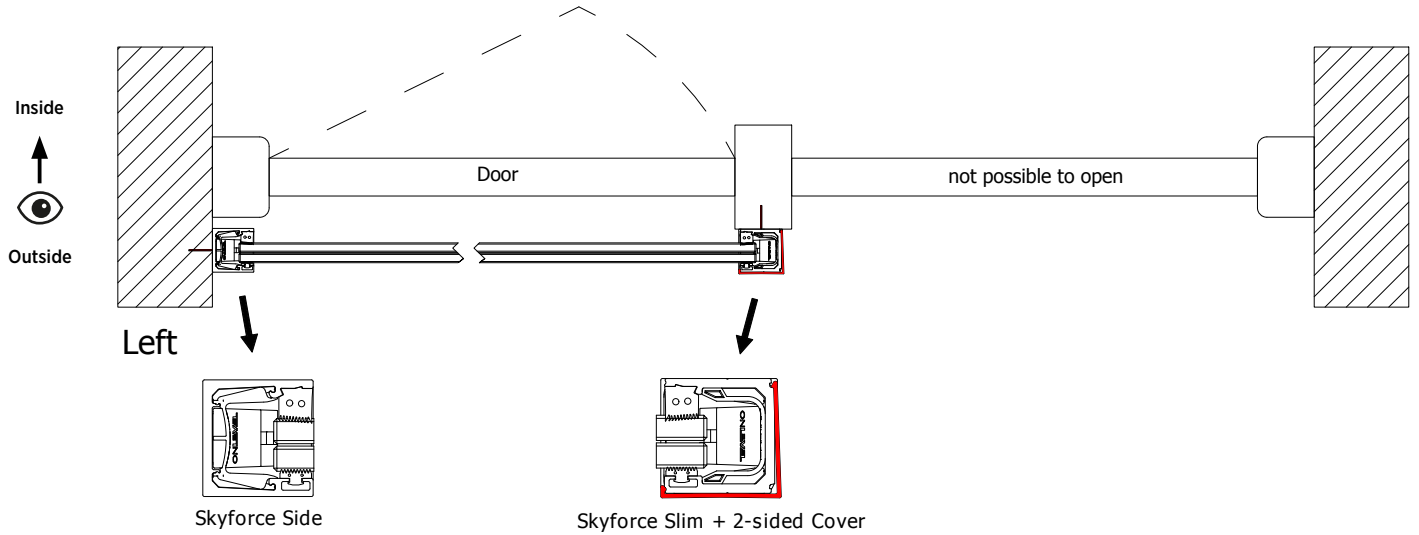
### .xx Surface code

- .10 Aluminium, mill finish
- .11 Aluminium, natural anodised
- .13 RAL glossy
- .16 RAL matt textured
- .18 RAL matt
- .19 **ARMOR RAL** (pre-ionised and powder-coated for increased stress, e. g. near the coast)

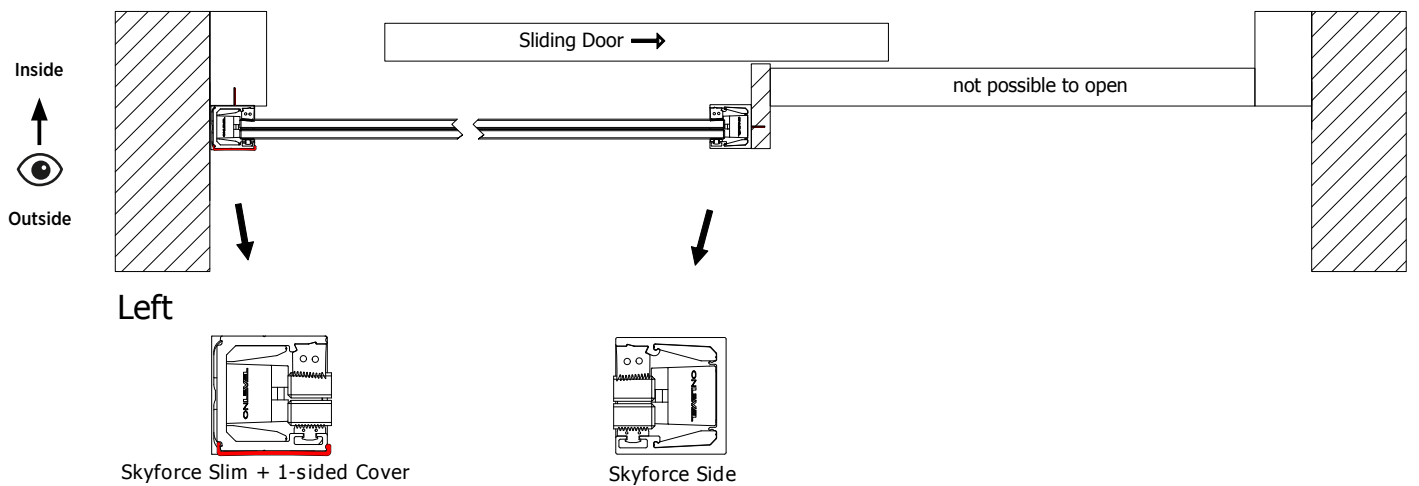
# SKYFORCE MIX SETS

## Mounting example

Of course, you can also combine Skyforce Slim and Skyforce Side and adapt them to your needs. That is what our Mix Sets serve for. Please visit our website [www.onlevel.com](http://www.onlevel.com) and make all necessary configurations for your project, or contact us at [info@onlevel.com](mailto:info@onlevel.com). We are happy to help you.



- | 16.4510.011.10 Skyforce-Side/Slim set
- | Glass 10.76/12.76 mm
- | Height 1000 mm
- | Skyforce Side left
- | Skyforce Slim and two-sided cover right
- | Glass mounting from inside, aluminum mill finish



- | 16.4110.011.10 Skyforce-Side/Slim set
- | Glass 10.76/12.76 mm
- | Height 1000 mm
- | Skyforce Slim and one-sided cover left
- | Skyforce Side right
- | Glass mounting from inside, aluminum mill finish



SKYFORCE  
Configurator

# SKYFORCE

---

## INSTALLATION EXAMPLES

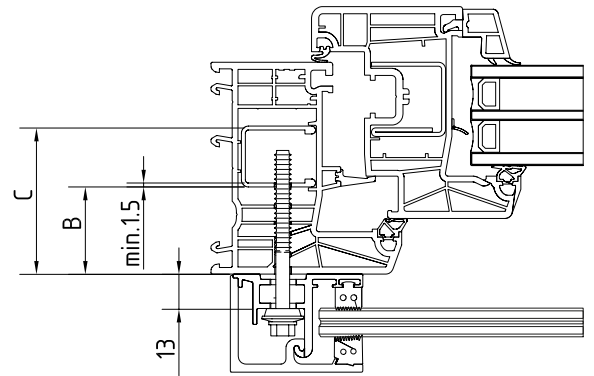
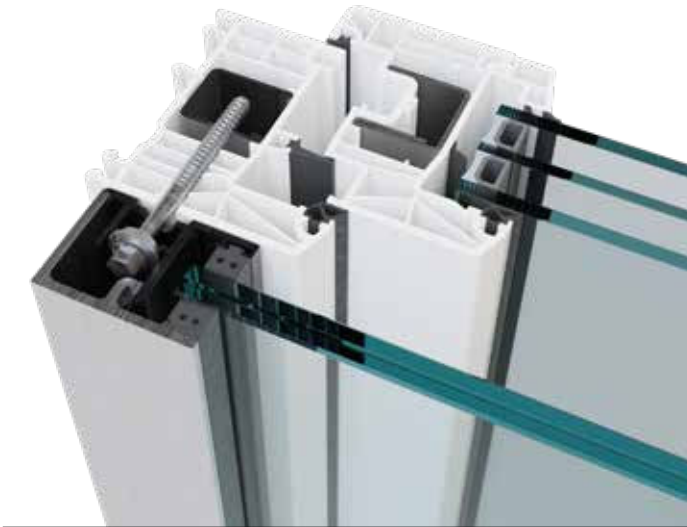
- 26** ONTO THE COVER FRAME – **PLASTIC**
- 28** ONTO THE COVER FRAME – **ALUMINIUM**
- 30** ONTO THE COVER FRAME – **WOOD**
- 32** ONTO THE COVER FRAME – **WOOD-ALUMINIUM**
- 34** SHUTTER GUIDE PROFILE
- 35** ONTO THE COVER FRAME – **OVERLAPPING**
- 36** INSTALLATION ONTO **CONCRETE**
- 37** INSTALLATION ONTO **STONE**



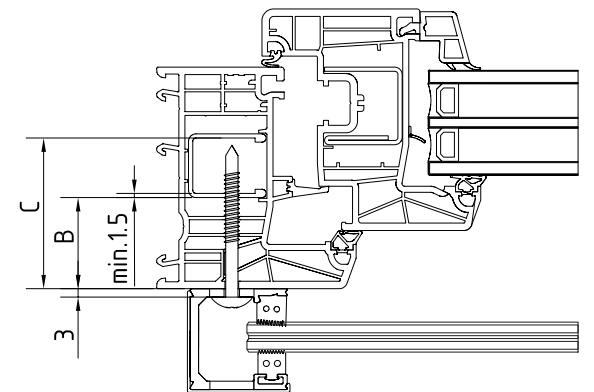
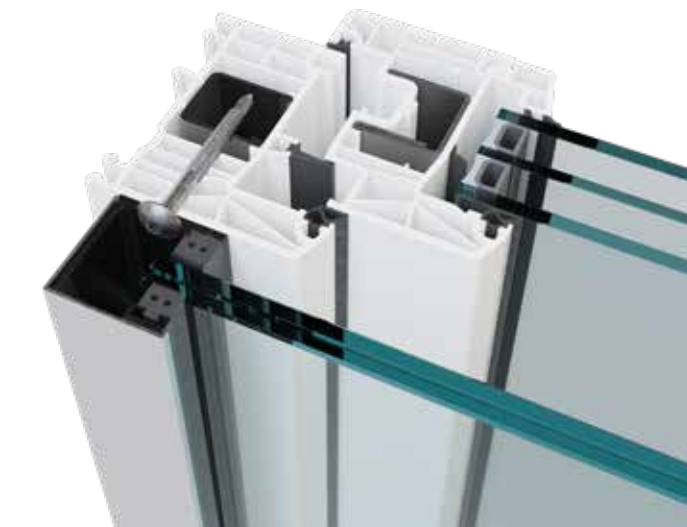



# SKYFORCE | ONTO THE COVER FRAME – PLASTIC

## SKYFORCE, top mount

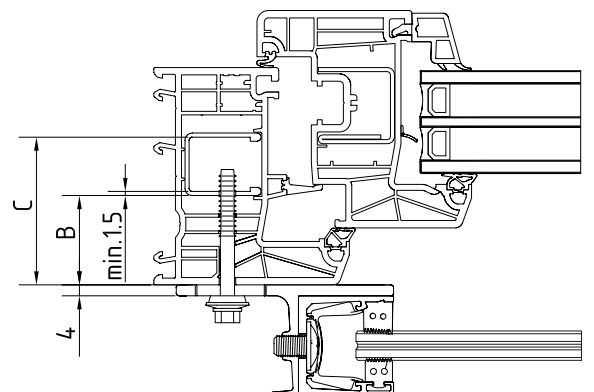


## SKYFORCE SLIM, top mount



 Please keep a distance of at least 5 mm to the wall to clip on the cover after mounting.

## SKYFORCE, T mount



# SKYFORCE | INSTALLATION EXAMPLES

## Fixing screw, self-tapping for plastic frames with steel core, top mount



- | Plastic frame: The screw needs a 1.5 mm steel core in the frame profile.
- | Material: steel, zinc-plated

Model 9005			SALES UNIT 12	SALES UNIT 100
Length	B	C (min.)	Art. no.	Art. no.
45 mm	0 - 14 mm	35 mm	16.9005.604.81	16.9015.604.81
55 mm	15 - 24 mm	45 mm	16.9005.605.81	16.9015.605.81
65 mm	25 - 34 mm	55 mm	16.9005.606.81	16.9015.606.81
75 mm	35 - 44 mm	65 mm	16.9005.607.81	16.9015.607.81
85 mm	45 - 54 mm	75 mm	16.9005.608.81	16.9015.608.81
95 mm	55 - 64 mm	85 mm	16.9005.609.81	16.9015.609.81
105 mm	65 - 74 mm	95 mm	16.9005.610.81	16.9015.610.81
125 mm	75 - 94 mm	115 mm	16.9005.612.81	16.9015.612.81
150 mm	95 - 120 mm	140 mm	16.9005.615.81	16.9015.615.81

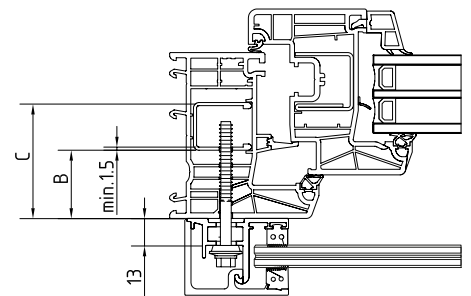
The number of fixings can be taken from the test report.

## Stainless steel fixing screw for plastic frames with steel core, top mount



- | **Not suitable for SKYFORCE SLIM**
- | Ø 6.3
- | The anchors are not self-tapping and must be pre-drilled (16.9011.05x.00).
- | Finish exterior application: V2A
- | Sales unit: 12 pieces

Model 9012		V2A
Length	B	Art. no.
50 mm	0 - 25 mm	16.9012.605.20
64 mm	25 - 40 mm	16.9012.606.20
75 mm	40 - 50 mm	16.9012.607.20
82 mm	50 - 55 mm	16.9012.608.20
92 mm	55 - 65 mm	16.9012.609.20
102 mm	65 - 75 mm	16.9012.610.20
115 mm	75 - 90 mm	16.9012.611.20



## Stainless steel fixing screw, self-tapping for plastic frames with steel core, SKYFORCE SLIM

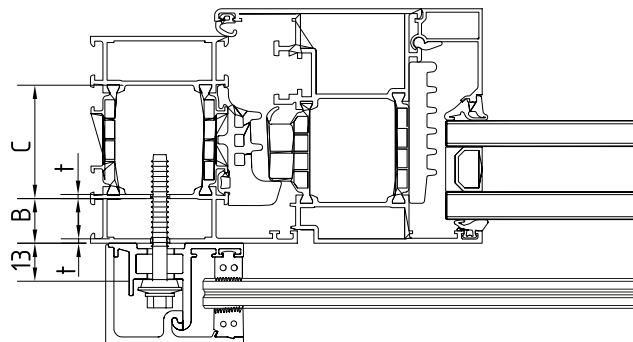
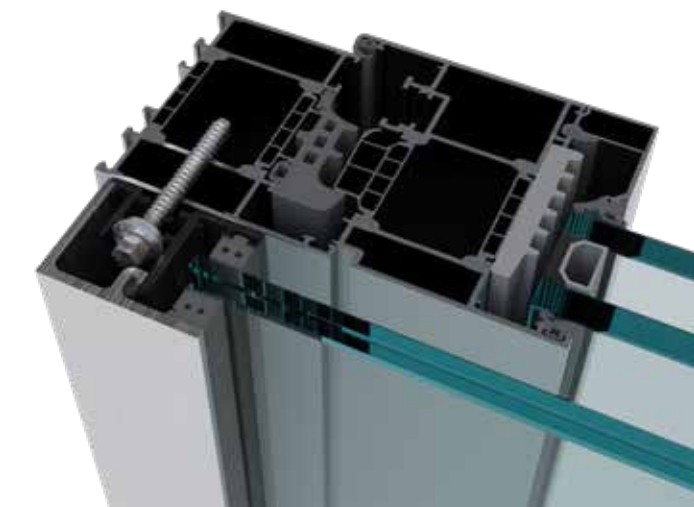


- | Plastic frame: The screw needs a 1.5 mm steel core in the frame profile.
- | Material: AISI 304
- | Ø 5.5

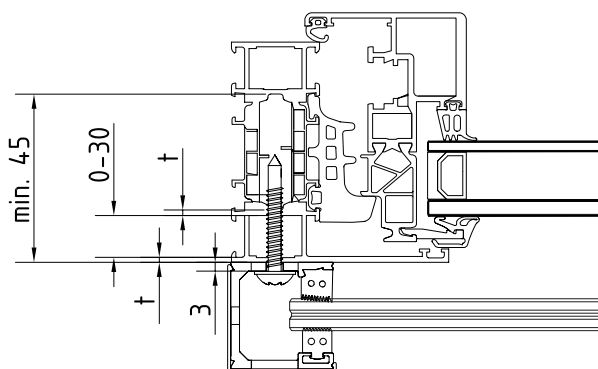
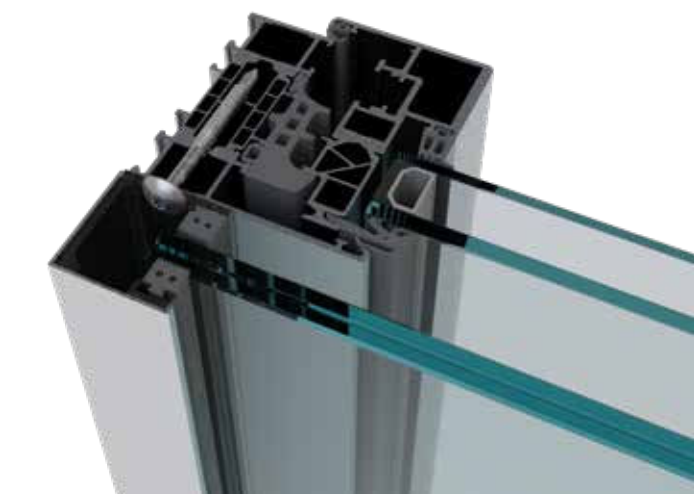
Model 9031/32		SALES UNIT 12	SALES UNIT 100
Length	B	Art. no.	Art. no.
32 mm	0 - 12 mm	16.9032.632.20	16.9031.632.20
50 mm	0 - 30 mm	16.9032.650.20	16.9031.650.20


# SKYFORCE | ONTO THE COVER FRAME – ALUMINIUM

## SKYFORCE, top mount



## SKYFORCE SLIM, top mount



 Please keep a distance of at least 5 mm to the wall to clip on the cover after mounting.

# SKYFORCE | INSTALLATION EXAMPLES

## Fixing screw, self-tapping for aluminium frames, top mount

- | Aluminium frame: The screw needs two walls with "t" total  $\geq 3.2$  mm
- | Aluminium frame: **screw length max. 45 mm**
- | Material: steel, zinc-plated



Model 9005			SALES UNIT 12	SALES UNIT 100
Length	B	C (min.)	Art. no.	Art. no.
45 mm	0 - 14 mm	35 mm	16.9005.604.81	16.9015.604.81

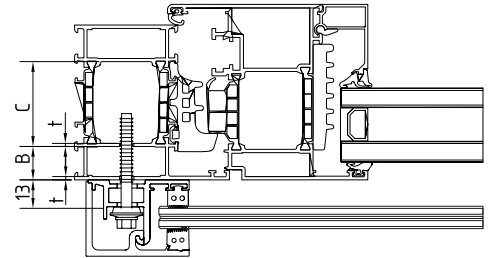
The number of fixings can be taken from the test report.

## Stainless steel fixing screw for aluminium frames, top mount

- | **Not suitable for SKYFORCE SLIM**
- |  $\varnothing 6.3$
- | The anchors are not self-tapping and must be pre-drilled (16.9011.05x.00).
- | Aluminium frame: screw length max. 50 - 82 mm
- | Finish exterior application: V2A
- | Sales unit: 12 pieces



Model 9012		V2A
Length	B	Art. no.
50 mm	0 - 25 mm	16.9012.605.20
64 mm	25 - 40 mm	16.9012.606.20
75 mm	40 - 50 mm	16.9012.607.20
82 mm	50 - 55 mm	16.9012.608.20

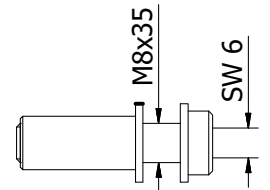


## Fixing anchor for aluminium frames, top mount

- | **Not suitable for SKYFORCE SLIM**
- | Surface finish exterior application: V4A (outside)
- | Sales unit: 12 pieces



Model 9006	V4A (outside)
Art. no.	
16.9006.835.30	



## Stainless steel fixing screw, self-tapping for aluminium frames, SKYFORCE SLIM

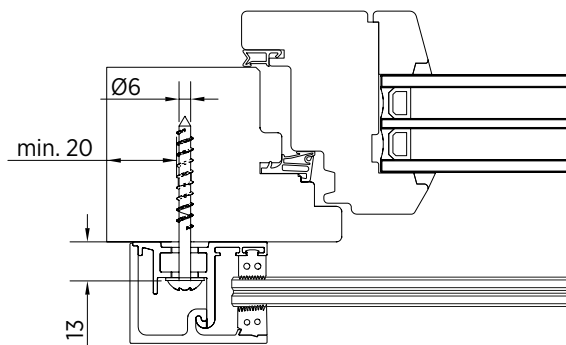
- | Aluminium frame: The screw needs two walls with "t" total  $\geq 3.2$  mm
- | Material: AISI 304
- |  $\varnothing 5.5$



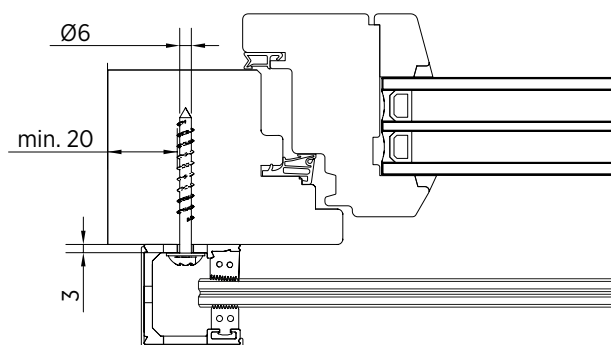
Model 9031/32		SALES UNIT 12	SALES UNIT 100
Length	B	Art. no.	Art. no.
32 mm	0 - 12 mm	16.9032.632.20	16.9031.632.20
50 mm	0 - 30 mm	16.9032.650.20	16.9031.650.20


# SKYFORCE | ONTO THE COVER FRAME – WOOD

## SKYFORCE, top mount

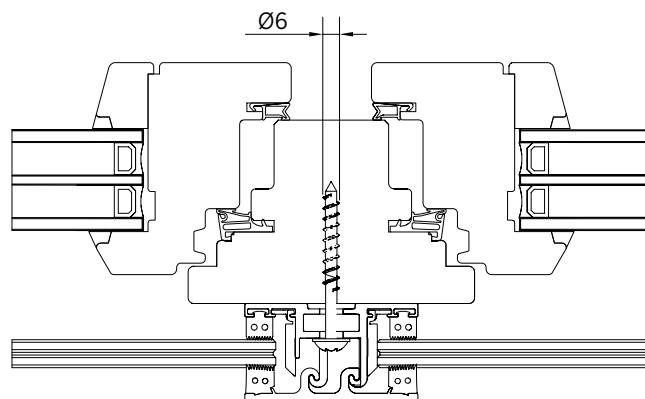


## SKYFORCE SLIM, top mount



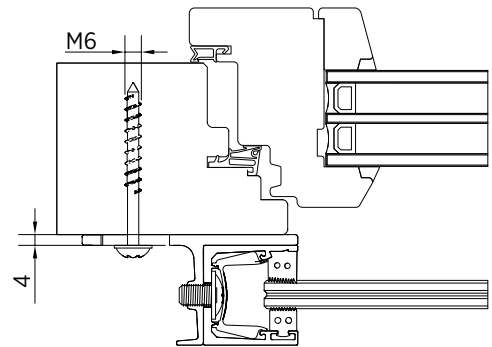
 Please keep a distance of at least 5 mm to the wall to clip on the cover after mounting.

## SKYFORCE central post installation

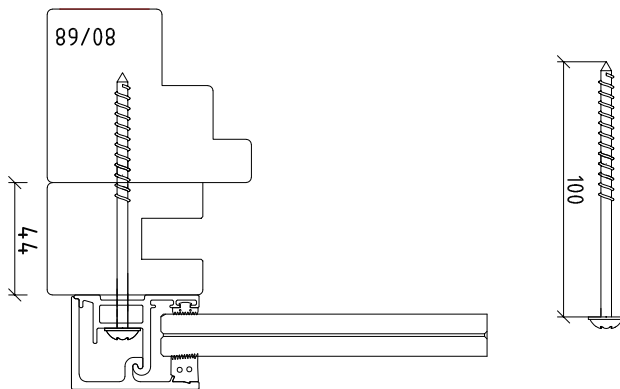


# SKYFORCE | INSTALLATION EXAMPLES

## SKYFORCE, T mount

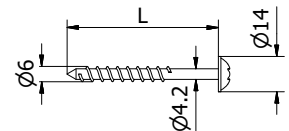


## Skyforce on shutter guide rail - wood



## Fixing anchor for wooden frames, top and side mount

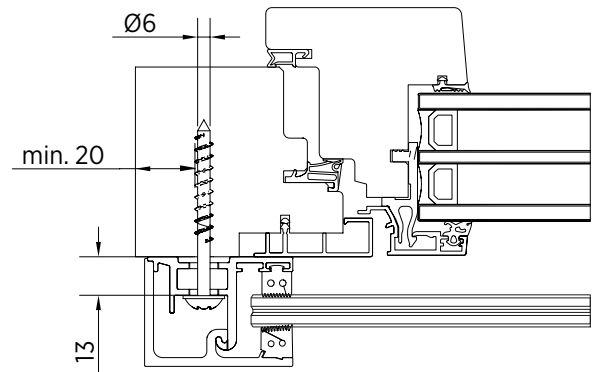
- | Finish exterior application: V4A (outside)
- | Ø 6
- | Sales unit: 12 pieces



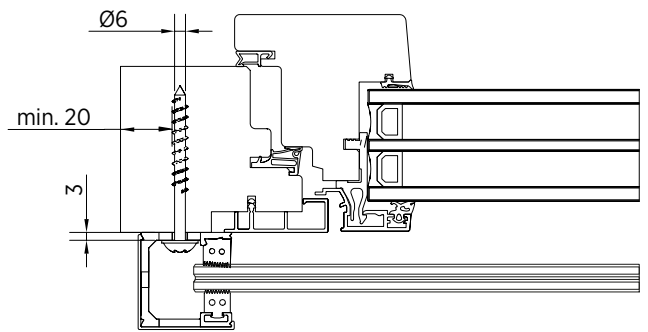
Model 9007	V4A (outside)
Length	Art. no.
60 mm	16.9007.660.30
80 mm	16.9007.680.30
100 mm	16.9007.699.30


# SKYFORCE | ONTO THE COVER FRAME – WOOD-ALUMINIUM

## SKYFORCE, top mount

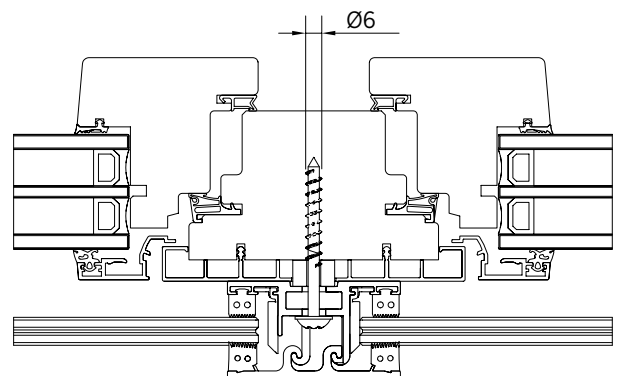
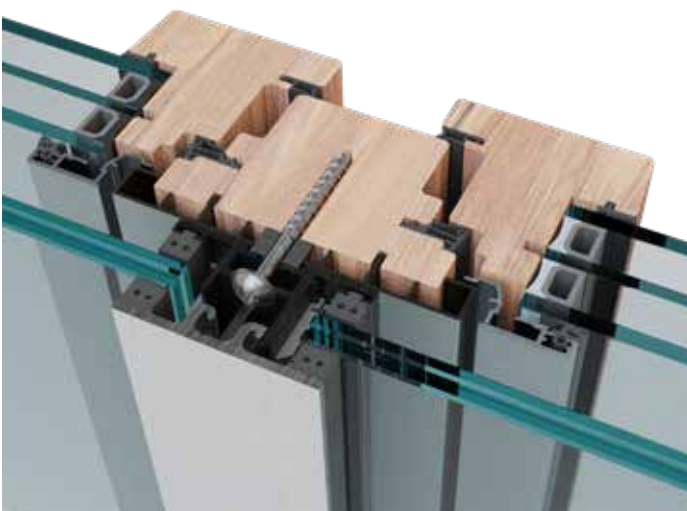


## SKYFORCE SLIM, top mount



 Please keep a distance of at least 5 mm to the wall to clip on the cover after mounting.

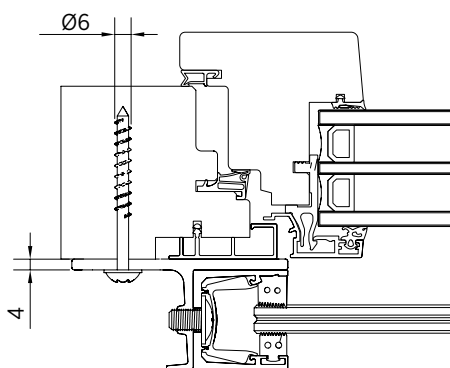
## SKYFORCE central post installation





# SKYFORCE | INSTALLATION EXAMPLES

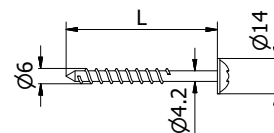
## SKYFORCE, T mount



## Fixing anchor for wooden frames, top and side mount



- | Finish exterior application: V4A (outside)
- |  $\varnothing 6$
- | Sales unit: 12 pieces



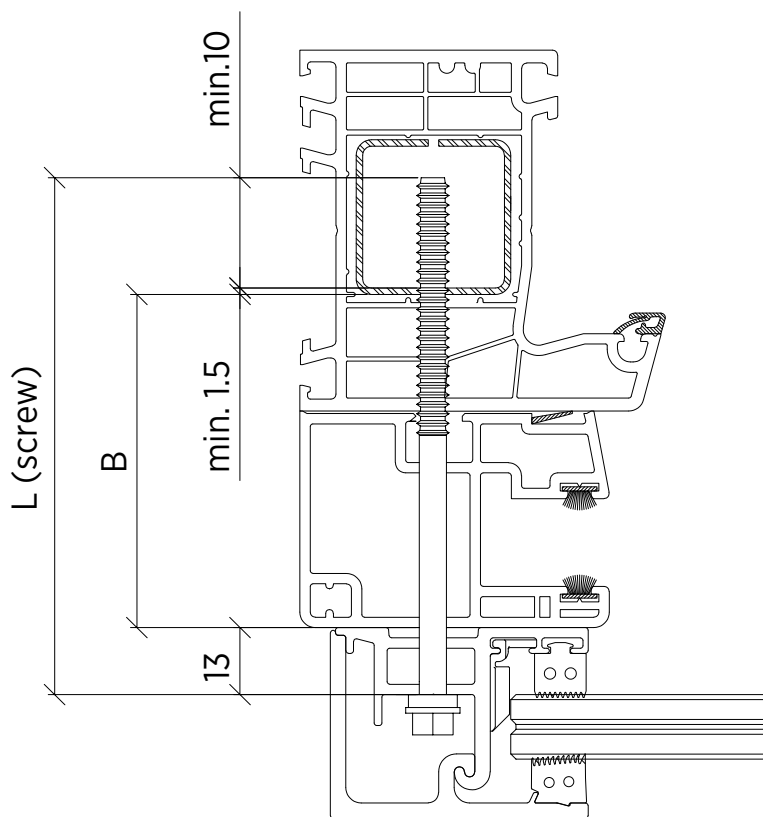
Model 9007	V4A (outside)
Length	Art. no.
60 mm	16.9007.660.30
80 mm	16.9007.680.30
100 mm	16.9007.699.30

# SKYFORCE | SHUTTER GUIDE PROFILE

Shutter guide profile, only for use with SKYFORCE Top



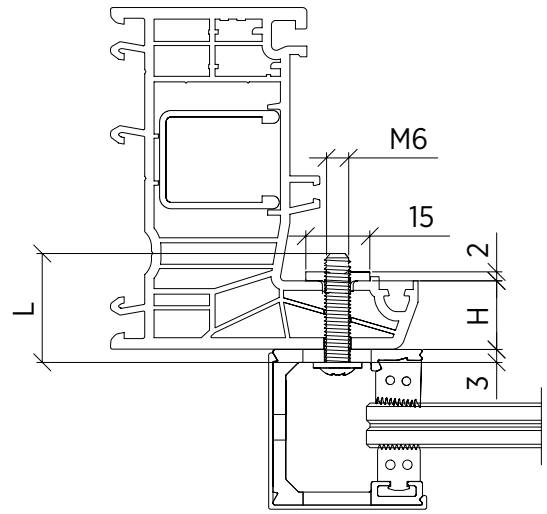
As an option, installation with a distance sleeve is also possible.  
For distance sleeve, see page 37.



$L_{\text{min. screw}} = B + 25\text{mm}$

# SKYFORCE | ONTO THE COVER FRAME – OVERLAPPING

Onto the cover frame, overlapping, only for use with SKYFORCE Slim



$L_{min. (screw)} = H (frame) + 5mm$

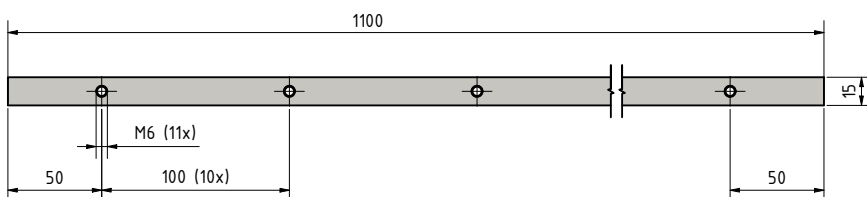
## SKYFORCE Slim mounting strips



- | The mounting strip must be adapted to the height of SKYFORCE.
- | AISI 304
- | Sales unit: 2 mounting strips + 22 screws

- | Suitable drilling template for mounting strips: 90.0100.240.20
- | Matching screws to mounting strips:
  - M6x10mm: 91.1190.610.20-22
  - M6x20mm: 91.1190.620.20-22
  - M6x25mm: 91.1190.625.20-22
  - M6x30mm: 91.1190.630.20-22
  - M6x35mm: 91.1190.635.20-22

Length	Width	Art. no.
1100 mm	15 mm	16.9036.011.20

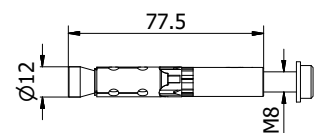


## SKYFORCE SIDE installation



### Fixing anchor for concrete frames, top mount

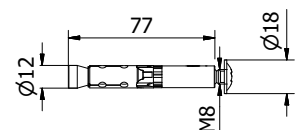
- | **Not suitable for SKYFORCE SLIM**
- | Surface finish exterior application: V4A (exterior)
- | FH II 12 fixing anchor/M8 I A4 + screw M8x30
- | Sales unit: 12 pieces



<b>Model 9009</b>	<b>V4A (outside)</b>
Art. no.	
16.9009.835.30	

### Fixing anchor for concrete frames, side mount

- | Finish exterior application: V4A (outside)
- | FH II 12 fixing anchor/M8 I A4 + screw M8x30
- | Sales unit: 10 pieces



<b>Model 9029</b>	<b>V4A (outside)</b>
Art. no.	
16.9029.835.30	

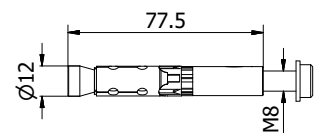
## SKYFORCE SIDE installation



### Fixing anchor for stone frames, top mount



- | **Not suitable for SKYFORCE SLIM**
- | For natural stone with dense structure
- | Finish exterior application: V4A (outside)
- | FH II 12 fixing anchor/M8 I A4 + screw M8x30
- | Sales unit: 12 pieces

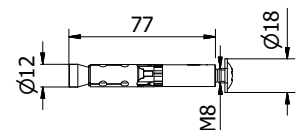


<b>Model 9010</b>	<b>V4A (outside)</b>
Art. no.	
16.9010.835.30	

### Fixing anchor for stone frames, side mount



- | For natural stone with dense structure
- | Finish exterior application: V4A (outside)
- | FH II 12 fixing anchor/M8 I A4 + screw M8x30
- | Sales unit: 10 pieces

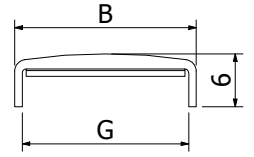


<b>Model 9020</b>	<b>V4A (outside)</b>
Art. no.	
16.9020.835.30	

## Edge protection, self-adhesive, V4A brushed



| Height: 6 mm  
| Thickness: 1 mm  
| Sales unit: 1 piece

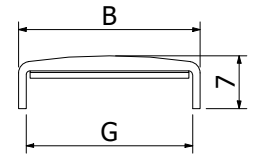


Model 2111		1000 mm	1500 mm	2000 mm	3000 mm	4000 mm
Width	For glass thicknesses	Art. no.	Art. no.	Art. no.	Art. no.	Art. no.
14	10.76 - 11.52 mm	12.2111.141.31	12.2110.141.31	12.2112.141.31	12.2113.141.31	12.2114.141.31
16	12.76 - 13.52 mm	12.2111.161.31	12.2110.161.31	12.2112.161.31	12.2113.161.31	12.2114.161.31
20	16.76 - 17.52 mm	12.2111.201.31	12.2110.201.31	12.2112.201.31	12.2113.201.31	12.2114.201.31
24	20.76 - 21.52 mm	12.2111.241.31	12.2110.241.31	12.2112.241.31	12.2113.241.31	12.2114.241.31

## Edge protection, self-adhesive, aluminium mill finish



| Height: 7 mm  
| Thickness: 1 mm  
| Sales unit: 1 piece

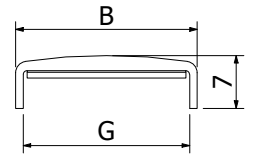


Model 2111		1000 mm	1500 mm	2000 mm	3000 mm	4000 mm
Width	For glass thicknesses	Art. no.	Art. no.	Art. no.	Art. no.	Art. no.
14	10.76 - 11.52 mm	11.2111.141.10	11.2110.141.10	11.2112.141.10	11.2113.141.10	11.2114.141.10
16	12.76 - 13.52 mm	11.2111.161.10	11.2110.161.10	11.2112.161.10	11.2113.161.10	11.2114.161.10
20	16.76 - 17.52 mm	11.2111.201.10	11.2110.201.10	11.2112.201.10	11.2113.201.10	11.2114.201.10
24	20.76 - 21.52 mm	11.2111.241.10	11.2110.241.10	11.2112.241.10	11.2113.241.10	11.2114.241.10
28	25 - 25.52 mm	11.2111.281.10	11.2110.281.10	11.2112.281.10	11.2113.281.10	11.2114.281.10

## Edge protection, self-adhesive, aluminium plain anodised



| Height: 7 mm  
| Thickness: 1 mm  
| Sales unit: 1 piece

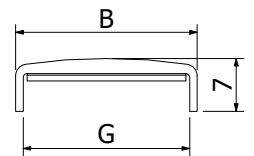


Model 2111		1000 mm	1500 mm	2000 mm	3000 mm	4000 mm
Width	For glass thicknesses	Art. no.	Art. no.	Art. no.	Art. no.	Art. no.
14	10.76 - 11.52 mm	11.2111.141.11	11.2110.141.11	11.2112.141.11	11.2113.141.11	11.2114.141.11
16	12.76 - 13.52 mm	11.2111.161.11	11.2110.161.11	11.2112.161.11	11.2113.161.11	11.2114.161.11
20	16.76 - 17.52 mm	11.2111.201.11	11.2110.201.11	11.2112.201.11	11.2113.201.11	11.2114.201.11
24	20.76 - 21.52 mm	11.2111.241.11	11.2110.241.11	11.2112.241.11	11.2113.241.11	11.2114.241.11
28	25 - 25.52 mm	11.2111.281.11	11.2110.281.11	11.2112.281.11	11.2113.281.11	11.2114.281.11

## Edge protection, self-adhesive, aluminium RAL



| Height: 7 mm  
| Thickness: 1 mm  
| Sales unit: 1 piece, minimum order quantity 5 units

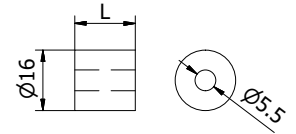


Model 2111		1000 mm	1500 mm	2000 mm	3000 mm	4000 mm
Width	For glass thicknesses	Art. no.	Art. no.	Art. no.	Art. no.	Art. no.
14	10.76 - 11.52 mm	11.2111.141.xx	11.2110.141.xx	11.2112.141.xx	11.2113.141.xx	11.2114.141.xx
16	12.76 - 13.52 mm	11.2111.161.xx	11.2110.161.xx	11.2112.161.xx	11.2113.161.xx	11.2114.161.xx
20	16.76 - 17.52 mm	11.2111.201.xx	11.2110.201.xx	11.2112.201.xx	11.2113.201.xx	11.2114.201.xx
24	20.76 - 21.52 mm	11.2111.241.xx	11.2110.241.xx	11.2112.241.xx	11.2113.241.xx	11.2114.241.xx
28	25 - 25.52 mm	11.2111.281.xx	11.2110.281.xx	11.2112.281.xx	11.2113.281.xx	11.2114.281.xx

## Distance sleeve for fixing anchor



- | Suitable for use with the shutter guide rail and wooden and aluminium frames (can be trimmed to size on site)
- | Diameter: 16 mm
- | Aluminium
- | Sales unit: 10 pieces



Model 9320	Black anodised	RAL
Length	Art. no.	Art. no.
10.5 mm	16.9320.010.15	16.9320.010.13/16/18
16 mm	16.9320.016.15	16.9320.016.13/16/18
20.5 mm	16.9320.020.15	16.9320.020.13/16/18
65 mm	16.9320.065.15	16.9320.020.13/16/18

## SKYFORCE mounting tool



- | Mounting aid for rubber seal
- | Sales unit: 1 piece

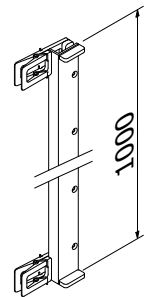
Tool	Art. no.
	90.0100.105.00

## SKYFORCE SLIM, positioning tool



Would you like to position SKYFORCE SLIM quickly and precisely for overlap mounting? Then our drill hole positioning tool is your ideal helper.

- | Simply clip it onto the window frame.
- | Automatic horizontal alignment (together with art. no. 16.9036.011.20)
- | Continuous height adjustment
- | With contact surface for a spirit level used for adjusting the height on the opposite side
- | The tool is powder-coated to protect the window frame from scratches.



Tool	Art. Nr.
	90.0100.240.00

# SKYFORCE FORTRESS

The first completely pre-assembled installation for French balconies made of aluminium with all required inspections included.

## SKYFORCE FORTRESS

Our lightweight comes in an all-inclusive package “made-to-measure”. Manufactured completely in aluminium as per customer request, the system is supplied in one piece, as a block. As with **SKYFORCE** in general, also the **SKYFORCE FORTRESS** complete system can be mounted as easily as can be on different substrates - in addition, overlap mounting is possible as well.

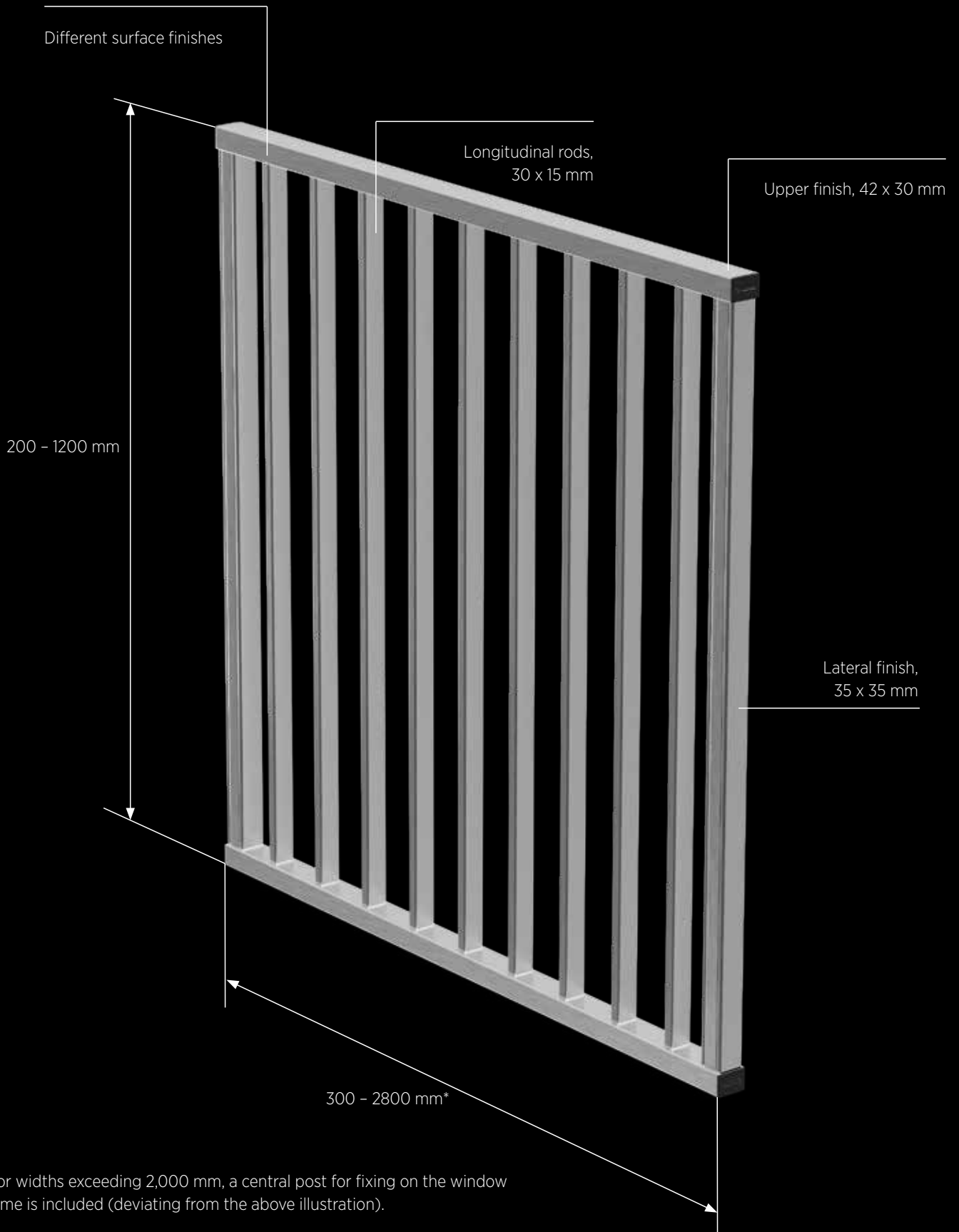
For ONLEVEL, YOU are the measure of all things. By the way, also the screws are covered or concealed behind the cover profile. FORTRESS is available in all kinds of powder coatings, and for aggressive environments, e. g. at the sea, even in our pre-anodised and then powder-coated variant “ARMOR RAL”.

---

### Essential Features

- | Made-to-measure
- | Pre-assembled
- | Solution for French balconies with all required inspections
- | System can be mounted approximately 40% faster than standard steel constructions
- | On the frame, on the overlap and on masonry
- | Available in aluminium and all desired powder-coated surfaces
- | No welding needed
- | Tested, safe, faster, nicer, cheaper





# SKYFORCE FORTRESS | STANDARD COLOURS

## Surface finish code for your FORTRESS order

- .10 Aluminium, mill finish
- .13 RAL glossy
- .16 RAL structured matt
- .18 RAL matt
- .19 **ARMOR RAL** (pre-ionised and powder-coated for increased stress, e. g. near the coast)

### EXAMPLE

You order your Fortress with article number **16.9641.110.16** and receive it with “fine structure matt” surface finish and a colour of your choice.

If you’d like to learn more about our colour structures, you can order one of our colour charts – art. no.: **85.7003.001.00** at [info@onlevel.com](mailto:info@onlevel.com).

## ARMOR RAL

Wherever you are, SKY**FORCE** FORTRESS will always be with you, protecting you in a loving embrace which keeps all evil away from you. Take SKY**FORCE** FORTRESS by the hand and you’ll work through this together: in any wind and weather, and for buildings in coastal areas.

As where the sea shows its powerful side is where surfaces are most relentlessly attacked. The damage caused by the increased formation of corrosion can still be noted even deep into the interior of the country. Such damage can also occur in climatic spas, swimming pools and on ships.

The code or the last digit **.19** is for your safety!

## Our Colour Selection



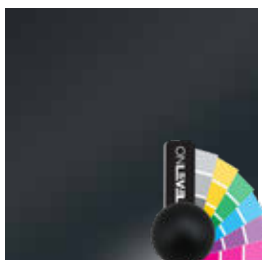
.10 Aluminium, mill finish



.13 RAL glossy



.16 RAL fine structure matt



.18 RAL matt



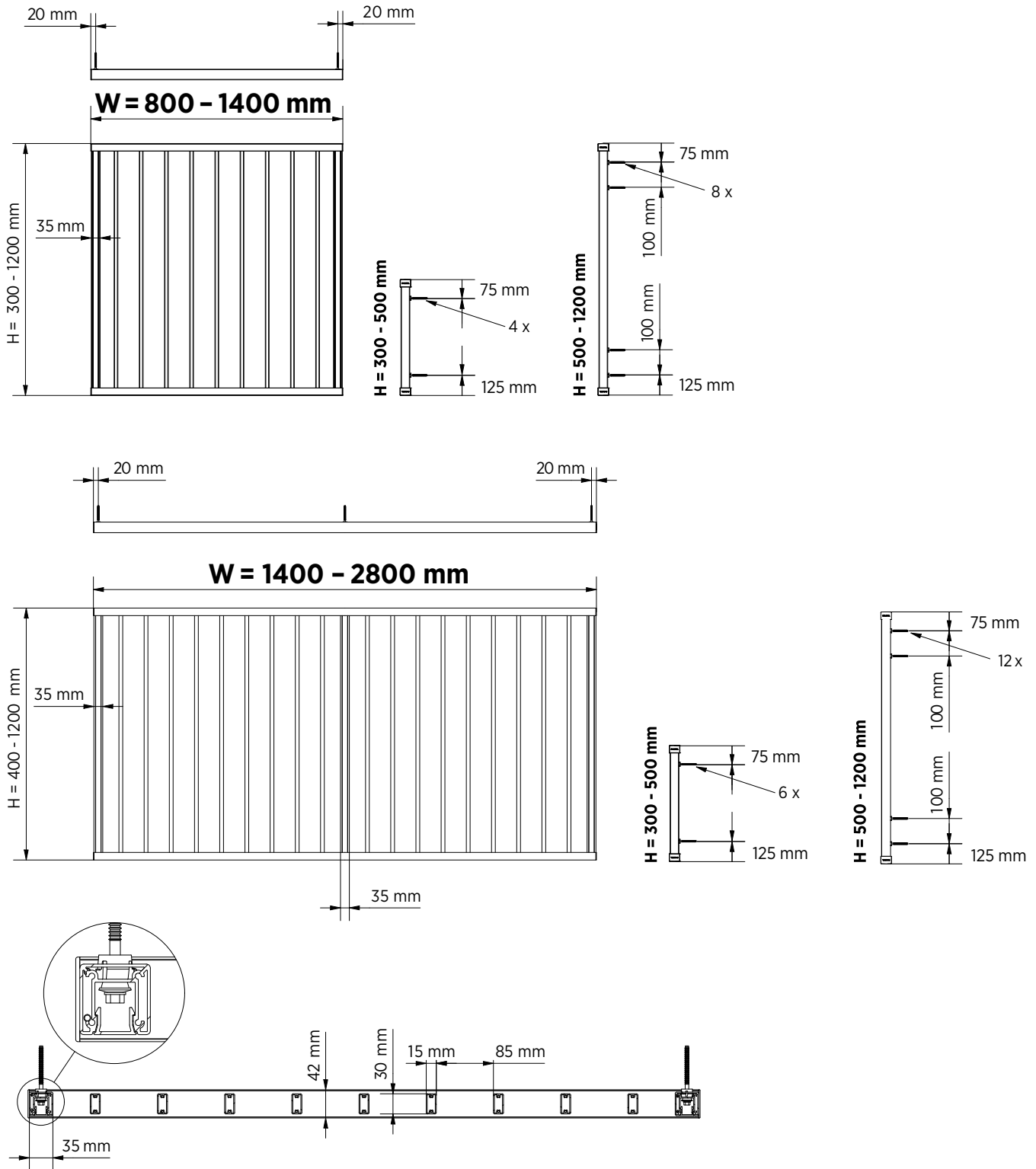
.19 **ARMOR RAL**

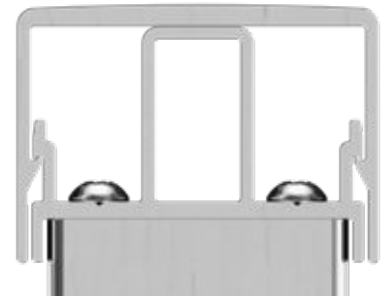
**YOUR PREFERRED COLOUR?** We will of course deliver your desired RAL or NCS colour.



# SKYFORCE FORTRESS | INFORMATION

## SKYFORCE FORTRESS dimensions





- i** Each vertical rod has been screw-fixed twice on top and on bottom. The right and left side profiles have been screw-fixed four times on top and bottom.

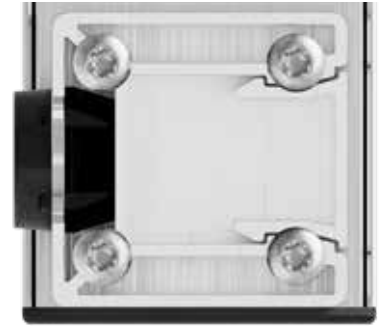


- i** Screw heads and drill holes are concealed behind a cover profile and covered with plug-in plastic caps at the corners.



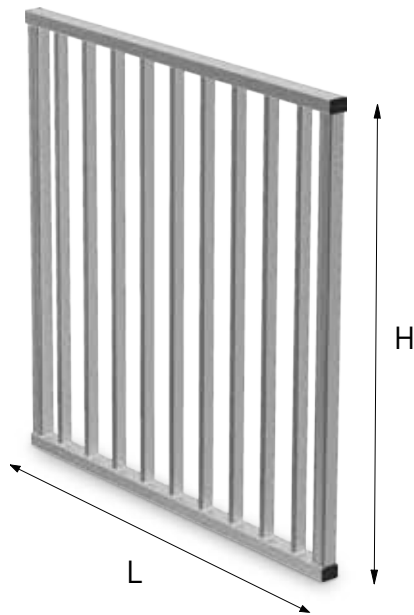
- i** The side profiles have 8 mounting holes in total on the rear (two per corner). A plastic spacer is clipped into these mounting holes. The number of required screws is determined depending on the load bearing capacity of the substrate and the fixing type.

# SKYFORCE FORTRESS | INFORMATION



**i** The fixing screws are located in a screw channel that can be accessed from the front. After installation, this channel is covered with a cover profile.

## SKYFORCE FORTRESS set



| Complete set, pre-assembled  
| Sales unit: 1 piece

xx	Finish
10	Aluminium, mill finish
13	Aluminium, RAL glossy
16	Aluminium, RAL structured
18	Aluminium, RAL matt
19	Aluminium, ARMOR RAL

For screws, see next page.

Height/length	L = 1000 mm	L = 1300 mm	L = 1500 mm	L = 1800 mm	L = 2000 mm	L = 2500 mm	L = 3000 mm
H = 1100 mm	16.9641.110.xx	16.9641.113.xx	16.9641.115.xx	16.9641.118.xx	16.9641.120.xx	16.9641.125.xx	16.9641.130.xx
H = 1000 mm	16.9641.010.xx	16.9641.013.xx	16.9641.015.xx	16.9641.018.xx	16.9641.020.xx	16.9641.025.xx	16.9641.030.xx
H = 900 mm	16.9640.910.xx	16.9640.913.xx	16.9640.915.xx	16.9640.918.xx	16.9640.920.xx	16.9640.925.xx	16.9640.930.xx

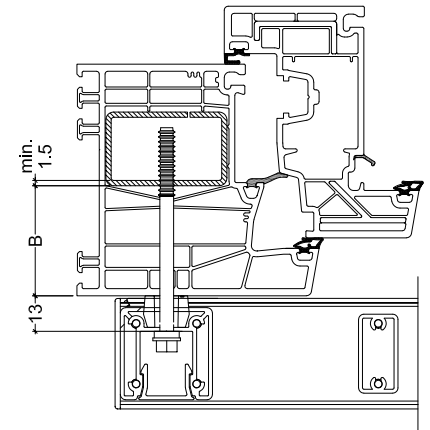
# SKYFORCE FORTRESS | ANCHORS

## Stainless steel fixing screw for plastic frames with steel core



- | Ø 6.3
- | The anchors are not self-tapping and must be pre-drilled (16.9011.05x.00).
- | Finish exterior application: V2A
- | Required number: 8 pieces per SKYFORCE FORTRESS
- | Sales unit: 12 pieces

Model 9012		V2A
Length	B	Art. no.
50 mm	0 - 25 mm	16.9012.605.20
64 mm	25 - 40 mm	16.9012.606.20
75 mm	40 - 50 mm	16.9012.607.20
82 mm	50 - 55 mm	16.9012.608.20
92 mm	55 - 65 mm	16.9012.609.20
102 mm	65 - 75 mm	16.9012.610.20
115 mm	75 - 90 mm	16.9012.611.20

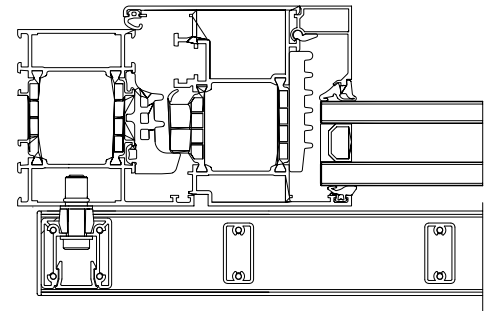


## Fixing anchor for aluminium frames



- | Finish exterior application: V4A (outside)
- | Required number: 4 pieces per FORTRESS
- | Sales unit: 12 pieces

Model 9006	V4A (outside)
Art. no.	
16.9006.835.30	

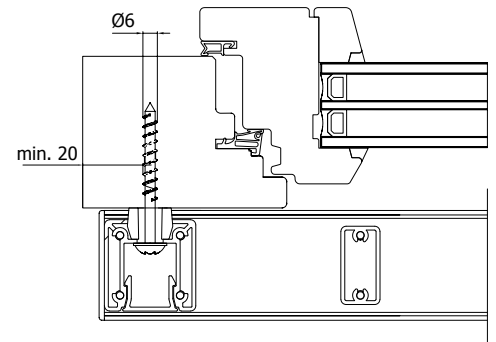


## Fixing anchor for wooden frames



- | Finish exterior application: V4A (outside)
- | Diameter Ø 6
- | Required number: 4 pieces per FORTRESS
- | Sales unit: 12 pieces

Model 9007	V4A (outside)
Length	Art. no.
60 mm	16.9007.660.30
80 mm	16.9007.680.30
100 mm	16.9007.699.30

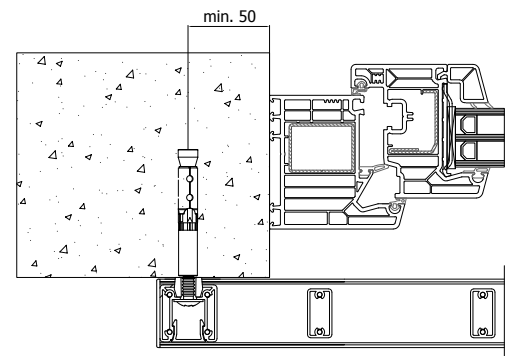


## Fixing anchor for concrete frames



- | Finish exterior application: V4A (exterior)
- | FH II 12 fixing anchor/M8 I A4 + screw M8 x 30
- | Required number: 4 pieces per FORTRESS
- | Sales unit: 10 pieces

Model 9029	V4A (exterior)
Art. no.	
16.9029.835.30	





# ONLEVEL

**ONLEVEL Ltd.** | Units 6 & 7, Alexandria Court | Alexandria Drive  
Ashton Commerce Park | Ashton-under-Lyne | Lancashire OL7 0QN | United Kingdom  
T +44 0161 804 9500 | F +44 0161 804 9505 | [info@onlevel-uk.com](mailto:info@onlevel-uk.com) | [www.onlevel.com](http://www.onlevel.com)